

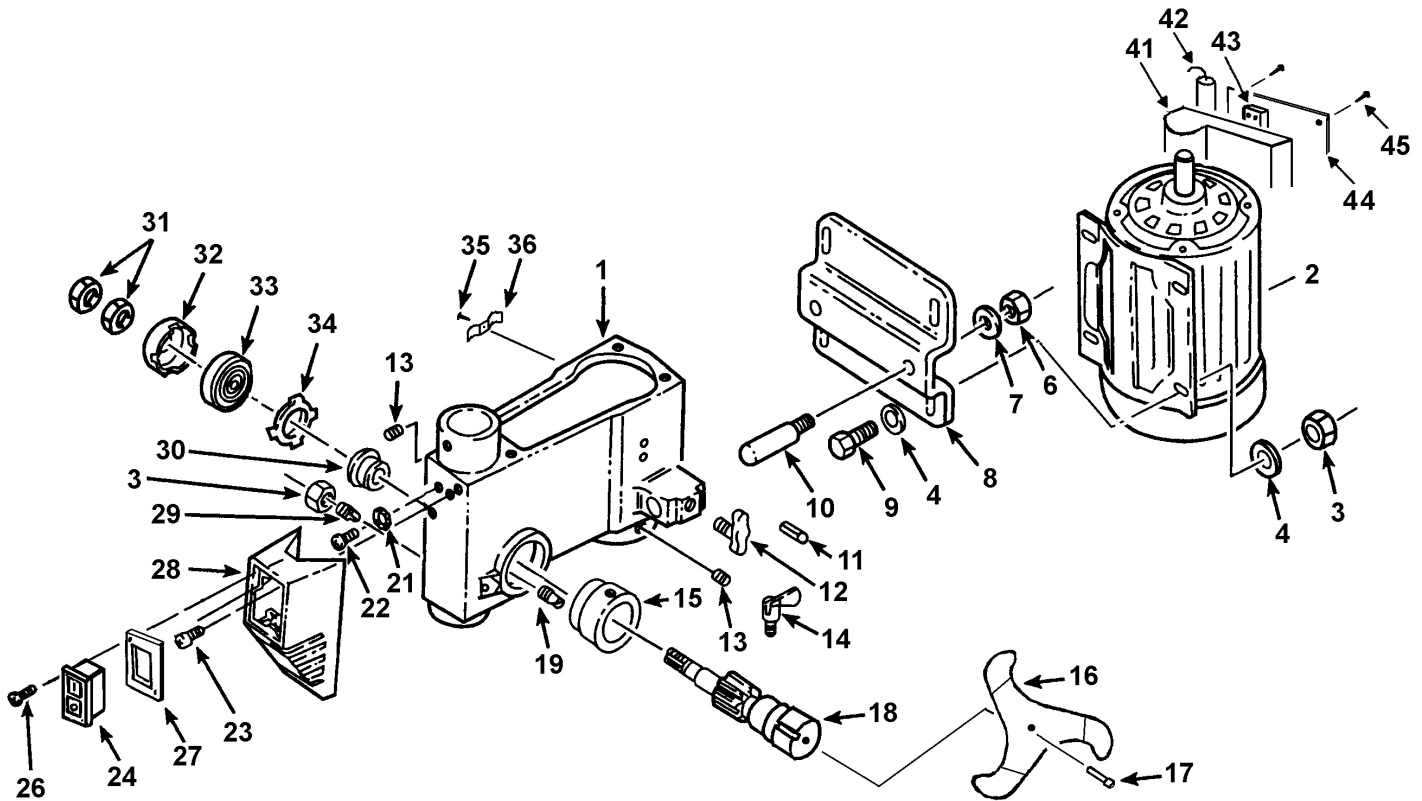
Item	Part No.	Description
1	MSP512.SB	Machine Screw Pan Head Phillips M5x12mm Black
2	PDM100B-1-02	Pivot Idler
3	PDM100B-1-03	Pulley Centre
4	B/6202ZZ	Bearing 6202ZZ
5	V/M21-1/4	V-Belt (ID-540) M21-1/4
6	PDM100B-1-06	Guard Pulley
7	PDM100B-1-07	Pulley Motor
8	GSM815.S	Grub Screw M8x15 (Single)
9	PDM260F-3-10	Screw RD HD Washer M6x1.0-16
10	PDM155B-3-18	Foam Washer
11	PDM100B-1-11	Ring Retaining
12	PDM100B-1-12	Gasket Quill
13	B/6201ZZ	Bearing 6201ZZ

Item	Part No.	Description
14	PDM100B-1-14	Tube Quill
15	PDM100B-1-15	Ring Retaining
16	B/6203ZZ	Bearing 6203ZZ
17	PDM100B-1-17	Spacer
18	PDM100B-1-18	Insert-Pulley
19	PDM100B-1-19	Pulley-Spindle
20	PDM170F-3-05	Pulley Half Nut
21	B/6204ZZ	Bearing 6204ZZ
22	PDM100B-1-22	Spindle
23	PDM100B-1-23	Arbor
24	PDM170F-2-08	Chuck J3 1-16mm
25	GDM92B/44	Chuck Key
26	PDM.MS	Micro Switch For PDM Drills

**NOTE:** It is our policy to continually improve products and as such we reserve the right to alter data, specifications and component parts without prior notice.

**IMPORTANT:** No liability is accepted for incorrect use of product.

**WARRANTY:** Guarantee is 12 months from purchase date, proof of which will be required for any claim.



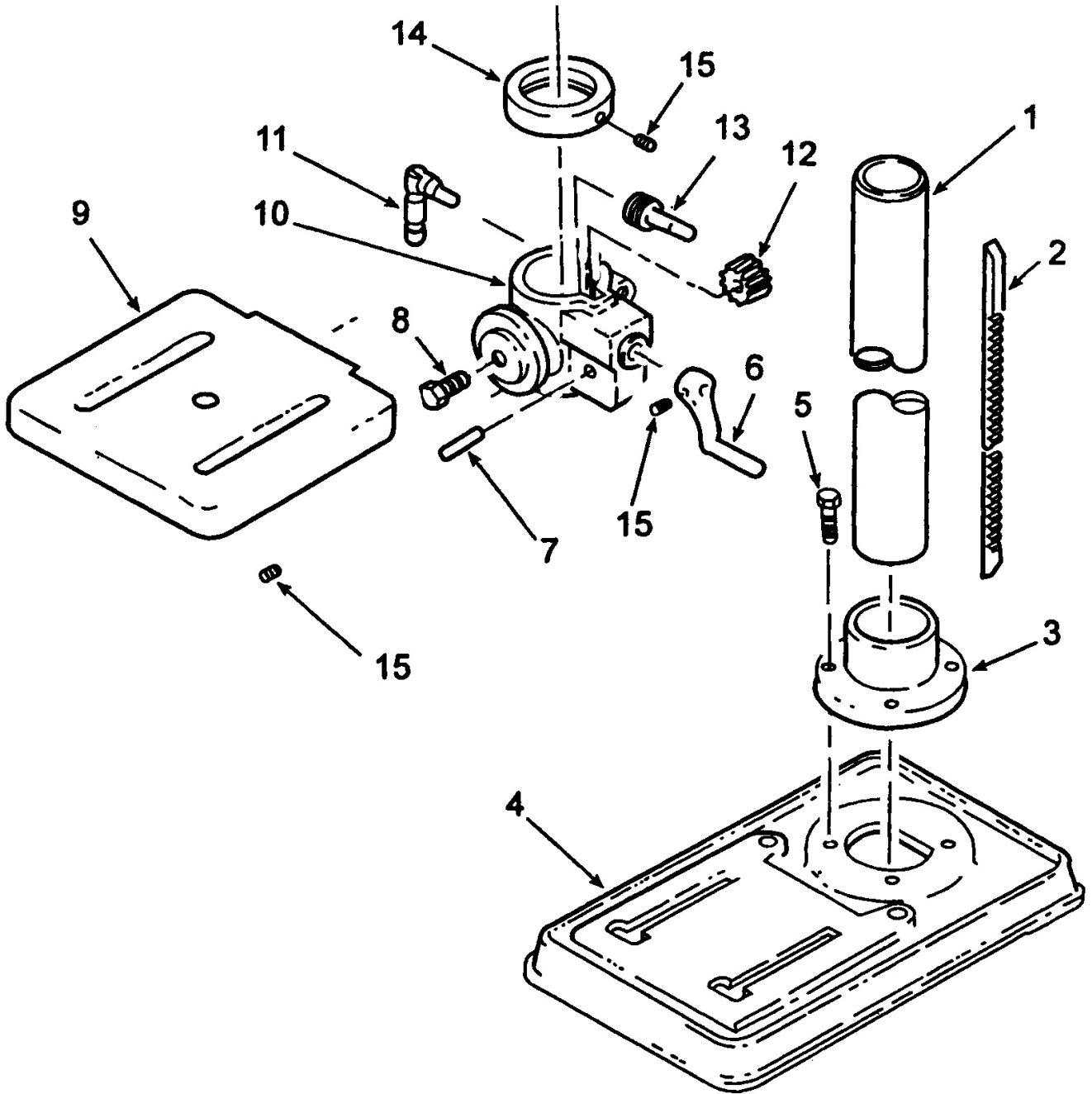
Item	Part No.	Description
1	PDM100B-2-01	Head
2	PDM125B-4-43	Motor (External 230V 50HZ)
3	SN8.SB	Steel Nut M8 Black (Single)
4	PDM155B-4-39	Washer
6	SN10.SB	Steel Nut M10 Black (Single)
7	SWM10.SB	Spring Washer M10 Black(Single)
8	PDM100B-2-08	Bracket-Motor
9	SS825.SB	Hex Head Set Screw M8x25mm Single Black
10	PDM100B-2-10	Support-Motor Bracket
11	PDM100B-2-11	Roll Pin 6x16
12	PDM100B-2-12	Knob-Motor Adjusting
13	GSM88.S	Grub Screw M8x8 (Single)
14	PDM155B-4-06	Lock Depth Screw
15	PDM170F-4-05	Depth Stop Ring
16	PDM170F-4-09	Handle
17	SCB820.SB	Socket Head Cap Screw M8x20 Black
18	PDM100B-2-18	Hub
19	PDM100B-2-19	Pin-Stop
21	PDM100B-2-21	Lockwasher-Ext.5mm

Item	Part No.	Description
22	MSP58.SB	Machine Screw Pan Head Phillips M5x8mm Black
23	PDM100B-2-23	Screw-Panhead M5x0.8-12
24	PDM100B-2-24	Switch
26	PDM100B-2-26	Screw-Self Tap Panhead
27	PDM100B-2-27	Switch Plate Cover
28	PDM100B-2-28	Box-Switch
29	PDM100B-2-29	Screw -Special Set
30	PDM100B-2-30	Seat-Spring
31	SN10.SB	Steel Nut M10 Black (Single)
32	PDM100B-2-32	Cap-Spring
33	PDM100B-2-33	Spring-Torsion
34	PDM100B-2-34	Retainer-Spring
35	PDM170F-4-35	Screw
36	PDM155B-4-36	Cord Clamp
41	PDM170F-4-49	Terminal Box
42	C/100-250	Capacitor 100MFD 250VAC (60x40)
43	PDM155B-4-52	Terminal Block
44	PDM170F-4-49	Terminal Box
45	PDM100B-2-45	Screw

**NOTE:** It is our policy to continually improve products and as such we reserve the right to alter data, specifications and component parts without prior notice.

**IMPORTANT:** No liability is accepted for incorrect use of product.

**WARRANTY:** Guarantee is 12 months from purchase date, proof of which will be required for any claim.



Item	Part No.	Description
1	PDM100B-3-01	Tube-Column
2	PDM100B-3-02	Rack
3	PDM100B-3-03	Support Column
4	PDM100B-3-04	Base
5	PDM100B-3-05	Screw-Hex HD.M8x1.5-20
6	PDM170F-1-04	Crank
7	PDM100B-3-07	Shaft-Gear
8	PDM100B-3-08	Screw-Hex HD.M12x1.75-22

Item	Part No.	Description
9	PDM100B-3-09	Table
10	PDM100B-3-10	Support-Table
11	PDM240F-1-07	Table Clamp
12	PDM100B-3-12	Gear-Helical
13	PDM100B-3-13	Worm-Elevation
14	PDM100B-3-14	Collar-Rack
15	GSM610.S	Grub Screw M6x10 (Single)
--	DPG95	Drill Press Guard 55mm (NOT SHOWN)

**NOTE:** It is our policy to continually improve products and as such we reserve the right to alter data, specifications and component parts without prior notice.

**IMPORTANT:** No liability is accepted for incorrect use of product.

**WARRANTY:** Guarantee is 12 months from purchase date, proof of which will be required for any claim.