

**NOTE:** It is our policy to continually improve products and as such we reserve the right to alter data, specifications and component parts without prior notice.

**IMPORTANT:** No liability is accepted for incorrect use of product.

**WARRANTY:** Guarantee is 12 months from purchase date, proof of which will be required for any claim.



Parts Information:  
**Petrol Pressure Washer 220bar 10ltr/min**  
**6.5hp**  
**Model No: PCM2500.V2**

Item	Part No.	Description
1	PCM2500.01	RECOIL STARTER COMPLETE
2	PCM2500.02	SWITCH
3	PCM2500.03	FAN COVER COMPLETE
4	PCM2500.04	SHROUD COMPLETE
5	PCM2500.05	FLANGE NUT M16 LEFT HAND THREAD
6	PCM2500.06	STARTER PULLEY
7	PCM2500.07	COOLING FAN
8	PCM2500.08	FLYWHEEL COMPLETE
9	PCM2500.09	SIDE PLATE
10	GG2800.RS7	DIODE
11	SFS612.S	HEX HEAD FLANGE BOLT M6x12 SINGLE
12	PCM2500.12	IGNITION COIL ASS'Y
13	SFS612.S	HEX HEAD FLANGE BOLT M6x12 SINGLE
14	PCM2500.14	FLANGE BOLT M10X16
15	PCM2500.15	DRAIN WASHER
16	PCM2500.16	OIL SEAL (25 x 41.25 x 6)
17	PCM2500.17	CRANKCASE ASS'Y
18	PCM2500.18	CARBURETOR ASS'Y
19	PCM2500.19	CARBURETOR PACKING
20	PCM2500.20	CARBURETOR INSULATOR
21	PCM2500.21	INSULATOR PACKING
22	PCM2500.22	CHOKE LEVEL COMPLETE
23	PCM2500.23	AIR CLEANER PACKING
24	PCM2500.24	BOLT HEAD M6X113
25	PCM2500.25	CYLINDER HEAD COMPLETE
26	PCM2500.26	DOWEL PIN (10x16)
27	PCM2500.27	CYLINDER HEAD GASKET
28	PCM2500.28	SPARK PLUG
29	PCM2500.52	FLANGE BOLT M8X32
30	PCM2500.30	FLANGE BOLT M8X55
31	PCM2500.31	ROCKER COVER GASKET
32	PCM2500.32	HEAD COVER COMPLETE
33	PCM2500.33	BREATHER HOSE
34	PCM2500.34	VALVE ROCKER ARM ASS'Y
35	PCM2500.35	PUSHROD GUIDE PLATE
36	PCM2500.36	PUSHROD
37	PCM2500.37	VALVE LIFTER
38	PCM2500.38	CAMSHAFT ASS'Y
39	PCM2500.39	VALVE, EX.

Item	Part No.	Description
40	PCM2500.40	VALVE, IN.
41	PCM2500.41	VALVE SPRING SEAT
42	PCM2500.42	VALVE SPRING
43	PCM2500.43	VALVE SPRING RETAINER, EX.
44	PCM2500.44	VALVE SPRING RETAINER, IN.
45	PCM2500.45	VALVE ROTATOR
46	PCM2500.46	CONNECTING ROD ASS'Y
47	PCM2500.47	PISTON PIN CLIP
48	PCM2500.48	PISTON PIN
49	PCM2500.49	PISTON
50	PCM2500.50	PISTON RING SET
51	PCM2500.51	OIL FILLER CAP
52	PCM2500.52	FLANGE BOLT M8X32
53	PCM2500.53	CRANKCASE COVER ASS'Y
54	PCM2500.54	DOWEL PIN (8x14)
55	PCM2500.55	OIL FILLER CAP ASS'Y
56	PCM2500.56	CASE COVER PACKING
57	PCM2500.57	GOVERNOR ASS'Y
58	PCM2500.58	SHAFT, GOVERNOR ASS'Y
59	B/6025	BEARING 6025
60	PCM2500.60	OIL LEVEL SWITCH ASS'Y
61	PCM2500.61	CONTROL ASS'Y
62	PCM2500.62	GOVERNOR SPRING
63	PCM2500.63	GOVERNOR ARM
64	PCM2500.64	THROTTLE RETURN SPRING
65	PCM2500.65	GOVERNOR ROD
66	FN6.S	FLANGE NUT SERRATED M6 ZINC (SINGLE)
67	PCM2500.67	AIR CLEANER ASS'Y
69	PCM2500.69	AIR FILTER ELEMENT
72	PCM2500.72	TUBE CLIP
73	PCM2500.73	FUEL TUBE
74	PCM2500.74	RUBBER SUPPORT
75	PCM2500.75	FLANGE BOLT M6X25
76	PCM2500.76	FUEL TANK JOINT
77	PCM2500.77	FUEL TANK ASS'Y
--	SL20050018	FILLING CAP GREY D.76 (NOT SHOWN)
82	PCM2500.82	MUFFLER ASS'Y
86	PCM2500.86	CRANKSHAFT COMPLETE
87	SFS68.S	HEX HEAD FLANGE BOLT M6x8 SINGLE

**NOTE:** It is our policy to continually improve products and as such we reserve the right to alter data, specifications and component parts without prior notice.

**IMPORTANT:** No liability is accepted for incorrect use of product.

**WARRANTY:** Guarantee is 12 months from purchase date, proof of which will be required for any claim.

**Sealey Group**, Kempson Way, Suffolk Business Park, Bury St Edmunds, Suffolk. IP32 7AR



01284 757500



01284 703534



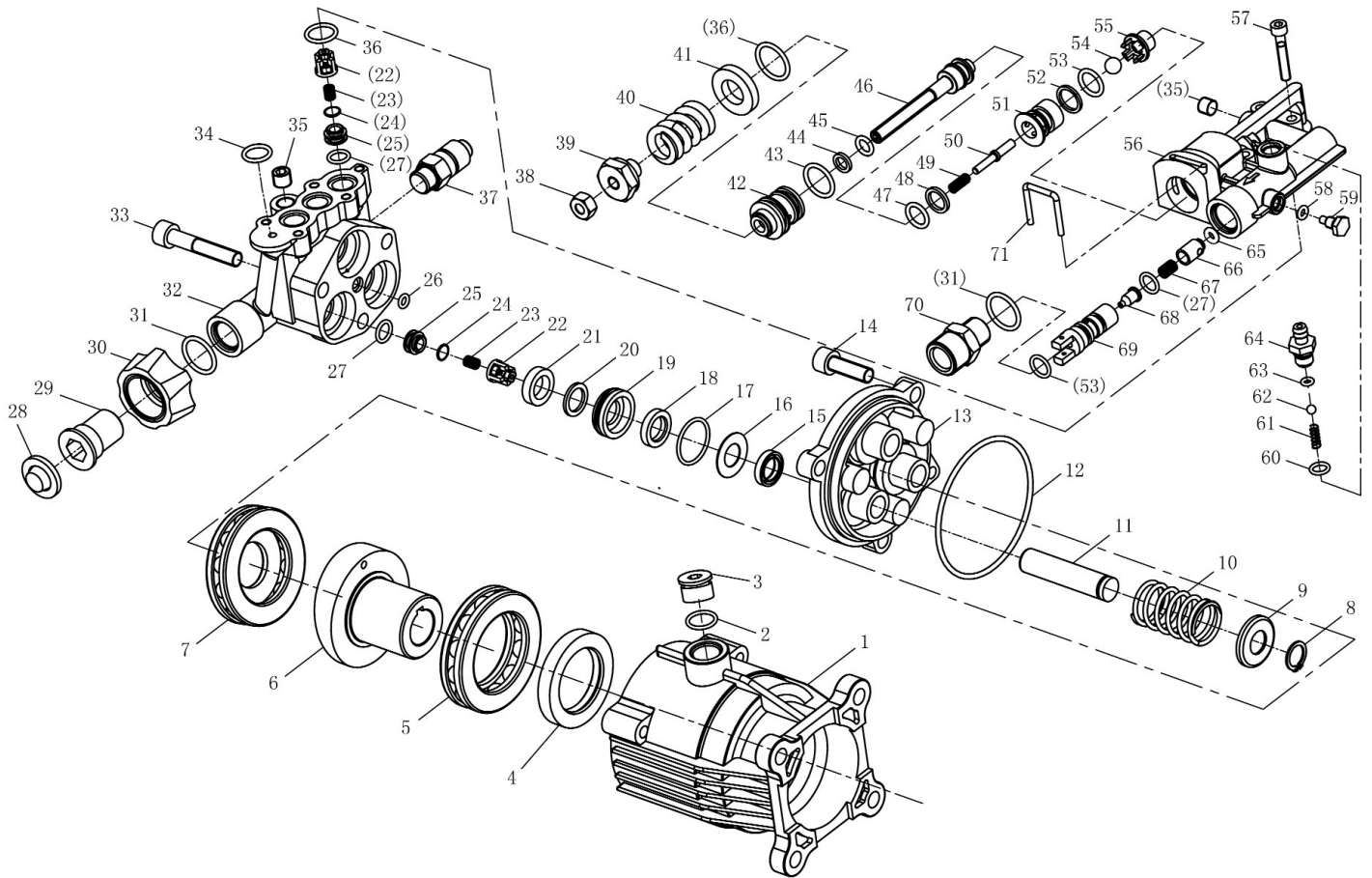
sales@sealey.co.uk



www.sealey.co.uk



Parts Information:  
Petrol Pressure Washer 220bar 10ltr/min  
6.5hp  
Model No: PCM2500.V2



**NOTE:** It is our policy to continually improve products and as such we reserve the right to alter data, specifications and component parts without prior notice.

**IMPORTANT:** No liability is accepted for incorrect use of product.

**WARRANTY:** Guarantee is 12 months from purchase date, proof of which will be required for any claim.

Sealey Group, Kempson Way, Suffolk Business Park, Bury St Edmunds, Suffolk. IP32 7AR



01284 757500



01284 703534



sales@sealey.co.uk



www.sealey.co.uk



Parts Information:  
**Petrol Pressure Washer 220bar 10ltr/min**  
**6.5hp**  
**Model No: PCM2500.V2**

Item	Part No.	Description
	<b>PCM2500V2.199</b>	<b>COMPLETE PUMP</b>
1	PCM2500.V2-01	WOBBLE PLATE
2	PCM2500.V2-02	O-RING (13.2*1.8)
3	PCM2500.V2-03	PLUG
4	PCM2500.V2-04	OIL SEAL
5	PCM2500.V2-05	THRUST BEARING
6	PCM2500.V2-06	WOBBLE PLATE
7	PCM2500.V2-07	THRUST BEARING
8	PCM2500.V2-08	RETAINING RING
9	PCM2500.V2-09	SPRING CLIP
10	PCM2500.V2-10	SPRING
11	PCM2500.V2-11	PISTON M12 X 60
12	PCM2500.V2-12	O-RING (73*2.65)
13	PCM2500.V2-13	PISTON SEAT
14	PCM2500.V2-14	SCREW (M8*25)
15	PCM2500.V2-15	OIL SEAL (12*20*6)
16	PCM2500.V2-16	WASHER 1/2" THIN
17	PCM2500.V2-17	O-RING (22.4*1.8)
18	PCM2500.V2-18	RUBBER SEAL WASHER (12*20*4)
19	PCM2500.V2-19	SEAL SEAT
20	PCM2500.V2-20	PLASTIC SEAL WASHER
21	PCM2500.V2-21	WATER SEAL (12*20*5)
22	PCM2500.V2-22	VALVE COVER
23	PCM2500.V2-23	VALVE SPRING
24	PCM2500.V2-24	VALVE PLATE
25	PCM2500.V2-25	VALVE SEAT
26	AVR2500A.P16	O-RING 4.5X1.8
27	PCM2500.V2-27	O-RING (9*1.8)
28	PCM2500.V2-28	WATER INLET FILTER
29	PCM2500.V2-29	WATER INLET CONNECTOR
30	PCM2500.V2-30	NUT
31	PCM2500.V2-31	O-RING (14*1.8)
32	PCM2500.V2-32	MANIFOLD
33	PCM2500.V2-33	SCREW (M8*45)
34	PCM2500.V2-34	O-RING (12*2)
35	PCM2500.V2-35	BLOCK

Item	Part No.	Description
36	PCM2500.V2-36	O-RING (14*2)
37	PCM2500.V2-37	THERMAL RELIEF
38	SN6.S	STEEL NUT M6 ZINC DIN934 (SINGLE)
39	PCM2500.V2-39	REGULATING NUT
40	PCM2500.V2-40	REGULATING SPRING
41	PCM2500.V2-41	THICK SEAL
42	PCM2500.V2-42	VALVE SHEATH
43	PCM2500.V2-43	O-RING (12.8*1.8)
44	PCM2500.V2-44	RETAINER RING (6.2*9*1.25)
45	PCM2500.V2-45	O-RING (6*1.8)
46	PCM2500.V2-46	VALVE ROD
47	PCM2500.V2-47	O-RING (8.5*1.8)
48	PCM2500.V2-48	RETAINER RING (8.7*11.6*1.2)
49	PCM2500.V2-49	SPRING
50	PCM2500.V2-50	PIN
51	PCM2500.V2-51	UPPER SEAT
52	PCM2500.V2-52	RETAINER RING (10.3*13*1.25)
53	PCM2500.V2-53	O-RING (10*1.8)
54	SB-7.0	STEEL BALL 7.0mm
55	PCM2500.V2-55	LOWER SEAT
56	PCM2500.V2-56	OUTLET VALVE BODY
57	PCM2500.V2-57	SCREW (M5*30)
58	PCM2500.V2-58	O-RING (4*2)
59	PCM2500.V2-59	BLOCK
60	PCM2500.V2-60	O-RING (7.5*1.8)
61	PCM2500.V2-61	INJECTOR SPRING
62	SB-5.6	STEEL BALL 5.6mm
63	PCM2500.V2-63	O-RING (3.55*1.8)
64	PCM2500.V2-64	INJECTOR
65	PCM2500.V2-65	O-RING (4*2.65)
66	PCM2500.V2-66	VALVE CORE
67	PCM2500.V2-67	VALVE SPRING
68	PCM2500.V2-68	NOZZLE
69	PCM2500.V2-69	PLUNGER
70	PCM2500.V2-70	OUTLET CONNECTOR
71	PCM2500.V2-71	U-PIN

**NOTE:** It is our policy to continually improve products and as such we reserve the right to alter data, specifications and component parts without prior notice.

**IMPORTANT:** No liability is accepted for incorrect use of product.

**WARRANTY:** Guarantee is 12 months from purchase date, proof of which will be required for any claim.

**Sealey Group**, Kempson Way, Suffolk Business Park, Bury St Edmunds, Suffolk. IP32 7AR



01284 757500



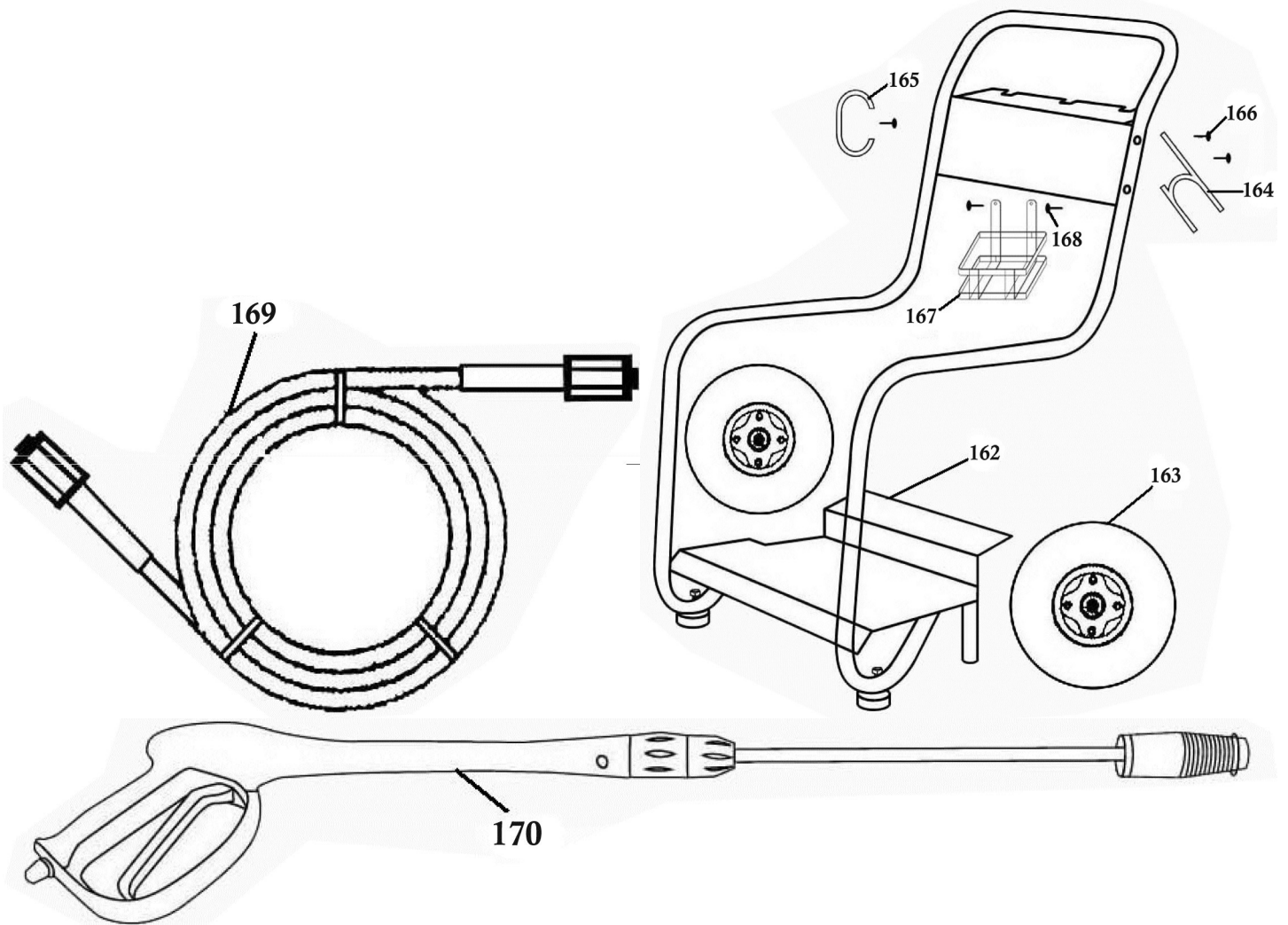
01284 703534



sales@sealey.co.uk



www.sealey.co.uk



Item	Part No.	Description
162	PCM2500.161	FRAME
163	PCM2500.162	WHEEL 4.10/3.50-4 (2PI)
164	PCM2500.163	HOSE HOOK
165	PCM2500.164	GUN HOOK
166	SCB535.SB	SOCKET HEAD CAP SCREW M5x35 BLACK

Item	Part No.	Description
167	PCM2500.166	DETERGENT HOOK
168	PCM2500.167	SCREW
169	PCM2500.168	HOSE (M22/14mm-M22/14mm)5M LONG
170	PCM2500.FG	PRESSURE GUN
--	NLN8.S	NYLOC NUT M8 ZINC DIN 985 (SINGLE) (NOT SHOWN)

**NOTE:** It is our policy to continually improve products and as such we reserve the right to alter data, specifications and component parts without prior notice.

**IMPORTANT:** No liability is accepted for incorrect use of product.

**WARRANTY:** Guarantee is 12 months from purchase date, proof of which will be required for any claim.