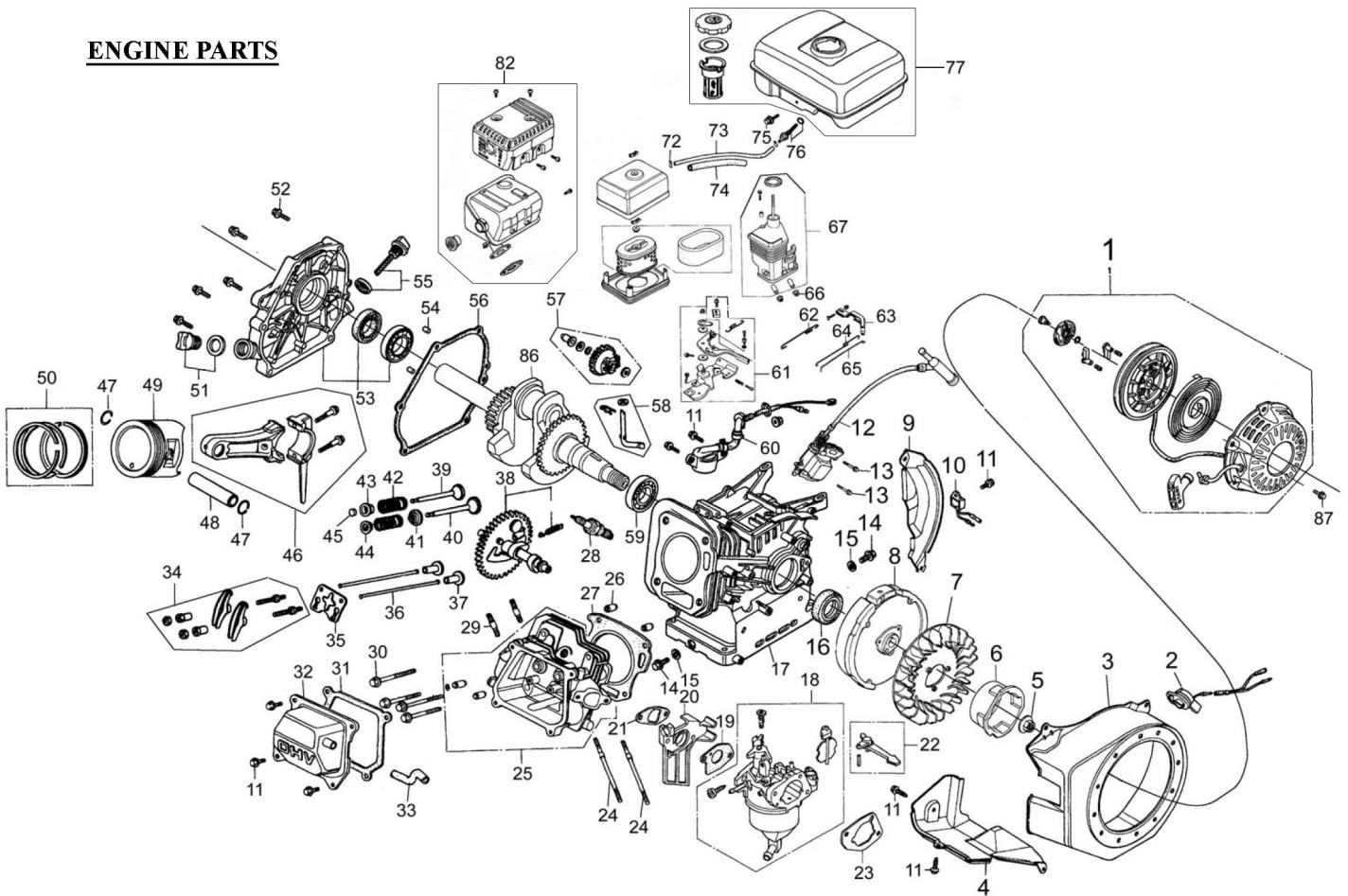


ENGINE PARTS



NOTE: It is our policy to continually improve products and as such we reserve the right to alter data, specifications and component parts without prior notice.

IMPORTANT: No liability is accepted for incorrect use of product.

WARRANTY: Guarantee is 12 months from purchase date, proof of which will be required for any claim.



Parts Information:
**Petrol Pressure Washer 220bar 10ltr/min
6.5hp
Model No: PCM2500**

Item	Part No.	Description
1	PCM2500.01	RECOIL STARTER COMPLETE
2	PCM2500.02	SWITCH
3	PCM2500.03	FAN COVER COMPLETE
4	PCM2500.04	SHROUD COMPLETE
5	PCM2500.05	FLANGE NUT M16 LEFT HAND THREAD
6	PCM2500.06	STARTER PULLEY
7	PCM2500.07	COOLING FAN
8	PCM2500.08	FLYWHEEL COMPLETE
9	PCM2500.09	SIDE PLATE
10	GG2800.RS7	DIODE
11	SFS612.S	HEX HEAD FLANGE BOLT M6x12 SINGLE
12	PCM2500.12	IGNITION COIL ASS'Y
13	SFS612.S	HEX HEAD FLANGE BOLT M6x12 SINGLE
14	PCM2500.14	FLANGE BOLT M10X16
15	PCM2500.15	DRAIN WASHER
16	PCM2500.16	OIL SEAL (25 x 41.25 x 6)
17	PCM2500.17	CRANKCASE ASS'Y
18	PCM2500.18	CARBURETOR ASS'Y
19	PCM2500.19	CARBURETOR PACKING
20	PCM2500.20	CARBURETOR INSULATOR
21	PCM2500.21	INSULATOR PACKING
22	PCM2500.22	CHOKE LEVEL COMPLETE
23	PCM2500.23	AIR CLEANER PACKING
24	PCM2500.24	BOLT HEAD M6X113
25	PCM2500.25	CYLINDER HEAD COMPLETE
26	PCM2500.26	DOWEL PIN (10x16)
27	PCM2500.27	CYLINDER HEAD GASKET
28	PCM2500.28	SPARK PLUG
29	PCM2500.52	FLANGE BOLT M8X32
30	PCM2500.30	FLANGE BOLT M8X55
31	PCM2500.31	ROCKER COVER GASKET
32	PCM2500.32	HEAD COVER COMPLETE
33	PCM2500.33	BREATHER HOSE
34	PCM2500.34	VALVE ROCKER ARM ASS'Y
35	PCM2500.35	PUSHROD GUIDE PLATE
36	PCM2500.36	PUSHROD
37	PCM2500.37	VALVE LIFTER
38	PCM2500.38	CAMSHAFT ASS'Y

Item	Part No.	Description
39	PCM2500.39	VALVE, EX.
40	PCM2500.40	VALVE, IN.
41	PCM2500.41	VALVE SPRING SEAT
42	PCM2500.42	VALVE SPRING
43	PCM2500.43	VALVE SPRING RETAINER, EX.
44	PCM2500.44	VALVE SPRING RETAINER, IN.
45	PCM2500.45	VALVE ROTATOR
46	PCM2500.46	CONNECTING ROD ASS'Y
47	PCM2500.47	PISTON PIN CLIP
48	PCM2500.48	PISTON PIN
49	PCM2500.49	PISTON
50	PCM2500.50	PISTON RING SET
51	PCM2500.51	OIL FILLER CAP
52	PCM2500.52	FLANGE BOLT M8X32
53	PCM2500.53	CRANKCASE COVER ASS'Y
54	PCM2500.54	DOWEL PIN (8x14)
55	PCM2500.55	OIL FILLER CAP ASS'Y
56	PCM2500.56	CASE COVER PACKING
57	PCM2500.57	GOVERNOR ASS'Y
58	PCM2500.58	SHAFT, GOVERNOR ASS'Y
59	B/6025	BEARING 6025
60	PCM2500.60	OIL LEVEL SWITCH ASS'Y
61	PCM2500.61	CONTROL ASS'Y
62	PCM2500.62	GOVERNOR SPRING
63	PCM2500.63	GOVERNOR ARM
64	PCM2500.64	THROTTLE RETURN SPRING
65	PCM2500.65	GOVERNOR ROD
66	FN6.S	FLANGE NUT SERRATED M6 ZINC (SINGLE)
67	PCM2500.67	AIR CLEANER ASS'Y
72	PCM2500.72	TUBE CLIP
73	PCM2500.73	FUEL TUBE
74	PCM2500.74	RUBBER SUPPORT
75	PCM2500.75	FLANGE BOLT M6X25
76	PCM2500.76	FUEL TANK JOINT
77	PCM2500.77	FUEL TANK ASS'Y
82	PCM2500.82	MUFFLER ASS'Y
86	PCM2500.86	CRANKSHAFT COMPLETE
87	SFS68.S	HEX HEAD FLANGE BOLT M6x8 SINGLE

NOTE: It is our policy to continually improve products and as such we reserve the right to alter data, specifications and component parts without prior notice.

IMPORTANT: No liability is accepted for incorrect use of product.

WARRANTY: Guarantee is 12 months from purchase date, proof of which will be required for any claim.

Sealey Group, Kempson Way, Suffolk Business Park, Bury St Edmunds, Suffolk. IP32 7AR



01284 757500



01284 703534



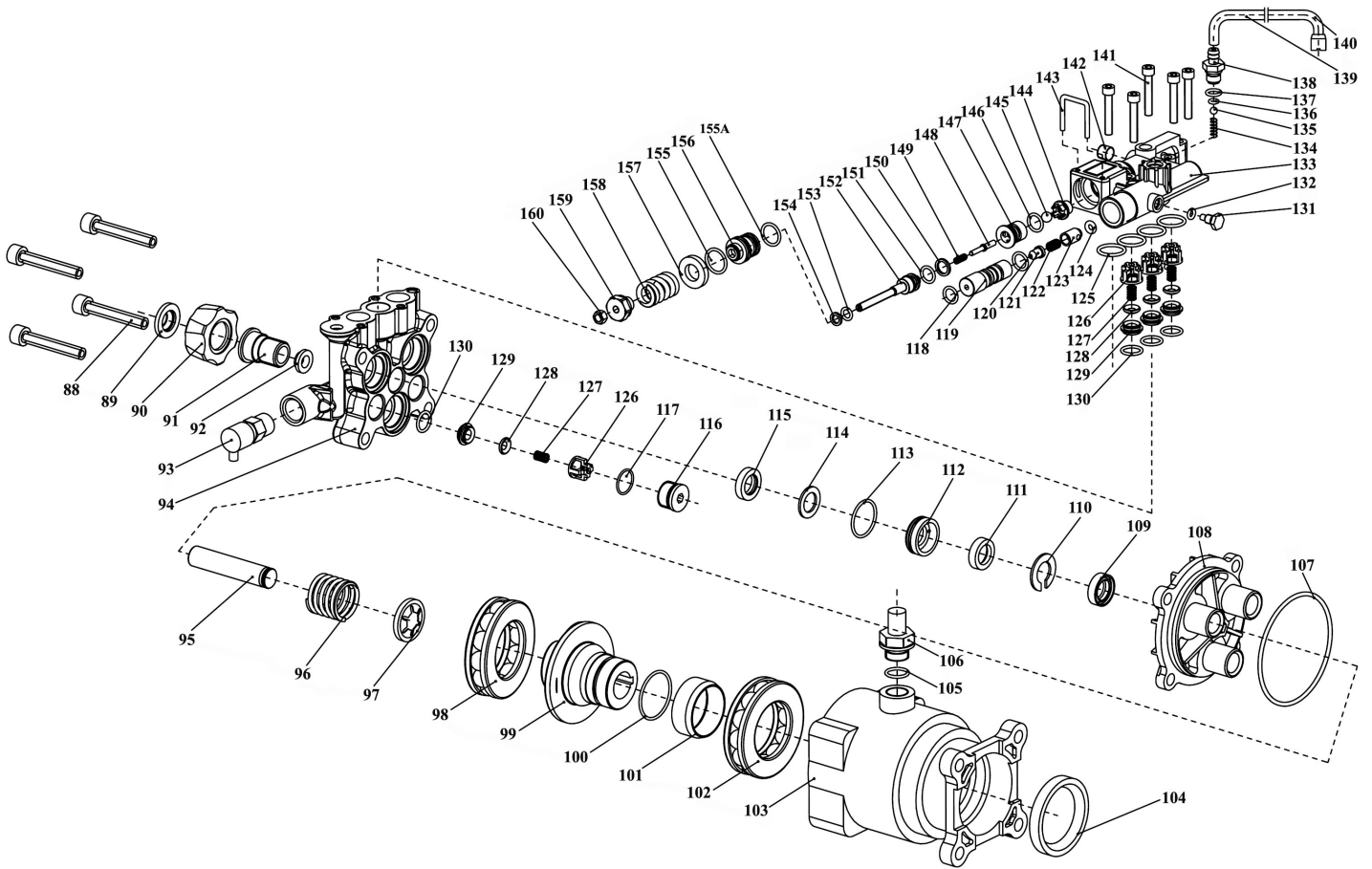
sales@sealey.co.uk



www.sealey.co.uk



Parts Information:
Petrol Pressure Washer 220bar 10ltr/min
6.5hp
Model No: PCM2500



NOTE: It is our policy to continually improve products and as such we reserve the right to alter data, specifications and component parts without prior notice.

IMPORTANT: No liability is accepted for incorrect use of product.

WARRANTY: Guarantee is 12 months from purchase date, proof of which will be required for any claim.

Sealey Group, Kempson Way, Suffolk Business Park, Bury St Edmunds, Suffolk. IP32 7AR



01284 757500



01284 703534



sales@sealey.co.uk



www.sealey.co.uk



Parts Information:
Petrol Pressure Washer 220bar 10ltr/min
6.5hp
Model No: PCM2500

Item	Part No.	Description
88	PCM2500.88	SCREW (M8*50)
89	PCM2500.89	FILTER
90	PCM2500.90	BRASS NUT PLASTIC SURROUND
91	PCM2500.91	INLET CONNECTOR
92	PCM2500.92	PLASTIC WASHER
93	PCM2500.93	THERMAL PROTECTION
94	PCM2500.94	PUMP HEAD
95	PCM2500.95	PLUNGER & SPRING PLATE ASS'Y
96	PCM2500.96	SPRING
97	PCM2500.95	PLUNGER & SPRING PLATE ASS'Y
98	PCM2500.98	PLASTIC BEARING RACE
99	PCM2500.99	WOBBLE PLATE
100	PCM2500.100	O-RING (31.47*1.78)
101	PCM2500.101	OIL SEAL SLEEVE (40x35x2.5)
102	PCM2500.102	PLASTIC BEARING RACE
103	PCM2500.103	BACK HOUSING
104	PCM2500.104	OIL SEAL (55x40x8)
105	PCM2500.105	O-RING (13.2*1.8)
106	PCM2500.106	PLUG
107	PCM2500.107	O-RING (75*2.65)
108	PCM2500.108	PLUNGER SEAT
109	PCM2500.109	OIL SEAL
110	FWM14.S	FLAT WASHER M14 SINGLE
111	PCM2500.111	SEAL RING
112	PCM2500.112	SEAL RING SEAT
113	PCM2500.113	O-RING (23.52*1.78)
114	PCM2500.114	WATER SEAL GASKET
115	PCM2500.115	WATER SEAL
116	PCM2500.116	VALVE BONNET
117	PCM2500.117	O-RING (14*1.78)
118	PCM2500.118	O-RING (10*1.8)
119	PCM2500.121	NOZZLE & TUBE ASSEM
120	PCM2500.120	O-RING (9*1.8)
121	PCM2500.121	NOZZLE & TUBE ASSEM
122	PCM2500.122	CHECK VALVE SPRING
123	PCM2500.123	CHECK VALVE CORE
124	PCM2500.124	O-RING (4*2.62)
125	PCM2500.125	O-RING (16*2)

Item	Part No.	Description
126	PCM2500.126	VALVE COVER
127	PCM2500.127	VALVE SPRING
128	PCM2500.128	VALVE PLATE
129	PCM2500.129	VALVE SEAT
130	PCM2500.130	O-RING (11.8*1.8)
131	PCM2500.131	BULKHEAD (2)
132	PCM2500.132	O-RING (4*2)
133	PCM2500.133	OUTLET VALVE BODY
134	PCM2500.134	SPRING
135	SB-4.7	STEEL BALL 4.7mm
136	PCM2500.136	O-RING (3.68*1.78)
137	PCM2500.137	O-RING (7.65*1.78)
138	PCM2500.138	DETERGENT INJECTION CONNECTOR
139	PCM2500.139	DETERGENT HOSE
140	PCM2500.140	DETERGENT FILTER
141	SCB530.S	SOCKET CAP BOLT ZINC M5X30
142	PCM2500.142	BULKHEAD (1)
143	PCM2500.143	U-PIN
144	PCM2500.144	SEAT
145	SB-7.0	STEEL BALL 7.0mm
146	PCM2500.146	O-RING (9.5*1.8)
147	PCM2500.147	UPPER SEAT
148	PCM2500.148	TOP PIN
149	PCM2500.149	SPRING
150	PCM2500.150	SPLIT RING (9*12*1.25)
151	PCM2500.151	O-RING (8.75*1.8)
152	PCM2500.152	VALVE ROD
153	PCM2500.153	O-RING (6.07*1.78)
154	PCM2500.154	SPLIT RING (6*9*1.25)
155	PCM2500.155	O-RING (12.42*1.78)
155A	PCM2500.155A	O-RING (14*2)
156	PCM2500.156	VALVE JACKET
157	PCM2500.157	M12 COLLAR
158	PCM2500.158	REGULATING PRESSURE SPRING
159	PCM2500.159	REGULATING PRESSURE NUT
160	SN5.S	STEEL NUT M5 ZINC DIN934 (SINGLE)
--	PCM2500.197	INLET HOSE CONNECTOR (MALE) (NOT SHOWN)
--	PCM2500.FK	FIXING KIT (NOT SHOWN)

NOTE: It is our policy to continually improve products and as such we reserve the right to alter data, specifications and component parts without prior notice.

IMPORTANT: No liability is accepted for incorrect use of product.

WARRANTY: Guarantee is 12 months from purchase date, proof of which will be required for any claim.

Sealey Group, Kempson Way, Suffolk Business Park, Bury St Edmunds, Suffolk. IP32 7AR



01284 757500



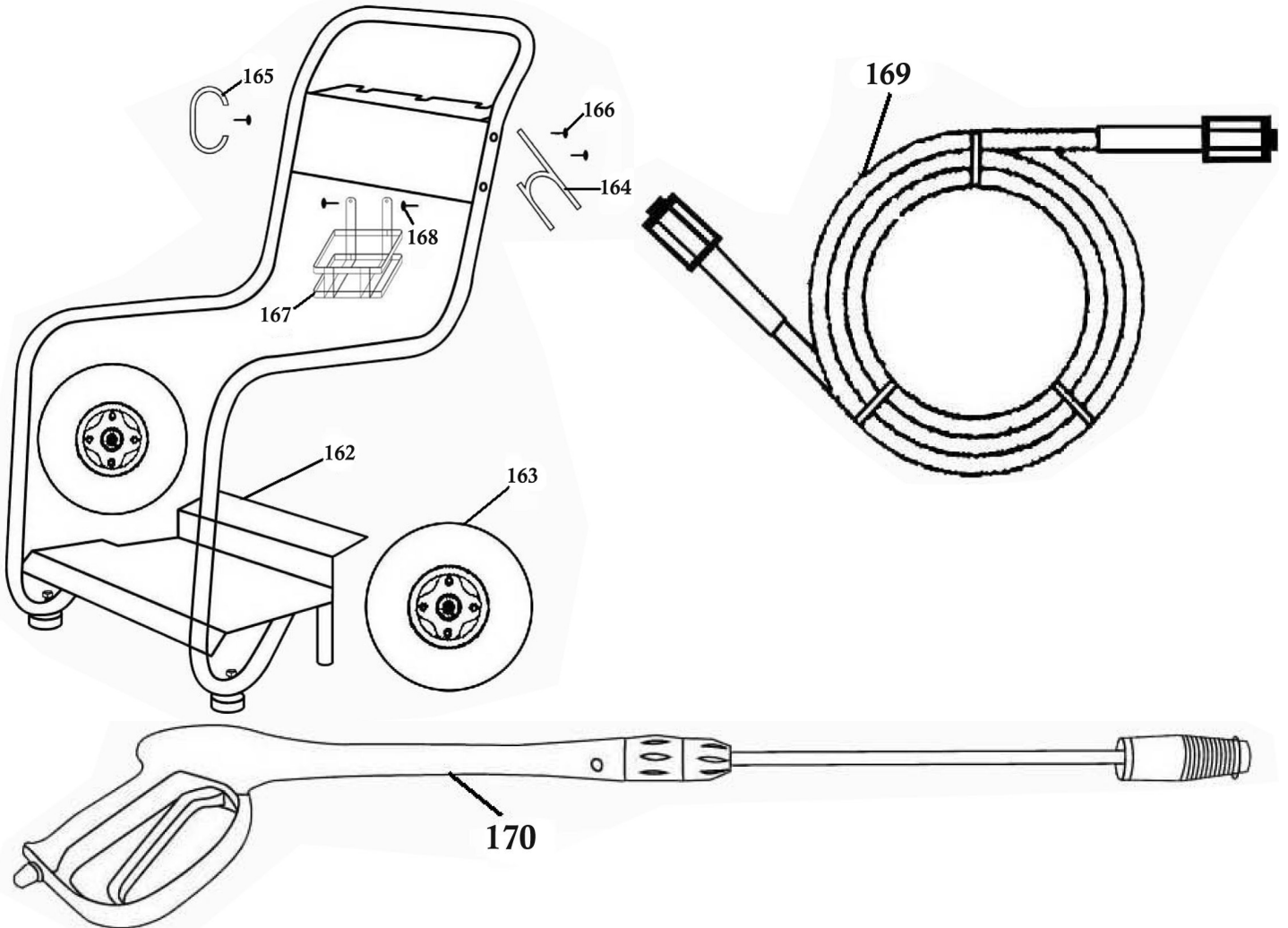
01284 703534



sales@sealey.co.uk



www.sealey.co.uk



Item	Part No.	Description
162	PCM2500.161	FRAME
163	PCM2500.162	WHEEL 4.10/3.50-4 (2PI)
164	PCM2500.163	HOSE HOOK
165	PCM2500.164	GUN HOOK
166	SCB535.SB	SOCKET HEAD CAP SCREW M5x35 BLACK
167	PCM2500.166	DETERGENT HOOK
168	PCM2500.167	SCREW
169	PCM2500.168	HOSE (M22/14mm-M22/14mm)5M LONG
170	PCM2500.FG	PRESSURE GUN
170	PCM2500.FL	LANCE
--	NLN8.S	NYLOC NUT M8 ZINC DIN 985 (SINGLE) (NOT SHOWN)
--	PCM2500.195	RUBBER FEET (NOT SHOWN)
--	PCM2500.195A	RUBBER FOOT (SMALL) (NOT SHOWN)

Item	Part No.	Description
--	PCM2500.198	FRAME FIXING KNOB (NOT SHOWN)
--	PCM2500.196	WATER INLET (FEMALE) (NOT SHOWN)
--	PCM2500.199	COMPLETE PUMP (NOT SHOWN)
--	FWM6.S	FLAT WASHER M6 SINGLE (NOT SHOWN)
--	NLN6.S	NYLOC NUT M6 ZINC DIN 985 (SINGLE) (NOT SHOWN)
--	SCB645.S	SOCKET CAP BOLT ZINC M6X45 (NOT SHOWN)
--	PCM2500.200	VALVE ASSEMBLY (NOT SHOWN)
--	PCM2500.201	HOOK FOR LANCE (NOT SHOWN)
--	PCM2500.202	EXHAUST GASKET (NOT SHOWN)
--	PCM2500.203	ENGINE MOUNT RUBBER GASKET (NOT SHOWN)
--	PCM2500.L	LABEL SET (NOT SHOWN)

NOTE: It is our policy to continually improve products and as such we reserve the right to alter data, specifications and component parts without prior notice.

IMPORTANT: No liability is accepted for incorrect use of product.

WARRANTY: Guarantee is 12 months from purchase date, proof of which will be required for any claim.