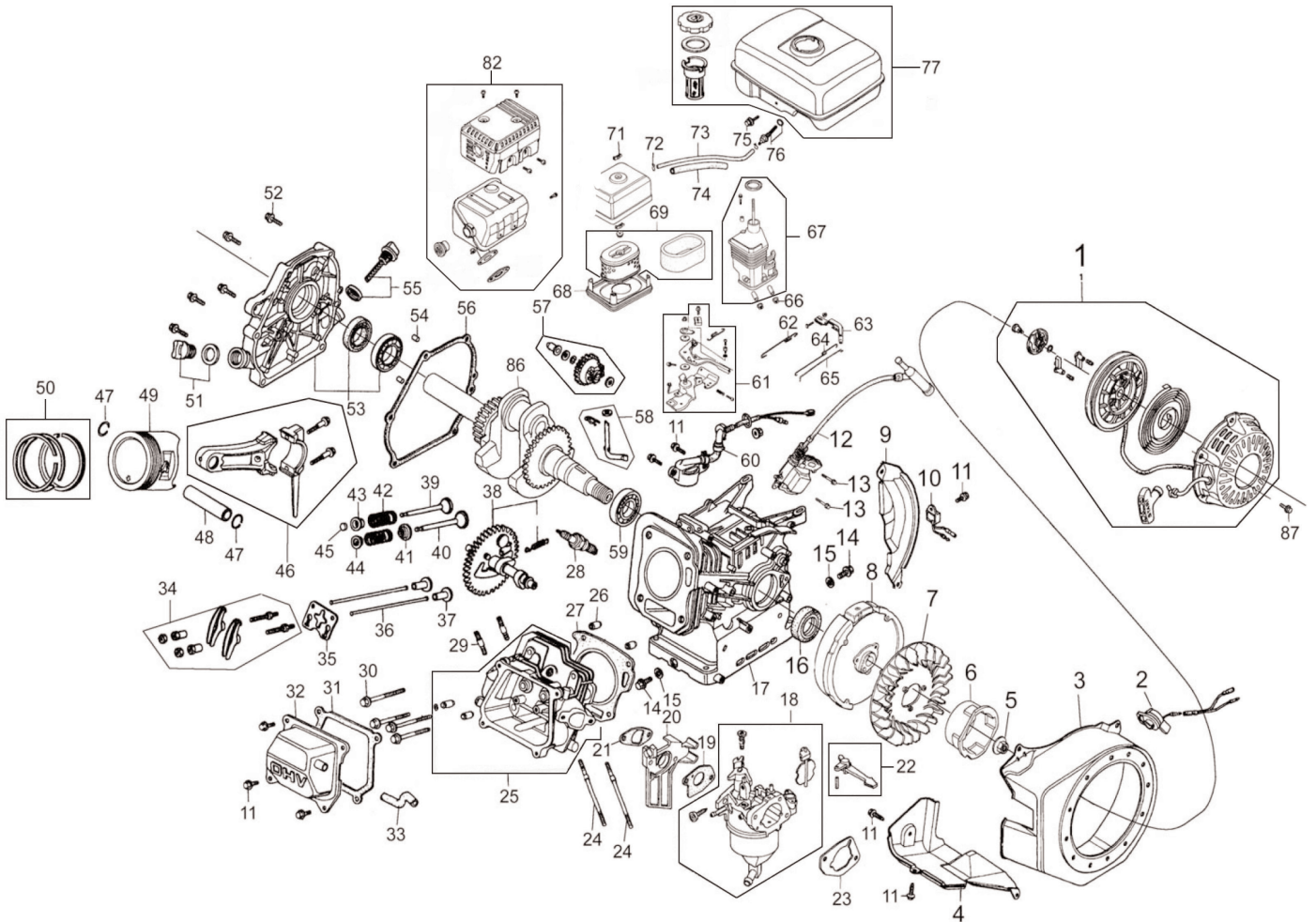




Parts Information:  
**Petrol Pressure Washer 220bar 10ltr/min  
6.5hp Self Priming  
Model No: PCM2500SP.V2**



**NOTE:** It is our policy to continually improve products and as such we reserve the right to alter data, specifications and component parts without prior notice.

**IMPORTANT:** No liability is accepted for incorrect use of product.

**WARRANTY:** Guarantee is 12 months from purchase date, proof of which will be required for any claim.

**Sealey Group**, Kempson Way, Suffolk Business Park, Bury St Edmunds, Suffolk. IP32 7AR



01284 757500



01284 703534



sales@sealey.co.uk



www.sealey.co.uk



Parts Information:  
**Petrol Pressure Washer 220bar 10ltr/min**  
**6.5hp Self Priming**  
**Model No: PCM2500SP.V2**

Item	Part No.	Description
1	PCM2500.01	RECOIL STARTER COMPLETE
2	PCM2500.02	SWITCH
3	PCM2500.03	FAN COVER COMPLETE
4	PCM2500.04	SHROUD COMPLETE
5	PCM2500.05	FLANGE NUT M16 LEFT HAND THREAD
6	PCM2500.06	STARTER PULLEY
7	PCM2500.07	COOLING FAN
8	PCM2500.08	FLYWHEEL COMPLETE
9	PCM2500.09	SIDE PLATE
10	GG2800.RS7	DIODE
11	SFS612.S	HEX HEAD FLANGE BOLT M6x12 SINGLE
12	PCM2500.12	IGNITION COIL ASS'Y
13	SFS612.S	HEX HEAD FLANGE BOLT M6x12 SINGLE
14	PCM2500.14	FLANGE BOLT M10X16
15	PCM2500.15	DRAIN WASHER
16	PCM2500.16	OIL SEAL (25 x 41.25 x 6)
17	PCM2500.17	CRANKCASE ASS'Y
18	PCM2500.18	CARBURETOR ASS'Y
19	PCM2500.19	CARBURETOR PACKING
20	PCM2500.20	CARBURETOR INSULATOR
21	PCM2500.21	INSULATOR PACKING
22	PCM2500.22	CHOKE LEVEL COMPLETE
23	PCM2500.23	AIR CLEANER PACKING
24	PCM2500.24	BOLT HEAD M6X113
25	PCM2500.25	CYLINDER HEAD COMPLETE
26	PCM2500.26	DOWEL PIN (10x16)
27	PCM2500.27	CYLINDER HEAD GASKET
28	PCM2500.28	SPARK PLUG
29	PCM2500.52	FLANGE BOLT M8X32
30	PCM2500.30	FLANGE BOLT M8X55
31	PCM2500.31	ROCKER COVER GASKET
32	PCM2500.32	HEAD COVER COMPLETE
33	PCM2500.33	BREATHER HOSE
34	PCM2500.34	VALVE ROCKER ARM ASS'Y
35	PCM2500.35	PUSHROD GUIDE PLATE
36	PCM2500.36	PUSHROD
37	PCM2500.37	VALVE LIFTER
38	PCM2500.38	CAMSHAFT ASS'Y
39	PCM2500.39	VALVE, EX.
40	PCM2500.40	VALVE, IN.
41	PCM2500.41	VALVE SPRING SEAT

Item	Part No.	Description
42	PCM2500.42	VALVE SPRING
43	PCM2500.43	VALVE SPRING RETAINER, EX.
44	PCM2500.44	VALVE SPRING RETAINER, IN.
45	PCM2500.45	VALVE ROTATOR
46	PCM2500.46	CONNECTING ROD ASS'Y
47	PCM2500.47	PISTON PIN CLIP
48	PCM2500.48	PISTON PIN
49	PCM2500.49	PISTON
50	PCM2500.50	PISTON RING SET
51	PCM2500.51	OIL FILLER CAP
52	PCM2500.52	FLANGE BOLT M8X32
53	PCM2500.53	CRANKCASE COVER ASS'Y
54	PCM2500.54	DOWEL PIN (8x14)
55	PCM2500.55	OIL FILLER CAP ASS'Y
56	PCM2500.56	CASE COVER PACKING
57	PCM2500.57	GOVERNOR ASS'Y
58	PCM2500.58	SHAFT, GOVERNOR ASS'Y
59	B/6025	BEARING 6025
60	PCM2500.60	OIL LEVEL SWITCH ASS'Y
61	PCM2500.61	CONTROL ASS'Y
62	PCM2500.62	GOVERNOR SPRING
63	PCM2500.63	GOVERNOR ARM
64	PCM2500.64	THROTTLE RETURN SPRING
65	PCM2500.65	GOVERNOR ROD
66	FN6.S	FLANGE NUT SERRATED M6 ZINC (SINGLE)
	PCM2500.67	AIR CLEANER ASS'Y
69	PCM2500.69	AIR FILTER ELEMENT
72	PCM2500.72	TUBE CLIP
73	PCM2500.73	FUEL TUBE
74	PCM2500.74	RUBBER SUPPORT
75	PCM2500.75	FLANGE BOLT M6X25
76	PCM2500.76	FUEL TANK JOINT
77	PCM2500.77	FUEL TANK ASS'Y
82	PCM2500.82	MUFFLER ASS'Y
86	PCM2500.86	CRANKSHAFT COMPLETE
87	SFS68.S	HEX HEAD FLANGE BOLT M6x8 SINGLE
--	PCM2500.E88	KEY (NOT SHOWN)
--	PCM2500SPV2PA	PUMP (VERSION 2) (NOT SHOWN)
--	PCM2500SPL	LABEL SET (NOT SHOWN)
--	PCDM3600.300A	QUICK RELEASE COUPLING 16MM (NOT SHOWN)

**NOTE:** It is our policy to continually improve products and as such we reserve the right to alter data, specifications and component parts without prior notice.

**IMPORTANT:** No liability is accepted for incorrect use of product.

**WARRANTY:** Guarantee is 12 months from purchase date, proof of which will be required for any claim.

**Sealey Group**, Kempson Way, Suffolk Business Park, Bury St Edmunds, Suffolk. IP32 7AR



01284 757500



01284 703534



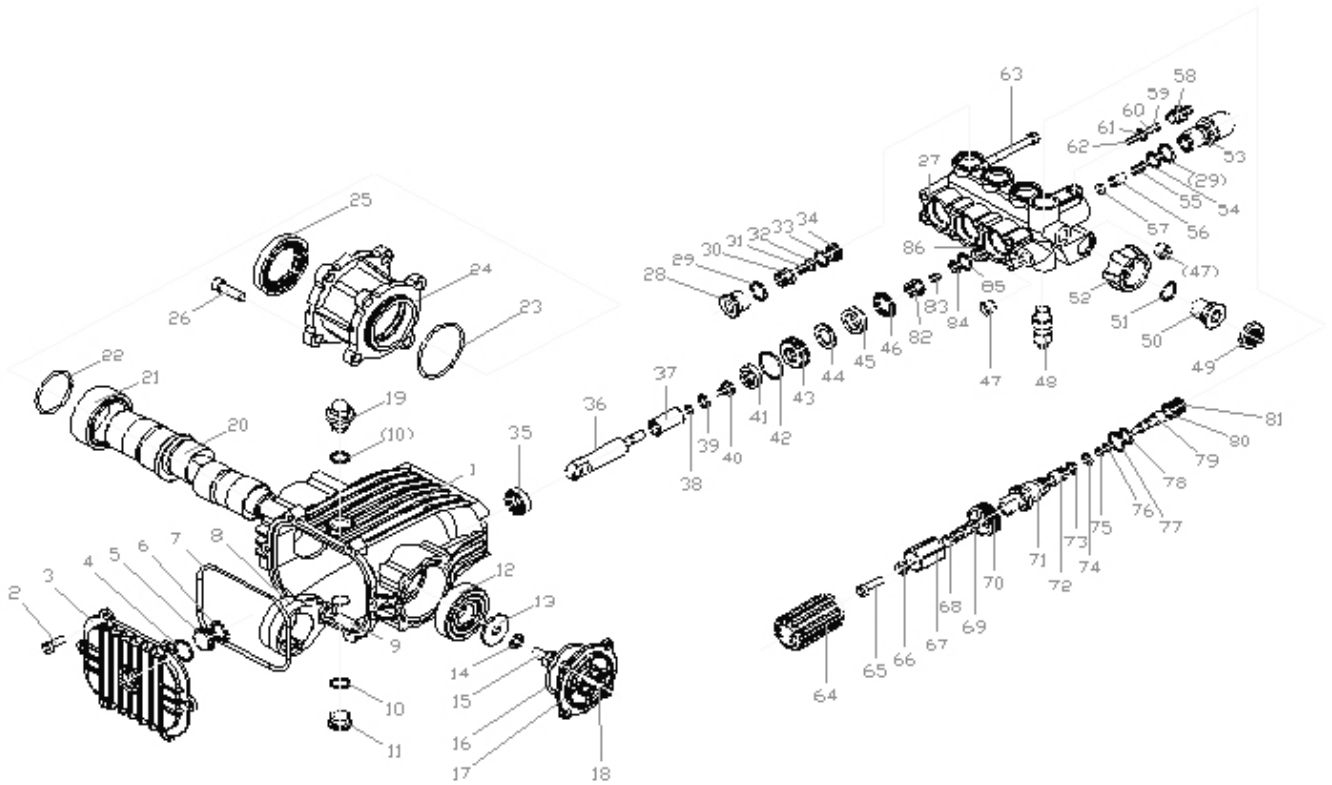
sales@sealey.co.uk



www.sealey.co.uk



Parts Information:  
**Petrol Pressure Washer 220bar 10ltr/min  
6.5hp Self Priming  
Model No: PCM2500SP.V2**



**NOTE:** It is our policy to continually improve products and as such we reserve the right to alter data, specifications and component parts without prior notice.

**IMPORTANT:** No liability is accepted for incorrect use of product.

**WARRANTY:** Guarantee is 12 months from purchase date, proof of which will be required for any claim.

**Sealey Group**, Kempson Way, Suffolk Business Park, Bury St Edmunds, Suffolk. IP32 7AR



01284 757500



01284 703534



sales@sealey.co.uk



www.sealey.co.uk



Parts Information:  
**Petrol Pressure Washer 220bar 10ltr/min**  
**6.5hp Self Priming**  
**Model No: PCM2500SP.V2**

Item	Part No.	Description
1	PCMSPV2-P01	CRANKCASE
2	SCB815.S	SOCKET HEAD CAP SCREW M8x15
3	PCMSPV2-P03	BACK COVER
4	PCMSPV2-P04	O-RING
5	PCMSPV2-P05	PLUG
6	PCMSPV2-P06	EXTERNAL TOOTH
7	PCMSPV2-P07	O-RING
8	PCMSPV2-P08	CONNECTING ROD
9	PCMSPV2-P09	CONNECTING ROD PIN
10	PCMSPV2-P10	O-RING
11	PCMSPV2-P11	BULKHEAD
12	B/NK140/20	BEARING NK140/20
13	PCMSPV2-P13	REPAIR WASHER M8x30
14	SWM8.S	SPRING WASHER M8 ZINC (SINGLE)
15	SCB815.S	SOCKET HEAD CAP SCREW M8x15
16	PCMSPV2-P16	O-RING
17	PCMSPV2-P17	COVER
18	SCB815.S	SOCKET HEAD CAP SCREW M8x15
19	PCMSPV2-P19	BREATH PLUG
20	PCMSPV2-P20	CRANKSHAFT
21	B/NJ304EM	BEARING NJ304EM
22	PCMSPV2-P22	BLOCK RING
23	PCMSPV2-P23	O-RING
24	PCMSPV2-P24	CONNECTING FLANGE
25	PCMSPV2-P25	OIL SEAL (LSA)
26	SCB825.S	SOCKET CAP BOLT ZINC M8X25
27	PCMSPV2-P27	PUMP BODY
28	PCMSPV2-P28	BULKHEAD
29	PCMSPV2-P29	O-RING
30	PCMSPV2-P30	VALVE COVER
31	PCMSPV2-P31	VALVE SPRING
32	PCMSPV2-P32	O-RING
33	PCMSPV2-P33	VALVE PLATE
34	PCMSPV2-P34	VALVE SEAT
35	PCMSPV2-P35	OIL SEAL
36	PCMSPV2-P36	PLUNGER
37	PCMSPV2-P37	PLUNGER, CERAMIC
38	PCMSPV2-P38	O-RING
39	PCMSPV2-P39	COPPER WASHER
40	PCMSPV2-P40	BOLT
41	PCMSPV2-P41	SEAL RING (BLACK)
42	PCMSPV2-P42	O-RING
43	PCMSPV2-P43	SEAL SEAT

Item	Part No.	Description
44	PCMSPV2-P44	SEAL RING (METAL)
45	PCMSPV2-P45	SEAL RING SUPPORT
46	PCMSPV2-P46	SEAL RING (BROWN)
47	PCMSPV2-P47	PLUG SCREW
48	PCMSPV2-P48	THERMAL PROTECTION
49	PCMSPV2-P49	INLET FILTER
50	PCMSPV2-P50	INLET CONNECTOR
51	PCMSPV2-P51	O-RING
52	PCMSPV2-P52	PLASTIC NUT
53	PCMSPV2-P53	OUTLET CONNECTOR
54	PCMSPV2-P54	O-RING
55	PCMSPV2-P55	VALVE SPRING
56	PCMSPV2-P56	VALVE CORE
57	PCMSPV2-P57	O-RING
58	PCMSPV2-P58	INJECTOR
59	PCMSPV2-P59	O-RING
60	SB-5.0	STEEL BALL 5.0mm
61	PCMSPV2-P61	O-RING
62	PCMSPV2-P62	INJECTOR SPRING
63	PCMSPV2-P63	BOLT
64	PCMSPV2-P64	REGULATING PRESSURE HANDLE GRIP
65	SCB620.S	SOCKET CAP BOLT ZINC M6X20
66	SN6.S	STEEL NUT M6 ZINC DIN934 (SINGLE)
67	PCMSPV2-P67	VALVE CAP
68	PCMSPV2-P68	SPRING SEAT
69	PCMSPV2-P69	REGULATING PRESSURE SPRING
70	PCMSPV2-P70	NUT (LSA)
71	PCMSPV2-P71	VALVE BODY
72	PCMSPV2-P72	VALVE NUT
73	PCMSPV2-P73	BLOCK RING
74	PCMSPV2-P74	O-RING
75	PCMSPV2-P75	BLOCK RING
76	PCMSPV2-P76	O-RING
77	PCMSPV2-P77	O-RING
78	PCMSPV2-P78	O-RING
79	PCMSPV2-P79	VALVE PIN
80	PCMSPV2-P80	O-RING
81	PCMSPV2-P81	REGULATING PRESSURE VALVE SEAT
--	PCMSPV2-P82	VALVE COVER (NOT SHOWN)
--	PCMSPV2-P83	VALVE SPRING (NOT SHOWN)
--	PCMSPV2-P84	VALVE GASKET (NOT SHOWN)
--	PCMSPV2-P85	O RING (9.8 X 1.8) (NOT SHOWN)
--	PCMSPV2-P86	VALVE SEAT (NOT SHOWN)

**NOTE:** It is our policy to continually improve products and as such we reserve the right to alter data, specifications and component parts without prior notice.

**IMPORTANT:** No liability is accepted for incorrect use of product.

**WARRANTY:** Guarantee is 12 months from purchase date, proof of which will be required for any claim.

**Sealey Group**, Kempson Way, Suffolk Business Park, Bury St Edmunds, Suffolk. IP32 7AR



01284 757500



01284 703534



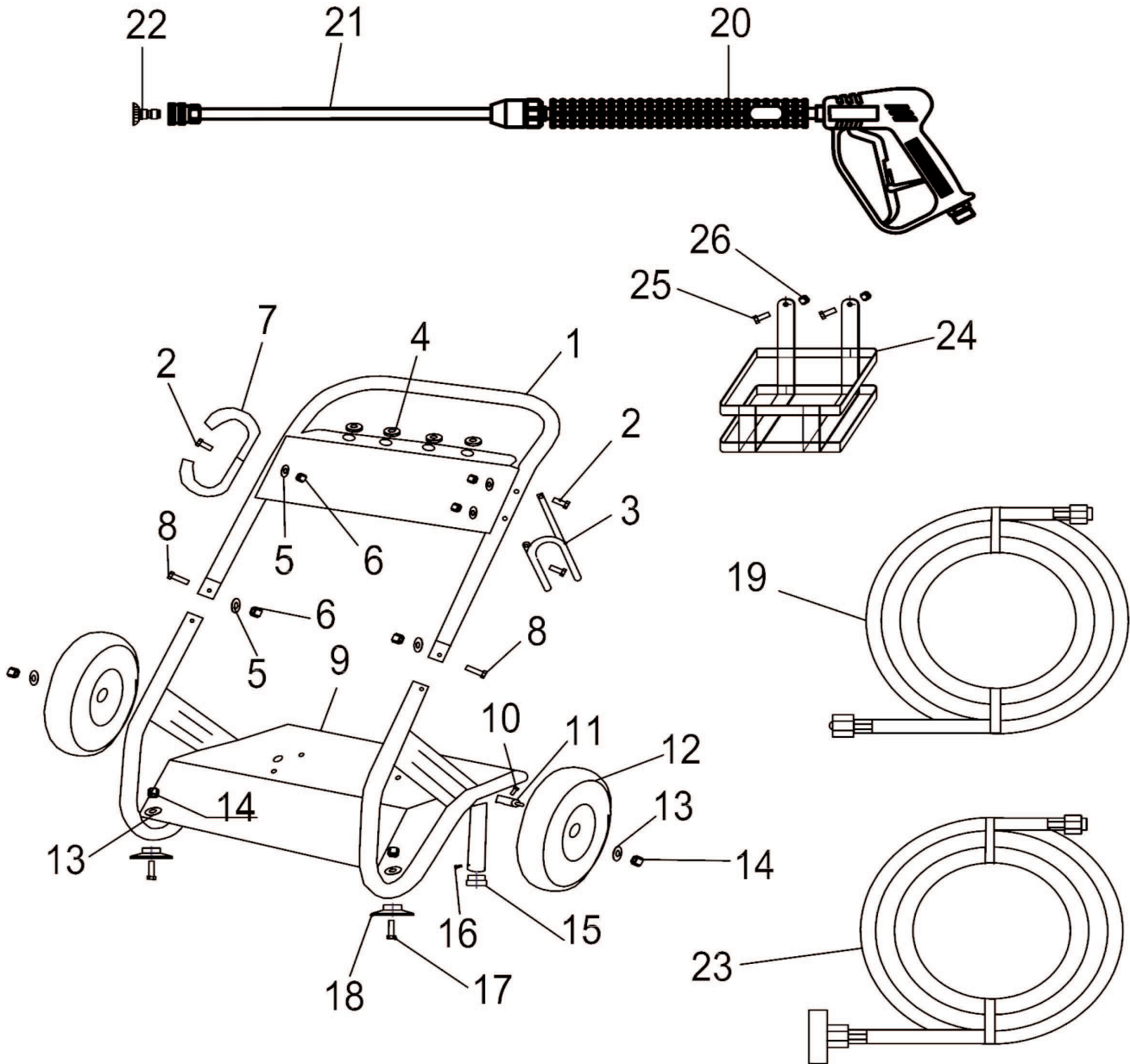
sales@sealey.co.uk



www.sealey.co.uk



Parts Information:  
Petrol Pressure Washer 220bar 10ltr/min  
6.5hp Self Priming  
Model No: PCM2500SP.V2



**NOTE:** It is our policy to continually improve products and as such we reserve the right to alter data, specifications and component parts without prior notice.

**IMPORTANT:** No liability is accepted for incorrect use of product.

**WARRANTY:** Guarantee is 12 months from purchase date, proof of which will be required for any claim.

Sealey Group, Kempson Way, Suffolk Business Park, Bury St Edmunds, Suffolk. IP32 7AR



01284 757500



01284 703534



sales@sealey.co.uk



www.sealey.co.uk



Parts Information:  
**Petrol Pressure Washer 220bar 10ltr/min  
6.5hp Self Priming  
Model No: PCM2500SP.V2**

Item	Part No.	Description
1	PCM2500SP.F01	UPPER FRAME
2	SCB645.S	SOCKET CAP BOLT ZINC M6X45
3	PCM2500SP.F03	HOSE HOOK
4	PCM2500SP.F04	NOZZLE SLEEVE
5	FWM6.S	FLAT WASHER M6 SINGLE
6	NLN6.S	NYLOC NUT M6 ZINC DIN 985 (SINGLE)
7	PCM2500SP.F07	GUN HOOK
8	SCB645.S	SOCKET CAP BOLT ZINC M6X45
9	PCM2500SP.F09	FRAME BASE
10	PCM2500SP.F10	SCREW (M6*18)
11	PCM2500SP.F11	AXLE
12	CST998.01	WHEEL,PNEUMATIC 4.10/3.50-4 (250x16x78)
13	PCM2500SP.F13	FLAT WASHER

Item	Part No.	Description
14	NLN8.S	NYLOC NUT M8 ZINC DIN 985 (SINGLE)
15	PCM2500SP.F15	RUBBER FOOT
16	PCM2500SP.F16	SCREW M3x12
17	PCM2500SP.F17	SCREW M8x45
18	PCM2500SP.F18	RUBBER FOOT
19	PCM2500SP.F19	HOSE (M22/14mm-M22/14mm) 5M LONG
20	PCM2500SP.F20	GUN
21	PCM2500SP.F21	LANCE
22	PCM2500SP.F22	NOZZLE (SET OF 4)
23	PCM2500SP.F23	WATER SUCTION HOSE
24	PCM2500SP.F24	DETERGENT HOLDER
25	SS818.S	HEX HEAD SET SCREW M8x18mm SINGLE
26	NLN8.S	NYLOC NUT M8 ZINC DIN 985 (SINGLE)

**NOTE:** It is our policy to continually improve products and as such we reserve the right to alter data, specifications and component parts without prior notice.

**IMPORTANT:** No liability is accepted for incorrect use of product.

**WARRANTY:** Guarantee is 12 months from purchase date, proof of which will be required for any claim.

**Sealey Group**, Kempson Way, Suffolk Business Park, Bury St Edmunds, Suffolk. IP32 7AR



01284 757500



01284 703534



sales@sealey.co.uk



www.sealey.co.uk