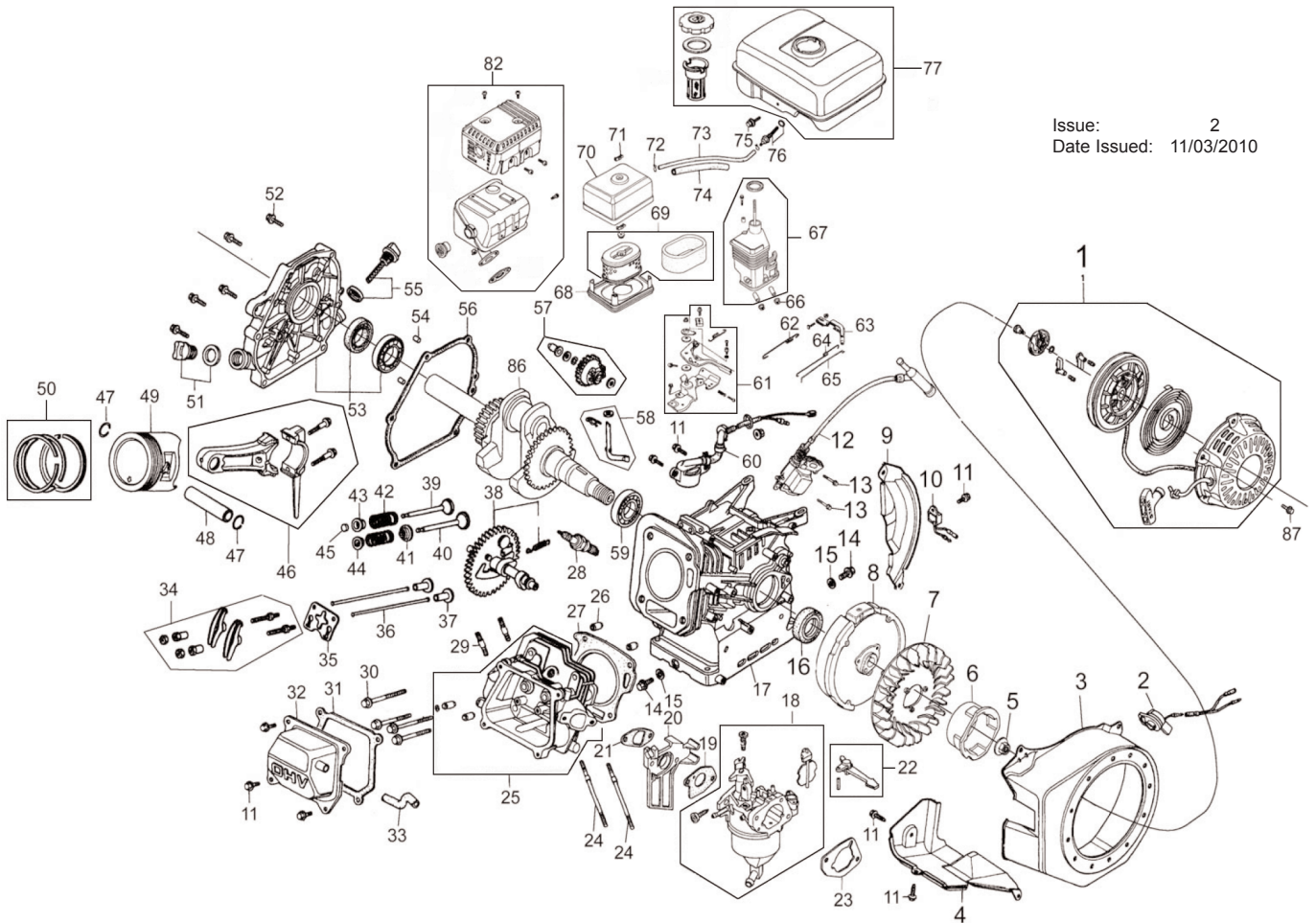


ENGINE PARTS

Issue: 2
 Date Issued: 11/03/2010



ITEM	PART NO	DESCRIPTION	ITEM	PART NO	DESCRIPTION	ITEM	PART NO	DESCRIPTION
1	PCM2500.01	RECOIL STARTER COMP.	28	PCM2500.28	SPARK PLUG	55	PCM2500.55	OIL FILLER CAP ASS'Y
2	PCM2500.02	SWITCH	29	PCM2500.29	BOLT HEAD (M8x32)	56	PCM2500.56	CASE COVER PACKING
3	PCM2500.03	FAN COVER COMPLETE	30	PCM2500.30	FLANGE BOLT (M8x60)	57	PCM2500.57	GOVERNOR ASS'Y
4	PCM2500.04	SHROUD COMPLETE	31	PCM2500.31	EXHAUST GASKET	58	PCM2500.58	SHAFT, GOVERNOR ASS'Y
5	PCM2500.05	FLANGE NUT M14	32	PCM2500.32	HEAD COVER COMPLETE	59	PCM2500.59	RADIAL BEARING (6025)
6	PCM2500.06	STARTER PULLEY	33	PCM2500.33	MUFFLER GASKET	60	PCM2500.60	OIL LEVEL SWITCH ASS'Y
7	PCM2500.07	COOLING FAN	34	PCM2500.34	VALVE ROCKER ARM ASS'Y	61	PCM2500.61	CONTROL ASS'Y
8	PCM2500.08	FLYWHEEL COMPLETE	35	PCM2500.35	PUSHROD GUIDE PLATE	62	PCM2500.62	GOVERNOR SPRING
9	PCM2500.09	SIDE PLATE	36	PCM2500.36	PUSHROD	63	PCM2500.63	GOVERNOR ARM
10	PCM2500.10	DIODE	37	PCM2500.37	VALVE LIFTER	64	PCM2500.64	THROTTLE RETURN SPRING
11	PCM2500.11	FLANGE BOLT (M6x12)	38	PCM2500.38	CAMSHAFT ASS'Y	65	PCM2500.65	GOVERNOR ROD
12	PCM2500.12	IGNITION COIL ASS'Y	39	PCM2500.39	VALVE, EX.	66	PCM2500.66	NUT M6
13	PCM2500.13	FLANGE BOLT (M6x25)	40	PCM2500.40	VALVE, IN.	67	PCM2500.67	AIR CLEANER CASE COMP.
14	PCM2500.14	DRAIN BOLT	41	PCM2500.41	VALVE SPRING SEAT	68	PCM2500.68	AIR CLEANER SEPARATOR
15	PCM2500.15	DRAIN WASHER	42	PCM2500.42	VALVE SPRING	69	PCM2500.69	AIR CLEANER ELEMENT
16	PCM2500.16	OIL SEAL (24*41.25*6)	43	PCM2500.43	VALVE SPRING RETAINER, EX.	70	PCM2500.70	AIR CLEANER COVER
17	PCM2500.17	CRANKCASE ASS'Y	44	PCM2500.44	VALVE SPRING RETAINER, IN.	71	PCM2500.71	NUT M6
18	PCM2500.18	CARBURETOR ASS'Y	45	PCM2500.45	VALVE ROTATOR	72	PCM2500.72	TUBE CLIP
19	PCM2500.19	CARBURETOR PACKING	46	PCM2500.46	CONNECTING ROD ASS'Y	73	PCM2500.73	FUEL TUBE
20	PCM2500.20	CARBURETOR INSULATOR	47	PCM2500.47	PISTON PIN CLIP	74	PCM2500.74	RUBBER SUPPORT
21	PCM2500.21	INSULATOR PACKING	48	PCM2500.48	PISTON PIN	75	PCM2500.75	FLANGE BOLT (M6x25)
22	PCM2500.22	CHOKE LEVEL COMPLETE	49	PCM2500.49	PISTON	76	PCM2500.76	FUEL TANK JOINT
23	PCM2500.23	AIR CLEANER PACKING	50	PCM2500.50	PISTON RING SET	77	PCM2500.77	FUEL TANK
24	PCM2500.24	BOLT HEAD (6x112)	51	PCM2500.51	OIL CAP	82	PCM2500.82	MUFFLER ASS'Y
25	PCM2500.25	CYLINDER HEAD COMP.	52	PCM2500.52	FLANGE BOLT (M8x32)	86	PCM2500.86	CRANKSHAFT COMPLETE
26	PCM2500.26	DOWEL PIN (10x16)	53	PCM2500.53	CRANKCASE COVER ASS'Y	87	PCM2500.87	FLANGE BOLT (M6x8)
27	PCM2500.27	CYLINDER HEAD GASKET	54	PCM2500.54	DOWEL PIN (8x14)			

NOTE: It is our policy to continually improve products and as such we reserve the right to alter data, specifications and component parts without prior notice.

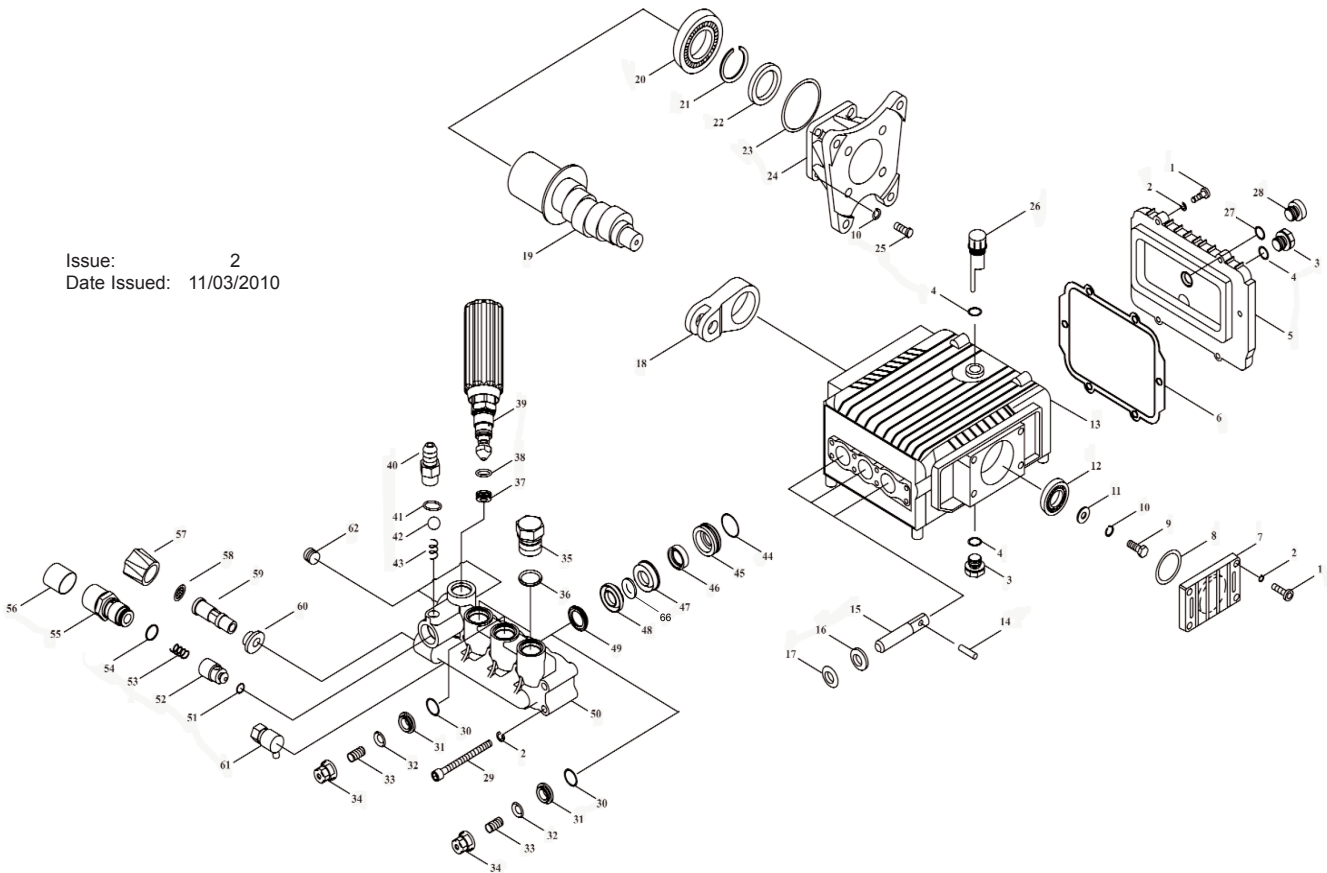
IMPORTANT: No liability is accepted for incorrect use of product.

WARRANTY: Guarantee is 12 months from purchase date, proof of which will be required for any claim.

INFORMATION: For a copy of our latest catalogue and promotions call us on 01284 757525 and leave your full name and address, including postcode.

PUMP PARTS

Issue: 2
 Date Issued: 11/03/2010



ITEM	PART NO	DESCRIPTION	ITEM	PART NO	DESCRIPTION
1	PCM2500SP.P01	SCREW M6x16	33	PCM2500SP.P33	VALVE SPRING
2	PCM2500SP.P02	SPRING WASHER	34	PCM2500SP.P34	VALVE JACKET
3	PCM2500SP.P03	PLUGGER	35	PCM2500SP.P35	BULKHEAD
4	PCM2500SP.P04	O-RING (13.2x2.65)	36	PCM2500SP.P36	O-RING (15x1.8)
5	PCM2500SP.P05	BACK COVER	37	PCM2500SP.P37	VALVE SEAT
6	PCM2500SP.P06	SEAL	38	PCM2500SP.P38	O-RING (11.2x1.8)
7	PCM2500SP.P07	COVER	39	PCM2500SP.P39	UNLOADER VALVE
8	PCM2500SP.P08	O-RING (47.5x1.8)	40	PCM2500SP.P40	DETERGENT INJECTION CONNECTOR
9	PCM2500SP.P09	BOLT (M8x16)	41	PCM2500SP.P41	O-RING (4.5x1.8)
10	PCM2500SP.P10	SPRING WASHER	42	PCM2500SP.P42	STEEL BALL
11	PCM2500SP.P11	GASKET	43	PCM2500SP.P43	SPRING
12	PCM2500SP.P12	BEARING	44	PCM2500SP.P44	O-RING (24x1.8)
13	PCM2500SP.P13	HOUSING	45	PCM2500SP.P45	SEAL RING SEAT
14	PCM2500SP.P14	PIN	46	PCM2500SP.P46	SEAL RING
15	PCM2500SP.P15	PLUNGER	47	PCM2500SP.P47	SEAL RING SEAT
16	PCM2500SP.P16	OIL SEAL	48	PCM2500SP.P48	V-SEAL RING
17	PCM2500SP.P17	SEAL RING	49	PCM2500SP.P49	V-RING
18	PCM2500SP.P18	CONNECTING ROD	50	PCM2500SP.P50	PUMP BODY
19	PCM2500SP.P19	CRANKSHAFT	51	PCM2500SP.P51	O-RING (4x2.65)
20	PCM2500SP.P20	BEARING	52	PCM2500SP.P52	CHECK VALVE CORE
21	PCM2500SP.P21	RETAINING RING	53	PCM2500SP.P53	CHECK VALVE SPRING
22	PCM2500SP.P22	SEAL RING (38x58x8)	54	PCM2500SP.P54	O-RING (12.5x1.8)
23	PCM2500SP.P23	O-RING (50x2.65)	55	PCM2500SP.P55	OUTLET CONNECTOR
24	PCM2500SP.P24	CONNECTING FLANGE	56	PCM2500SP.P56	SCREW
25	PCM2500SP.P25	SCREW (M8x25)	57	PCM2500SP.P57	NUT
26	PCM2500SP.P26	OIL GAUGE	58	PCM2500SP.P58	FILTER
27	PCM2500SP.P27	WASHER (20x15.8x1)	59	PCM2500SP.P59	INLET CONNECTOR
28	PCM2500SP.P28	OIL MARK	60	PCM2500SP.P60	GASKET
29	PCM2500SP.P29	SCREW (M6x55)	61	PCM2500SP.P61	THERMAL PROTECTION
30	PCM2500SP.P30	O-RING (11.8x1.8)	62	PCM2500SP.P62	PLUGGER
31	PCM2500SP.P31	VALVE SEAT	66	PCM2500SP.P66	GASKET
32	PCM2500SP.P32	VALVE PLATE			

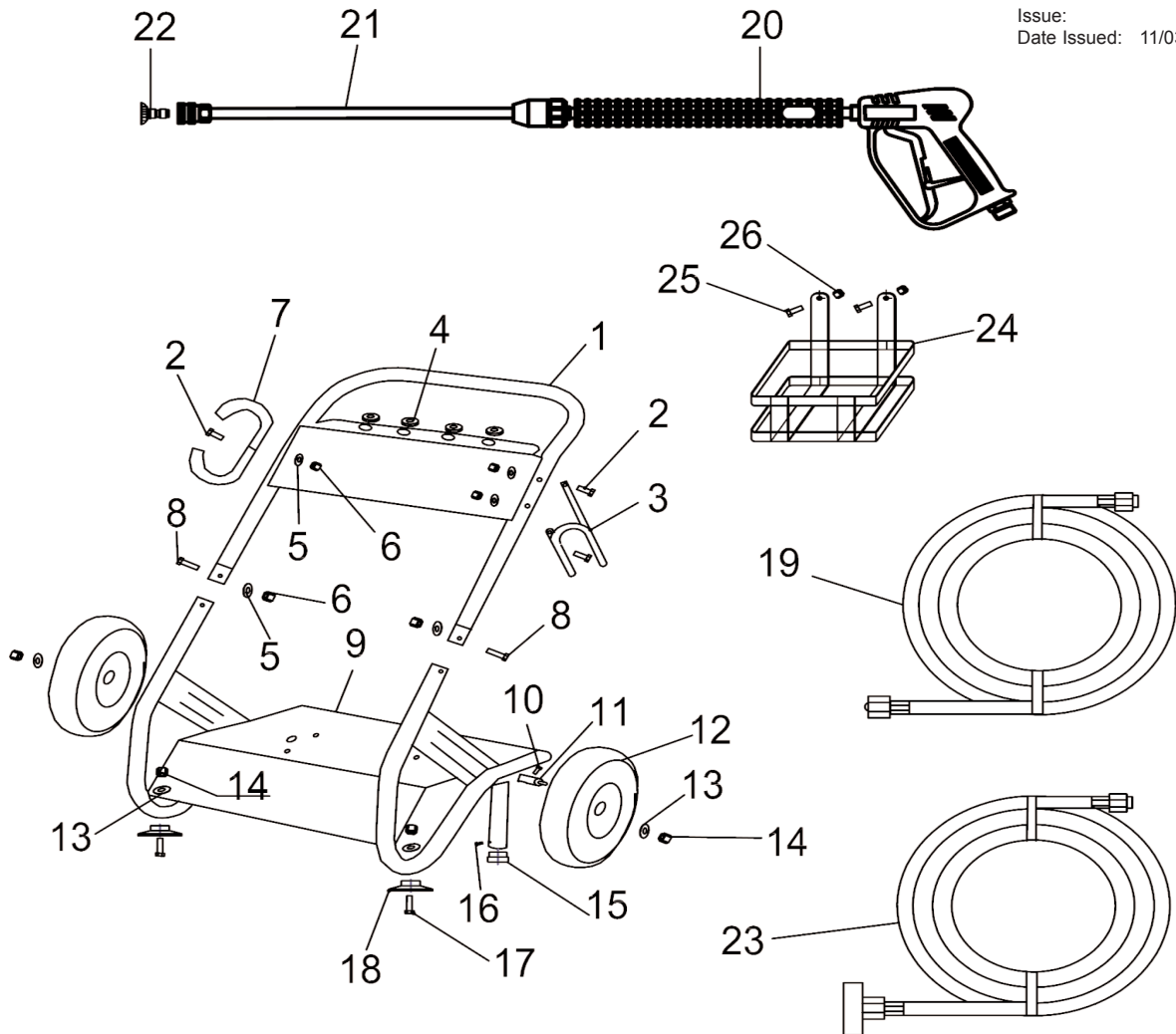
NOTE: It is our policy to continually improve products and as such we reserve the right to alter data, specifications and component parts without prior notice.

IMPORTANT: No liability is accepted for incorrect use of product.

WARRANTY: Guarantee is 12 months from purchase date, proof of which will be required for any claim.

INFORMATION: For a copy of our latest catalogue and promotions call us on 01284 757525 and leave your full name and address, including postcode.

FRAME PARTS



Issue: 2
 Date Issued: 11/03/2010

ITEM	PART NO	DESCRIPTION
1	PCM2500SP.F01	UPPER FRAME
2	PCM2500SP.F02	SCREW M6x45
3	PCM2500SP.F03	HOSE HOOK
4	PCM2500SP.F04	NOZZLE SLEEVE
5	PCM2500SP.F05	FLAT WASHER
6	PCM2500SP.F06	LOCKNUT M6
7	PCM2500SP.F07	GUN HOOK
8	PCM2500SP.F08	SCREW (M6*45)
9	PCM2500SP.F09	FRAME BASE
10	PCM2500SP.F10	SCREW (M6*18)
11	PCM2500SP.F11	AXLE
12	PCM2500SP.F12	WHEEL
13	PCM2500SP.F13	FLAT WASHER

ITEM	PART NO	DESCRIPTION
14	PCM2500SP.F14	LOCK NUT
15	PCM2500SP.F15	RUBBER FOOT
16	PCM2500SP.F16	SCREW M3x12
17	PCM2500SP.F17	SCREW M8x45
18	PCM2500SP.F18	RUBBER FOOT
19	PCM2500SP.F19	HIGH PRESSURE HOSE
20	PCM2500SP.F20	GUN
21	PCM2500SP.F21	LANCE
22	PCM2500SP.F22	NOZZLE
23	PCM2500SP.F23	WATER SUCTION HOSE
24	PCM2500SP.F24	DETERGENT HOLDER
25	PCM2500SP.F25	SCREW M8x15
26	PCM2500SP.F26	NUT

NOTE: It is our policy to continually improve products and as such we reserve the right to alter data, specifications and component parts without prior notice.

IMPORTANT: No liability is accepted for incorrect use of product.

WARRANTY: Guarantee is 12 months from purchase date, proof of which will be required for any claim.

INFORMATION: For a copy of our latest catalogue and promotions call us on 01284 757525 and leave your full name and address, including postcode.