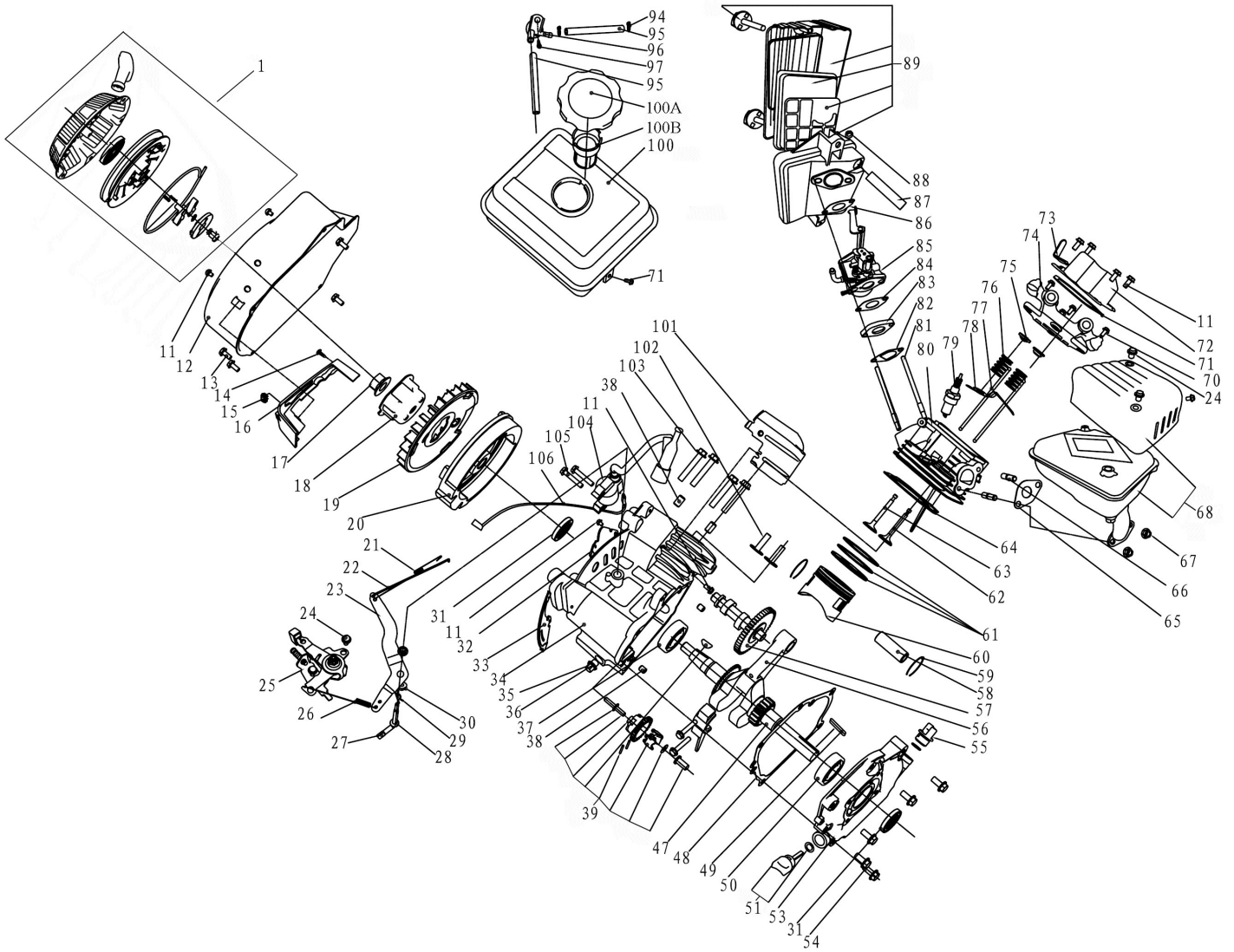




Parts Information:
Petrol Pressure Washer 130bar 7ltr/min
2.4hp
Model No: PCM1300.V2



NOTE: It is our policy to continually improve products and as such we reserve the right to alter data, specifications and component parts without prior notice.

IMPORTANT: No liability is accepted for incorrect use of product.

WARRANTY: Guarantee is 12 months from purchase date, proof of which will be required for any claim.

Sealey Group, Kempson Way, Suffolk Business Park, Bury St Edmunds, Suffolk. IP32 7AR



01284 757500



01284 703534



sales@sealey.co.uk



www.sealey.co.uk



Parts Information:
**Petrol Pressure Washer 130bar 7ltr/min
 2.4hp
 Model No: PCM1300.V2**

Item	Part No.	Description
1	PCM1300.01	RECOIL ASSEMBLY
11	SFS612.S	HEX HEAD FLANGE BOLT M6x12 SINGLE
12	PCM1300.12	FAN COVER
13	PCM1300.13	STUD BOLT (M6x10)
14	PCM1300.14	SCREW (M6x16)
15	P75-012-0110	POWER SWITCH (ROCKER)
16	PCM1300.16	FACEPLATE
17	FN10.S	FLANGE NUT SERRATED M10 ZINC (SINGLE)
18	PCM1300.18	START HUB
19	PCM1300.19	FAN
20	PCM1300.20	FLYWHEEL
21	PCM1300.21	THROTTLE RETURN SPRING
22	PCM1300.22	GOVERNOR ROD
23	PCM1300.23	GOVERNOR ARM
24	PCM1300.24	FLANGE BOLT M6X8
25	PCM1300.25	GOVERNOR SEAT
26	PCM1300.26	GOVERNOR ARM SHAFT (SPRING)
27	PCM1300.27	ARM SHAFT GASKET
28	PCM1300.28	GOVERNOR ARM SHAFT (WASHER,M8)
29	PCM1300.29	LOCK PIN
30	FN6.S	FLANGE NUT SERRATED M6 ZINC (SINGLE)
31	PCM1300.31	CRANKSHAFT OIL SEAL (30x18x7)
32	PCM1300.32	FRONT SHROUD
33	PCM1300.33	BACK SHROUD
34	PCM1300.34	CRANKCASE
35	PCM1300.35	FLANGE BOLT M10X15
36	PCM1300.36	DRAIN PLUG WASHER
37	B/6203	BEARING 6203
38	PCM1300.38	DOWEL PIN
39	PCM1300.39	GOVERNOR ASS'Y
47	PCM1300.47	CRANKSHAFT
48	PCM1300.48	CRANKSHAFT COVER GASKET
49	PCM1300.49	PIN
50	B/6303	BEARING 6306
51	PCM1300.51	OIL LEVEL (c/w GASKET)
53	PCM1300.53	CRANKCASE COVER
54	PCM1300.54	FLANGE BOLT M6X25
55	PCM1300.55	OIL STOPPER
56	PCM1300.56	CONNECTING ROD
57	PCM1300.57	CAMSHAFT ASS'Y
58	PCM1300.58	PISTON PIN (8x14)
59	PCM1300.59	PISTON PIN CLIP
60	PCM1300.60	PISTON

Item	Part No.	Description
61	PCM1300.61	PISTON RING
62	PCM1300.62	EXHAUST VALVE
63	PCM1300.63	INTAKE VALVE
64	PCM1300.64	CYLINDER GASKET
65	PCM1300.65	MUFFLER GASKET
66	PCM1300.66	STUD BOLT
67	FN8.S	FLANGE NUT SERRATED M8 ZINC (SINGLE)
68	PCM1300.68	MUFFLER ASS'Y
70	SFS616.S	HEX HEAD FLANGE BOLT M6x16 SINGLE
71	PCM1300.71	CYLINDER COVER GASKET
72	PCM1300.72	CYLINDER COVER
73	PCM1300.73	CLIP
74	PCM1300.74	VALVE ROCKER ARM
75	PCM1300.75	VALVE SPRING SEAT
76	PCM1300.76	VALVE SPRING
77	PCM1300.77	PUSH ROD
78	PCM1300.78	OIL BLOCK
79	PCM1300.79	SPARK PLUG
80	PCM1300.80	CYLINDER ASS'Y
81	PCM1300.81	STUD BOLT
82	PCM1300.84	INSULATOR GASKET
83	PCM1300.83	CARBURETOR INSULATOR
84	PCM1300.84	INSULATOR GASKET
85	PCM1300.85	CARBURETOR ASS'Y
86	PCM1300.86	AIR CLEANER GASKET
87	PCM1300.87	VENT-PIPE
88	FN6.S	FLANGE NUT SERRATED M6 ZINC (SINGLE)
89	PCM1300.89	AIR CLEANER ASS'Y
94	PCM1300.94	CLIP
95	PCM1300.95	FUEL PIPE
96	PCM1300.96	FUEL COCK
97	PCM1300.97	SCREW (M4x12)
100	PCM1300.100	FUEL TANK ASS'Y
100A	PCM1300.100A	TANK CAP
100B	PCM1300.100B	FUEL FILTER
101	PCM1300.101	UPPER SHROUD
102	PCM1300.102	VALVE LIFTER
103	PCM2500.30	FLANGE BOLT M8X55
104	PCM1300.104	IGNITION ASS'Y
105	PCM1300.105	FLANGE BOLT M6X20
106	PCM1300.106	FLAMEOUT WIRE
--	PCM1300.L	LABEL SET (NOT SHOWN)

NOTE: It is our policy to continually improve products and as such we reserve the right to alter data, specifications and component parts without prior notice.

IMPORTANT: No liability is accepted for incorrect use of product.

WARRANTY: Guarantee is 12 months from purchase date, proof of which will be required for any claim.

Sealey Group, Kempson Way, Suffolk Business Park, Bury St Edmunds, Suffolk. IP32 7AR



01284 757500



01284 703534



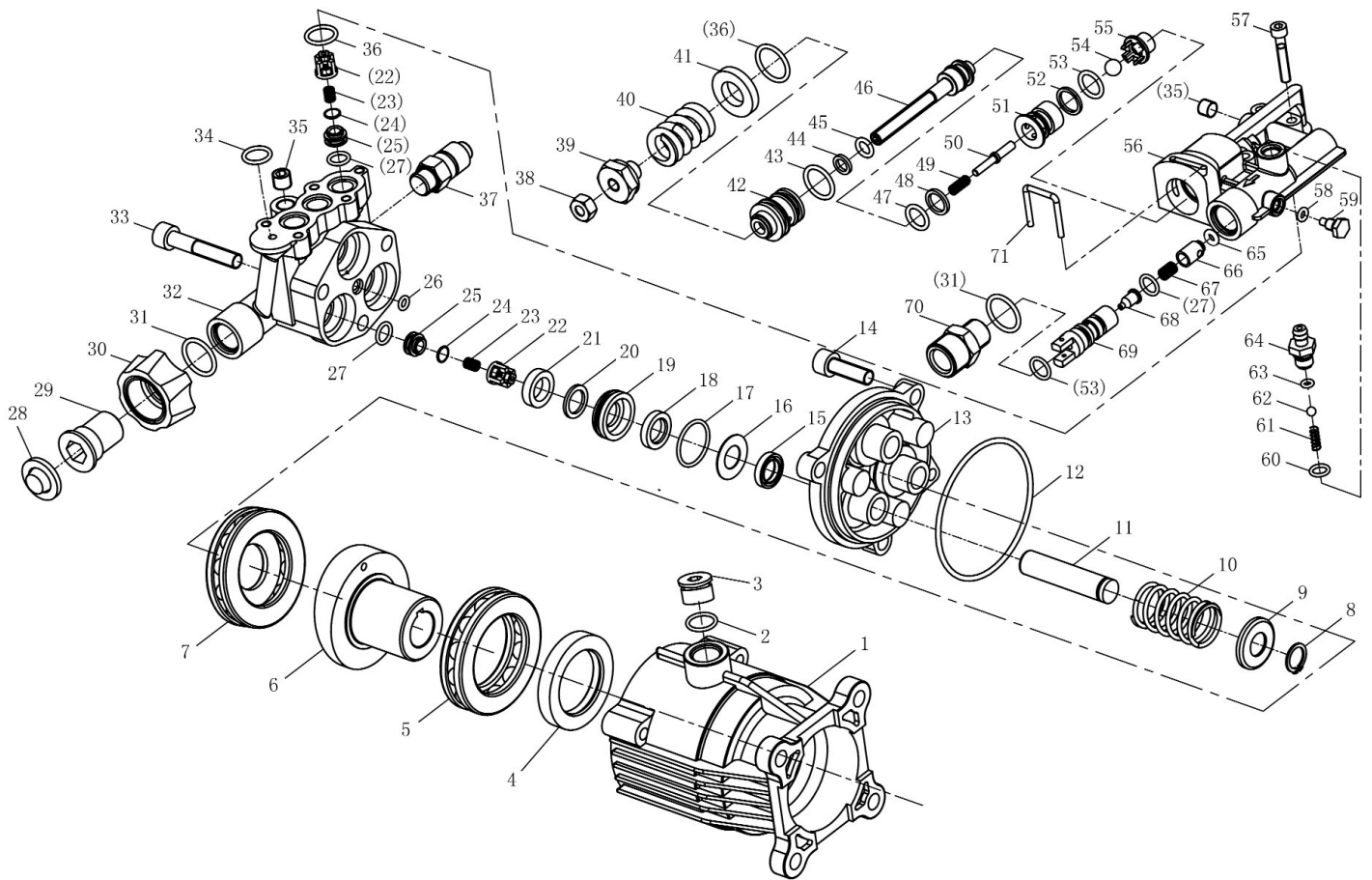
sales@sealey.co.uk



www.sealey.co.uk



Parts Information:
**Petrol Pressure Washer 130bar 7ltr/min
2.4hp
Model No: PCM1300.V2**



NOTE: It is our policy to continually improve products and as such we reserve the right to alter data, specifications and component parts without prior notice.

IMPORTANT: No liability is accepted for incorrect use of product.

WARRANTY: Guarantee is 12 months from purchase date, proof of which will be required for any claim.

Sealey Group, Kempson Way, Suffolk Business Park, Bury St Edmunds, Suffolk. IP32 7AR



01284 757500



01284 703534



sales@sealey.co.uk



www.sealey.co.uk



Parts Information:
Petrol Pressure Washer 130bar 7ltr/min
2.4hp
Model No: PCM1300.V2

Item	Part No.	Description
	PCM1300.V2.PU	PUMP ASSEMBLY (VERSION 2)
1	PCM2500.V2-01	WOBBLE PLATE
2	PCM2500.V2-02	O-RING (13.2*1.8)
3	PCM2500.V2-03	PLUG
4	PCM2500.V2-04	OIL SEAL
5	PCM2500.V2-05	THRUST BEARING
6	PCM1300.V2-06	WOBBLE PLATE
7	PCM2500.V2-07	THRUST BEARING
8	PCM2500.V2-08	RETAINING RING
9	PCM2500.V2-09	SPRING CLIP
10	PCM2500.V2-10	SPRING
11	PCM1300.V2-11	PISTON
12	PCM2500.V2-12	O-RING (73*2.65)
13	PCM2500.V2-13	PISTON SEAT
14	PCM2500.V2-14	SCREW (M8*25)
15	PCM2500.V2-15	OIL SEAL (12*20*6)
16	PCM2500.V2-16	WASHER 1/2" THIN
17	PCM2500.V2-17	O-RING (22.4*1.8)
18	PCM2500.V2-18	RUBBER SEAL WASHER (12*20*4)
19	PCM1300.V2-19	SEAL SEAT
20	PCM2500.V2-20	PLASTIC SEAL WASHER
21	PCM2500.V2-21	WATER SEAL (12*20*5)
22	PCM2500.V2-22	VALVE COVER
23	PCM2500.V2-23	VALVE SPRING
24	PCM2500.V2-24	VALVE PLATE
25	PCM2500.V2-25	VALVE SEAT
26	AVR2500A.P16	O-RING 4.5X1.8
27	PCM2500.V2-27	O-RING (9*1.8)
28	PCM2500.V2-28	WATER INLET FILTER
29	PCM2500.V2-29	WATER INLET CONNECTOR
30	PCM2500.V2-30	NUT
31	PCM2500.V2-31	O-RING (14*1.8)
32	PCM1300.V2-32	MANIFOLD
33	PCM2500.V2-33	SCREW (M8*45)
34	PCM2500.V2-34	O-RING (12*2)
35	PCM2500.V2-35	BLOCK

Item	Part No.	Description
36	PCM2500.V2-36	O-RING (14*2)
37	PCM2500.V2-37	THERMAL RELIEF
38	SN6.S	STEEL NUT M6 ZINC DIN934 (SINGLE)
39	PCM2500.V2-39	REGULATING NUT
40	PCM2500.V2-40	REGULATING SPRING
41	PCM2500.V2-41	THICK SEAL
42	PCM2500.V2-42	VALVE SHEATH
43	PCM2500.V2-43	O-RING (12.8*1.8)
44	PCM2500.V2-44	RETAINER RING (6.2*9*1.25)
45	PCM2500.V2-45	O-RING (6*1.8)
46	PCM2500.V2-46	VALVE ROD
47	PCM2500.V2-47	O-RING (8.5*1.8)
48	PCM2500.V2-48	RETAINER RING (8.7*11.6*1.2)
49	PCM2500.V2-49	SPRING
50	PCM2500.V2-50	PIN
51	PCM2500.V2-51	UPPER SEAT
52	PCM2500.V2-52	RETAINER RING (10.3*13*1.25)
53	PCM2500.V2-53	O-RING (10*1.8)
54	SB-7.0	STEEL BALL 7.0mm
55	PCM2500.V2-55	LOWER SEAT
56	PCM2500.V2-56	OUTLET VALVE BODY
57	PCM2500.V2-57	SCREW (M5*30)
58	PCM2500.V2-58	O-RING (4*2)
59	PCM2500.V2-59	BLOCK
60	PCM2500.V2-60	O-RING (7.5*1.8)
61	PCM2500.V2-61	INJECTOR SPRING
62	SB-5.6	STEEL BALL 5.6mm
63	PCM2500.V2-63	O-RING (3.55*1.8)
64	PCM2500.V2-64	INJECTOR
65	PCM2500.V2-65	O-RING (4*2.65)
66	PCM2500.V2-66	VALVE CORE
67	PCM2500.V2-67	VALVE SPRING
68	PCM2500.V2-68	NOZZLE
69	PCM2500.V2-69	PLUNGER
70	PCM2500.V2-70	OUTLET CONNECTOR
71	PCM2500.V2-71	U-PIN

NOTE: It is our policy to continually improve products and as such we reserve the right to alter data, specifications and component parts without prior notice.

IMPORTANT: No liability is accepted for incorrect use of product.

WARRANTY: Guarantee is 12 months from purchase date, proof of which will be required for any claim.

Sealey Group, Kempson Way, Suffolk Business Park, Bury St Edmunds, Suffolk. IP32 7AR



01284 757500



01284 703534



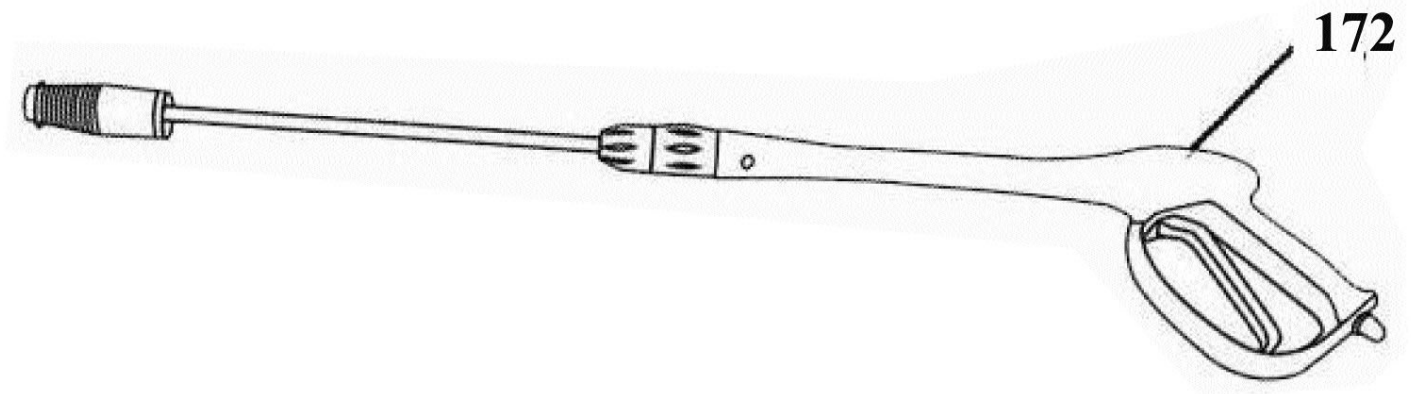
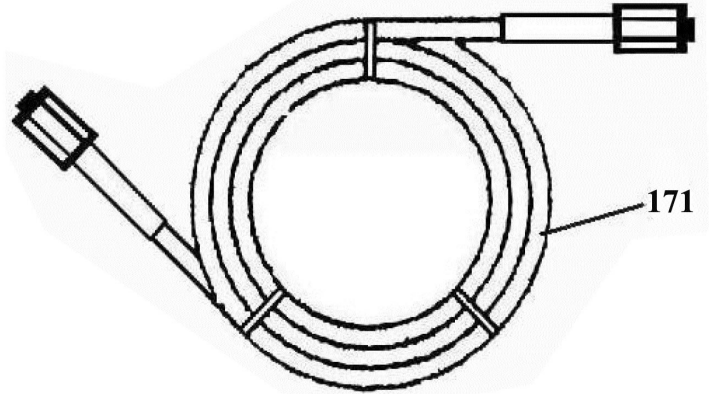
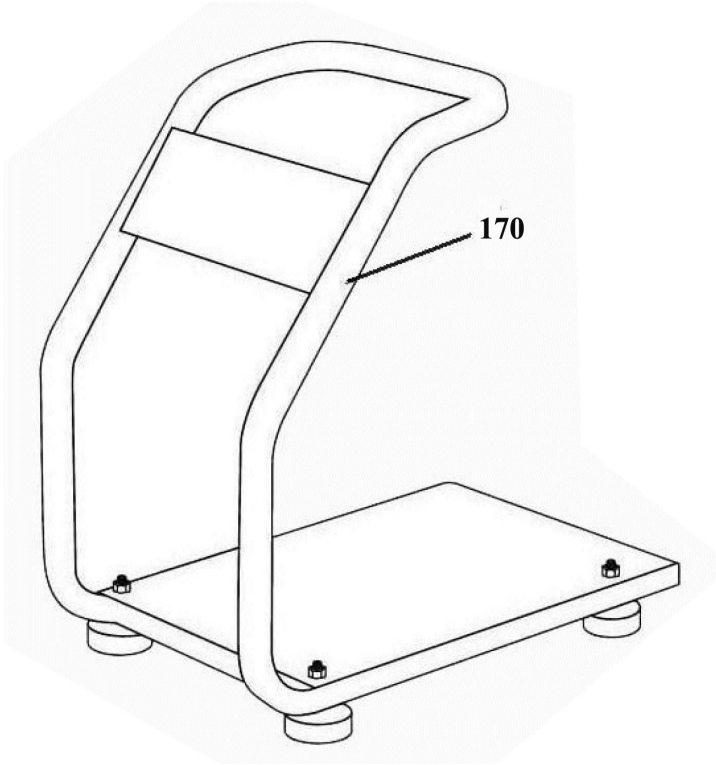
sales@sealey.co.uk



www.sealey.co.uk



Parts Information:
Petrol Pressure Washer 130bar 7ltr/min
2.4hp
Model No: PCM1300.V2



Item	Part No.	Description
170	PCM1300.170	FRAME
171	PC2701.40	HOSE (M22/15mm-GUN END 13mm F) 5M LONG
172	PCM1300.172	GUN COMPLETE WITH LANCE
--	PCM1300.172-1	LANCE (NOT SHOWN)
--	PCM1300.172-2	GUN (NOT SHOWN)

Item	Part No.	Description
--	PCM1300.173	VALVE ASSEMBLY (OUTLET) (NOT SHOWN)
--	PCM1300.174	VALVE ASSEMBLY (INLET) (NOT SHOWN)
--	PCM1300.175	ENGINE MOUNT RUBBER GASKET (NOT SHOWN)
--	PCM1300.C	INLET CONNECTOR (NOT SHOWN)

NOTE: It is our policy to continually improve products and as such we reserve the right to alter data, specifications and component parts without prior notice.

IMPORTANT: No liability is accepted for incorrect use of product.

WARRANTY: Guarantee is 12 months from purchase date, proof of which will be required for any claim.

Sealey Group, Kempson Way, Suffolk Business Park, Bury St Edmunds, Suffolk. IP32 7AR



01284 757500



01284 703534



sales@sealey.co.uk



www.sealey.co.uk