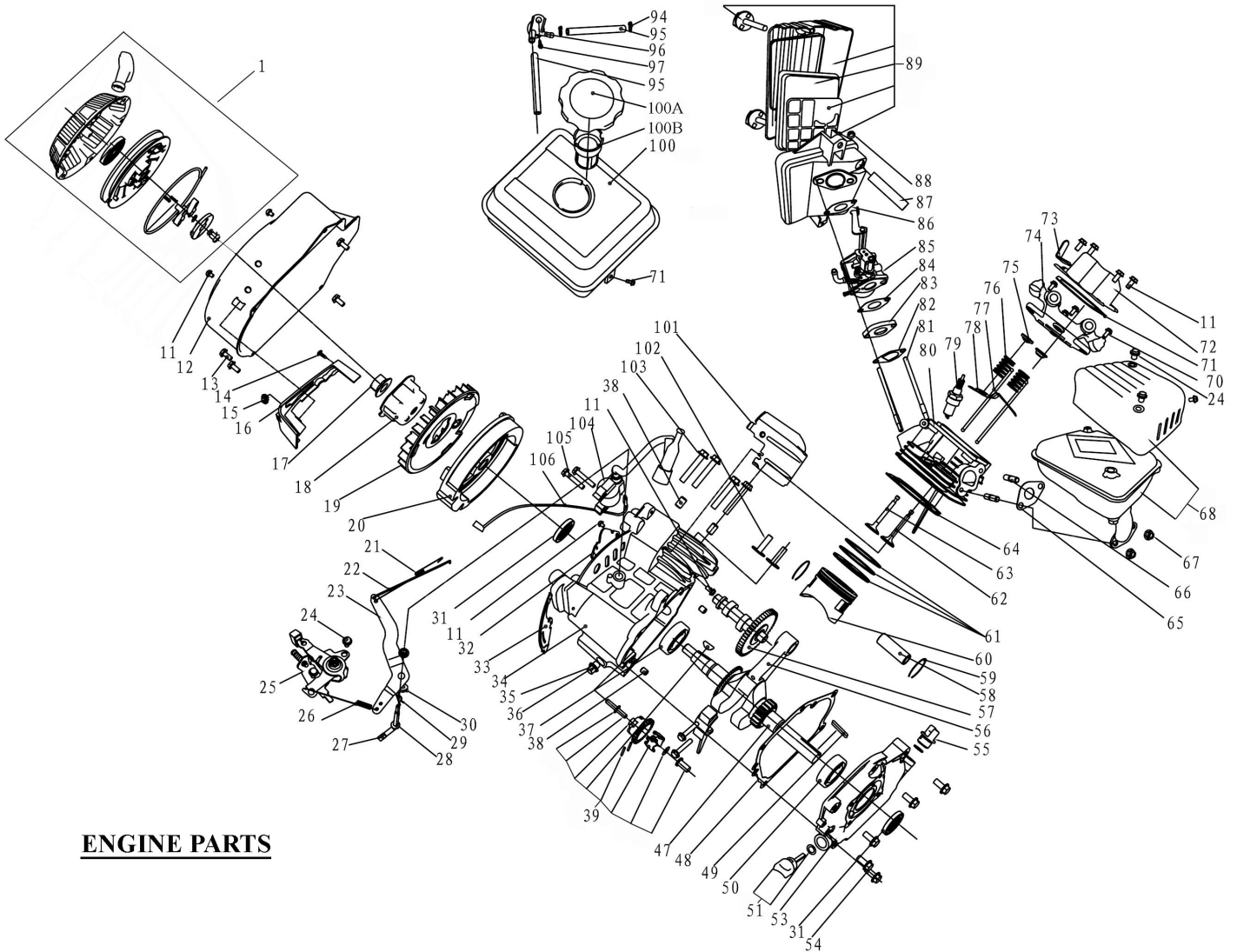




Parts Information:  
Petrol Pressure Washer 130bar 7ltr/min  
2.4hp  
Model No: PCM1300



**ENGINE PARTS**

**NOTE:** It is our policy to continually improve products and as such we reserve the right to alter data, specifications and component parts without prior notice.

**IMPORTANT:** No liability is accepted for incorrect use of product.

**WARRANTY:** Guarantee is 12 months from purchase date, proof of which will be required for any claim.

Sealey Group, Kempson Way, Suffolk Business Park, Bury St Edmunds, Suffolk. IP32 7AR



01284 757500



01284 703534



sales@sealey.co.uk



www.sealey.co.uk



Parts Information:  
**Petrol Pressure Washer 130bar 7ltr/min  
 2.4hp  
 Model No: PCM1300**

Item	Part No.	Description
1	PCM1300.01	RECOIL ASSEMBLY
--	PCM1300.MOTOR	COMPLETE MOTOR (NOT SHOWN)
11	SFS612.S	HEX HEAD FLANGE BOLT M6x12 SINGLE
12	PCM1300.12	FAN COVER
13	PCM1300.13	STUD BOLT (M6x10)
14	PCM1300.14	SCREW (M6x16)
15	P75-012-0110	POWER SWITCH (ROCKER)
16	PCM1300.16	FACEPLATE
17	FN10.S	FLANGE NUT SERRATED M10 ZINC (SINGLE)
18	PCM1300.18	START HUB
19	PCM1300.19	FAN
20	PCM1300.20	FLYWHEEL
21	PCM1300.21	THROTTLE RETURN SPRING
22	PCM1300.22	GOVERNOR ROD
23	PCM1300.23	GOVERNOR ARM
24	PCM1300.24	FLANGE BOLT M6X8
25	PCM1300.25	GOVERNOR SEAT
26	PCM1300.26	GOVERNOR ARM SHAFT (SPRING)
27	PCM1300.27	ARM SHAFT GASKET
28	PCM1300.28	GOVERNOR ARM SHAFT (WASHER,M8)
29	PCM1300.29	LOCK PIN
30	FN6.S	FLANGE NUT SERRATED M6 ZINC (SINGLE)
31	PCM1300.31	CRANKSHAFT OIL SEAL (30x18x7)
32	PCM1300.32	FRONT SHROUD
33	PCM1300.33	BACK SHROUD
34	PCM1300.34	CRANKCASE
35	PCM1300.35	FLANGE BOLT M10X15
36	PCM1300.36	DRAIN PLUG WASHER
37	B/6203	BEARING 6203
38	PCM1300.38	DOWEL PIN
39	PCM1300.39	GOVERNOR ASS'Y
47	PCM1300.47	CRANKSHAFT
48	PCM1300.48	CRANKSHAFT COVER GASKET
49	PCM1300.49	PIN
50	B/6303	BEARING 6306
51	PCM1300.51	OIL LEVEL (c/w GASKET)
53	PCM1300.53	CRANKCASE COVER
54	PCM1300.54	FLANGE BOLT M6X25
55	PCM1300.55	OIL STOPPER
56	PCM1300.56	CONNECTING ROD
57	PCM1300.57	CAMSHAFT ASS'Y
58	PCM1300.58	PISTON PIN (8x14)
59	PCM1300.59	PISTON PIN CLIP

Item	Part No.	Description
60	PCM1300.60	PISTON
61	PCM1300.61	PISTON RING
62	PCM1300.62	EXHAUST VALVE
63	PCM1300.63	INTAKE VALVE
64	PCM1300.64	CYLINDER GASKET
65	PCM1300.65	MUFFLER GASKET
66	PCM1300.66	STUD BOLT
67	FN8.S	FLANGE NUT SERRATED M8 ZINC (SINGLE)
68	PCM1300.68	MUFFLER ASS'Y
70	SFS616.S	HEX HEAD FLANGE BOLT M6x16 SINGLE
71	PCM1300.71	CYLINDER COVER GASKET
72	PCM1300.72	CYLINDER COVER
73	PCM1300.73	CLIP
74	PCM1300.74	VALVE ROCKER ARM
75	PCM1300.75	VALVE SPRING SEAT
76	PCM1300.76	VALVE SPRING
77	PCM1300.77	PUSH ROD
78	PCM1300.78	OIL BLOCK
79	PCM1300.79	SPARK PLUG
80	PCM1300.80	CYLINDER ASS'Y
81	PCM1300.81	STUD BOLT
82	PCM1300.84	INSULATOR GASKET
83	PCM1300.83	CARBURETOR INSULATOR
84	PCM1300.84	INSULATOR GASKET
85	PCM1300.85	CARBURETOR ASS'Y
86	PCM1300.86	AIR CLEANER GASKET
87	PCM1300.87	VENT-PIPE
88	FN6.S	FLANGE NUT SERRATED M6 ZINC (SINGLE)
89	PCM1300.89	AIR CLEANER ASS'Y
94	PCM1300.94	CLIP
95	PCM1300.95	FUEL PIPE
96	PCM1300.96	FUEL COCK
97	PCM1300.97	SCREW (M4x12)
100	PCM1300.100	FUEL TANK ASS'Y
100A	PCM1300.100A	TANK CAP
100B	PCM1300.100B	FUEL FILTER
101	PCM1300.101	UPPER SHROUD
102	PCM1300.102	VALVE LIFTER
103	PCM2500.30	FLANGE BOLT M8X55
104	PCM1300.104	IGNITION ASS'Y
105	PCM1300.105	FLANGE BOLT M6X20
106	PCM1300.106	FLAMEOUT WIRE

**NOTE:** It is our policy to continually improve products and as such we reserve the right to alter data, specifications and component parts without prior notice.

**IMPORTANT:** No liability is accepted for incorrect use of product.

**WARRANTY:** Guarantee is 12 months from purchase date, proof of which will be required for any claim.

**Sealey Group**, Kempson Way, Suffolk Business Park, Bury St Edmunds, Suffolk. IP32 7AR



01284 757500



01284 703534



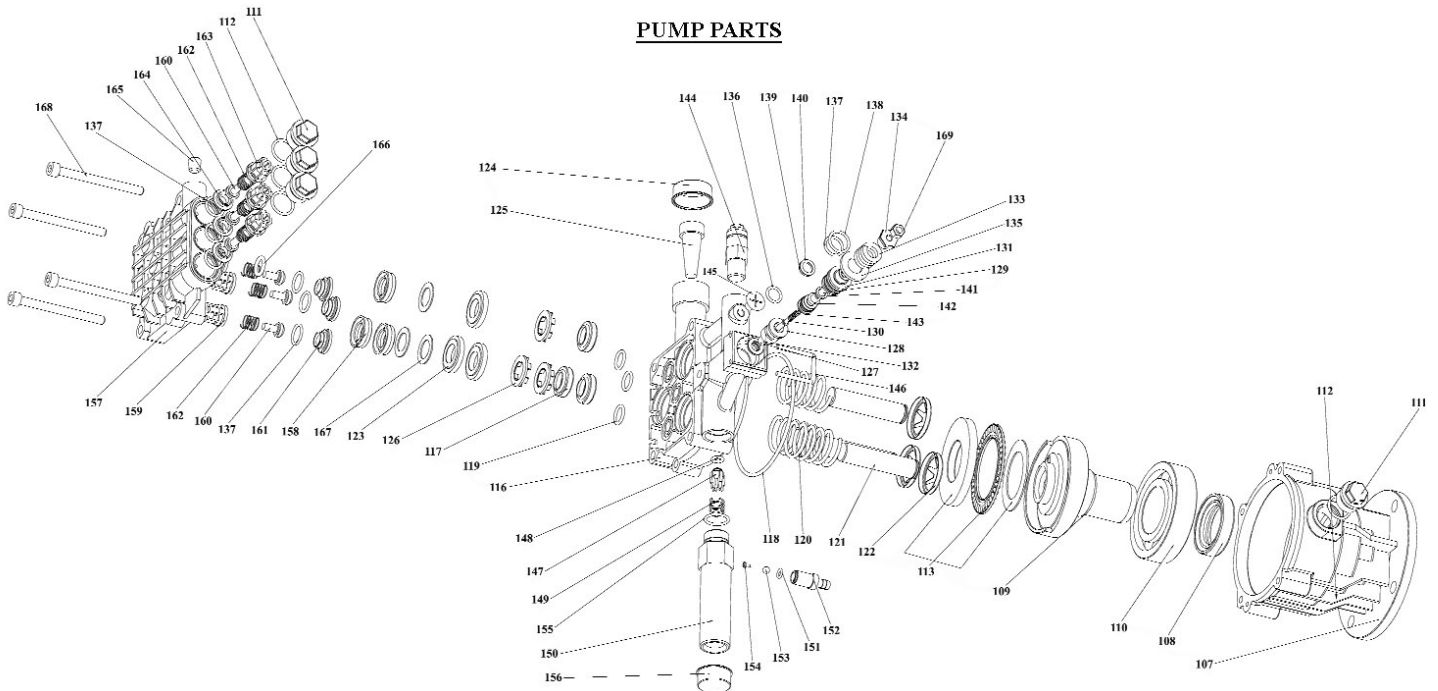
sales@sealey.co.uk



www.sealey.co.uk



Parts Information:  
Petrol Pressure Washer 130bar 7ltr/min  
2.4hp  
Model No: PCM1300



**NOTE:** It is our policy to continually improve products and as such we reserve the right to alter data, specifications and component parts without prior notice.

**IMPORTANT:** No liability is accepted for incorrect use of product.

**WARRANTY:** Guarantee is 12 months from purchase date, proof of which will be required for any claim.

Sealey Group, Kempson Way, Suffolk Business Park, Bury St Edmunds, Suffolk. IP32 7AR



01284 757500



01284 703534



sales@sealey.co.uk



www.sealey.co.uk



Parts Information:  
Petrol Pressure Washer 130bar 7ltr/min  
2.4hp  
Model No: PCM1300

Item	Part No.	Description
107	PCM1300.107	WHEEL BOX
108	PCM1300.108	SEAL RING
109	PCM1300.109	CAM
110	B/6207	BEARING 6207
111	PCM1300.111	PLUNGER
112	PCM1300.112	O-RING (15.4*1.8)
113	PCM1300.113	RACE BEARING ASS'Y
116	PCM1300.116	PUMP BASE
117	PCM1300.117	SEAL RING
118	PCM1300.118	OIL RING (87*2.5)
119	PCM1300.119	OIL RING (111*2)
120	PCM1300.120	SPRING
121	PCM1300.121	PLUNGER
122	PCM1300.122	SPRING SEAT
123	PCM1300.123	GASKET
124	PCM1300.124	COVER FOR WATER INLET
125	PCM1300.125	FILTER
126	PCM1300.126	SEAL RING COVER
127	PCM1300.127	SEAT
128	PCM1300.128	UPPER SEAT
129	PCM1300.130	TOP PIN (c/w VALVE CORE)
130	PCM1300.130	TOP PIN (c/w VALVE CORE)
131	PCM1300.131	VALVE JACKET
132	SB-7.0	STEEL BALL 7.0mm
133	PCM1300.133	REGULATING PRESSURE SPRING
134	PCM1300.134	REGULATING PRESSURE NUT
135	PCM1300.135	REGULATING PRESSURE WASHER
136	PCM1300.136	O-RING (9.5*1.8)
137	PCM1300.137	O-RING (12.4*1.8)
138	PWM2500.P06	O-RING (14x1.8)
139	PCM1300.139	SPLIT PIN

Item	Part No.	Description
140	PCM1300.140	O-RING (8.6*1.8)
141	PCM1300.141	SPLIT RING
142	PCM1300.142	O-RING (6.07*1.8)
143	PCM1300.143	VALVE CORE SPRING
144	PCM1300.144	THERMAL PROTECTION
145	PCM1300.145	SCREW (M6*10)
146	PCM1300.146	PIN
147	PCM1300.147	CHECK-VALVE CORE
148	PCM1300.148	O-RING (5.5*2)
149	PCM1300.149	CHECK VALVE SPRING
150	PCM1300.150	CONNECTOR
151	PCM1300.151	O-RING (4*1.5)
152	PCM1300.152	VALVE BODY
153	SB-5.6	STEEL BALL 5.6mm
154	PCM1300.154	SPRING
155	PCM1300.155	O-RING (15*1.8)
156	PCM1300.156	COVER FOR WATER OUTLET
157	PCM1300.157	PUMP COVER
158	PCM1300.158	Y-SEAL
159	PCM1300.159	BRACKET FOR INLET VALVE
160	PCM1300.160	VALVE CORE
161	PCM1300.161	GASKET
162	PCM1300.162	SPRING
163	PCM1300.163	BRACKET FOR OUTLET VALVE
164	PCM1300.164	GASKET
165	PCM1300.165	SCREW
166	PCM1300.166	O-RING (10*2.65)
167	PCM1300.167	GASKET
168	PCM1300.168	SCREW (M6*70)
169	SN6.S	STEEL NUT M6 ZINC DIN934 (SINGLE)

**NOTE:** It is our policy to continually improve products and as such we reserve the right to alter data, specifications and component parts without prior notice.

**IMPORTANT:** No liability is accepted for incorrect use of product.

**WARRANTY:** Guarantee is 12 months from purchase date, proof of which will be required for any claim.

Sealey Group, Kempson Way, Suffolk Business Park, Bury St Edmunds, Suffolk. IP32 7AR



01284 757500



01284 703534



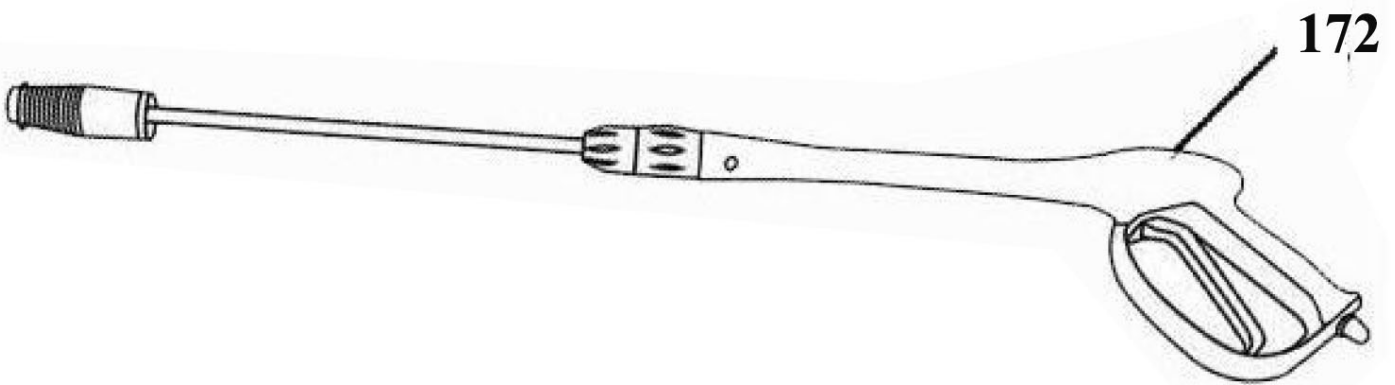
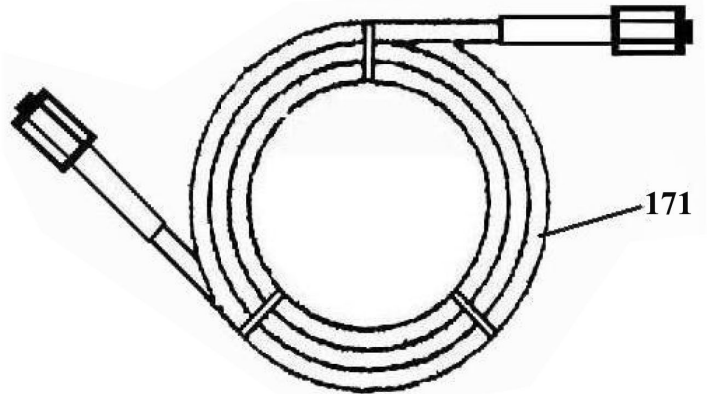
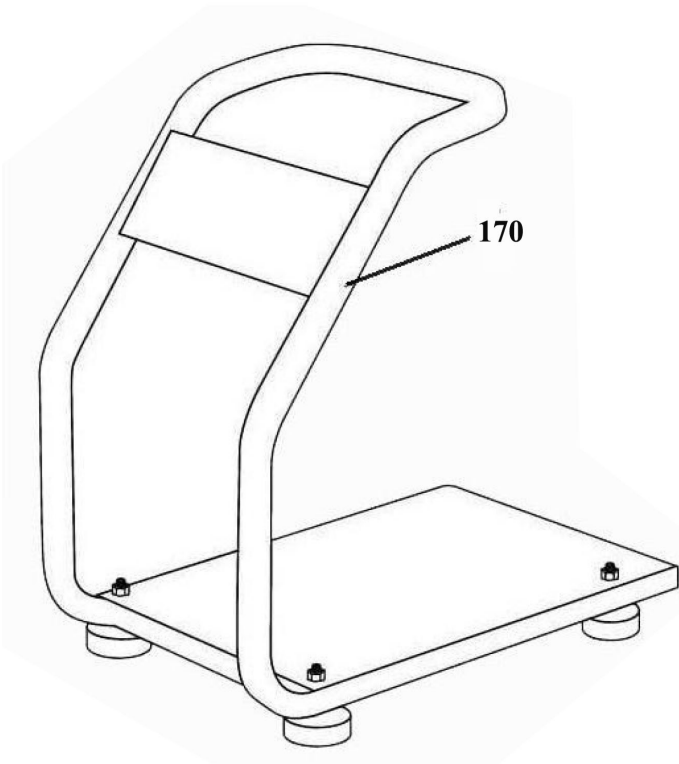
sales@sealey.co.uk



www.sealey.co.uk



Parts Information:  
**Petrol Pressure Washer 130bar 7ltr/min**  
**2.4hp**  
**Model No: PCM1300**



Item	Part No.	Description
170	PCM1300.170	FRAME
171	PC2701.40	HOSE (M22/15mm-GUN END 13mm F) 5M LONG
172	PCM1300.172	GUN COMPLETE WITH LANCE
--	PCM1300.PUMP	PUMP ASSEMBLY (NOT SHOWN)

Item	Part No.	Description
--	PCM1300.173	VALVE ASSEMBLY (OUTLET) (NOT SHOWN)
--	PCM1300.174	VALVE ASSEMBLY (INLET) (NOT SHOWN)
--	PCM1300.175	ENGINE MOUNT RUBBER GASKET (NOT SHOWN)
--	PCM1300.L	LABEL SET (NOT SHOWN)

**NOTE:** It is our policy to continually improve products and as such we reserve the right to alter data, specifications and component parts without prior notice.

**IMPORTANT:** No liability is accepted for incorrect use of product.

**WARRANTY:** Guarantee is 12 months from purchase date, proof of which will be required for any claim.

**Sealey Group**, Kempson Way, Suffolk Business Park, Bury St Edmunds, Suffolk. IP32 7AR



01284 757500



01284 703534



sales@sealey.co.uk



www.sealey.co.uk