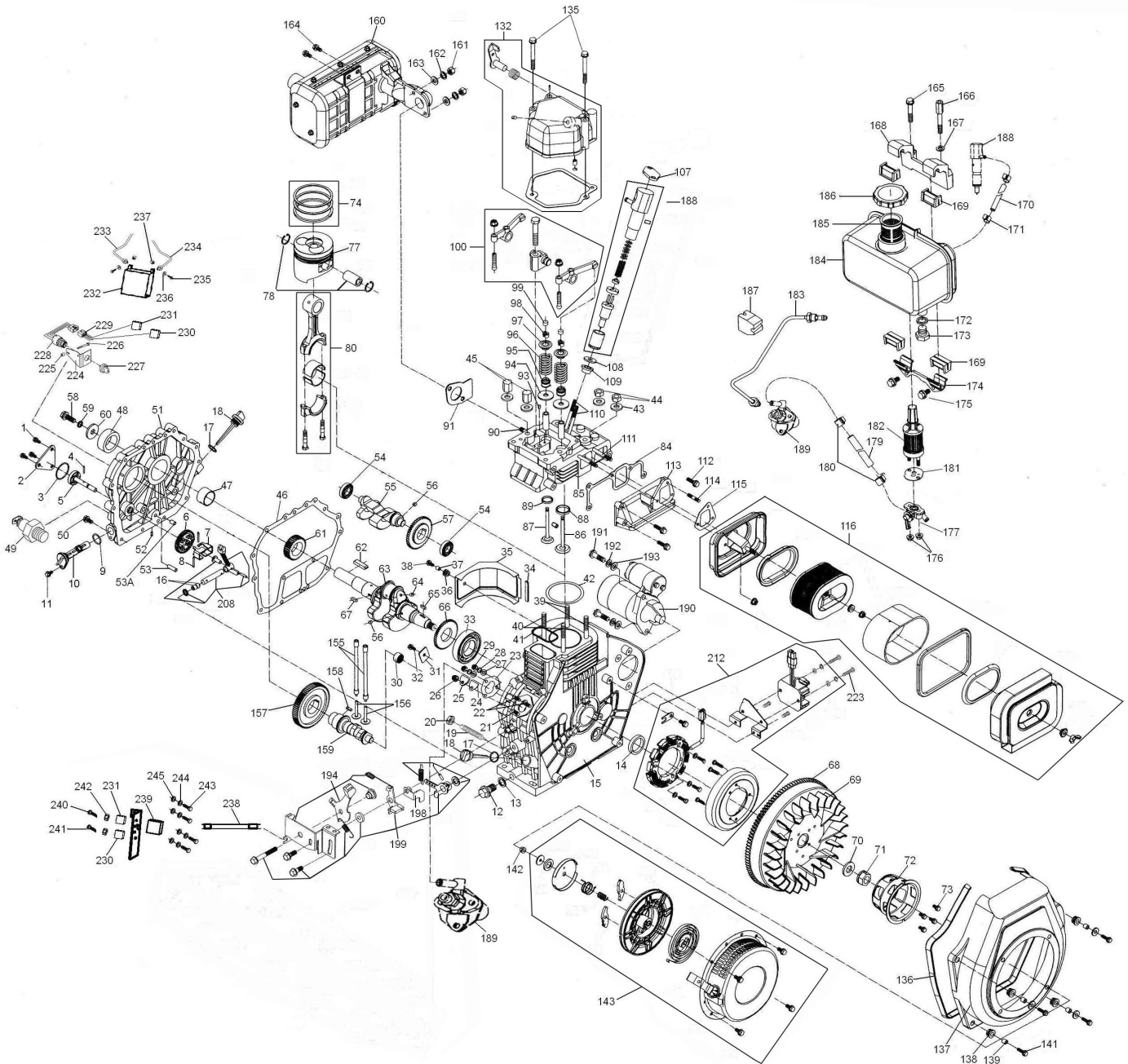


ENGINE PARTS



NOTE: It is our policy to continually improve products and as such we reserve the right to alter data, specifications and component parts without prior notice.

IMPORTANT: No liability is accepted for incorrect use of product.

WARRANTY: Guarantee is 12 months from purchase date, proof of which will be required for any claim.



Parts Information:
Diesel Pressure Washer 300bar 15ltr/min
10hp
Model No: PCDM3600

Item	Part No.	Description
1	SS612.S	HEX HEAD SET SCREW M6x12mm SINGLE
2	PCDM3600.02	PUMP COVER
3	PCDM3600.03	O-RING
4	PCDM3600.04	PIN
5	PCDM3600.05	ENGINE OIL PUMP UNIT
6	PCDM3600.06	DRIVE GEAR
7	PCDM3600.07	WEIGHT
8	PCDM3600.08	PIN
9	PCDM3600.09	O-RING
10	PCDM3600.10	OIL FILTER ASSEMBLY
11	SFS616.S	HEX HEAD FLANGE BOLT M6x16 SINGLE
12	PCDM3600.12	DRAIN PLUG SCREW
13	PCDM3600.13	PLASTIC WASHER
14	PCDM3600.48	OIL SEAL (50x35x8)
15	PCDM3600.15	CYLINDER BLOCK
--	PCDM3600.15/W	CYLINDER BLOCK (NOT SHOWN)
16	B/7941-8	NEEDLE BEARING 7941-8
17	PCDM3600.17	O-RING
18	PCDM3600.18	OIL DIPSTICK
19	PCDM3600.19	FUEL CONTROLLER ASSEMBLY
20	NLN10.S	NYLOC NUT M10 ZINC (SINGLE)
21	PCDM3600.21	STUD (SHORT)
22	PCDM3600.22	STUD (LONG)
23	PCDM3600.23	COPPER GASKET
24	PCDM3600.24	GASKET
25	PCDM3600.25	SEAL PLATE
26	PCDM3600.26	NUT
27	FWM8.S	FLAT WASHER M8 SINGLE
28	PCDM3600.28	RETAINER
29	FN6.S	FLANGE NUT SERRATED M6 ZINC (SINGLE)
30	B/HK1512	NEEDLE BEARING HK1512
31	PCDM3600.31	THRUST PLATE
32	PCDM3600.32	FLANGE BOLT M8X13
33	B/6308	BEARING 6308
34	PCDM3600.34	SHOCK ABSORBER SEAT
35	PCDM3600.35	AIR COVER
36	PCDM3600.36	SHOCK ABSORBER
37	PCDM3600.37	SHEATH
38	SFS612.S	HEX HEAD FLANGE BOLT M6x12 SINGLE
39	PCDM3600.39	CYLINDER HEAD STUD BOLT (SHORT) M10X105
40	PCDM3600.40	CYLINDER HEAD STUD BOLT (LONG) M10X118
41	PCDM3600.41	RING
42	PCDM3600.42	CYLINDER HEAD SEAL

Item	Part No.	Description
43	PCDM3600.43	CYLINDER HEAD GASKET
44	SN10.S	STEEL NUT M10 ZINC DIN934(SINGLE)
45	PCDM3600.45	CYLINDER HEAD NUT
46	PCDM3600.46	CRANKCASE COVER WASHER
47	PCDM3600.47	BEARING SLEEVE
48	PCDM3600.48	OIL SEAL (50x35x8)
49	PCDM3600.49	OIL INDICATOR
50	SFS834.S	HEX HEAD FLANGE BOLT M8x34 SINGLE
51	PCDM3600.51	CRANKCASE COVER
52	PCDM3600.52	PLUNGER
53	PCDM3600.53	OIL PLUG
53A	PCDM3600.53A	PIN
54	B/6203	BEARING 6203
55	PCDM3600.55	BALANCE SHAFT
56	PCDM3600.56	KEY
57	PCDM3600.57	TIMING GEAR
58	PCDM3600.58	SET BOLT
59	PCDM3600.59	GASKET
60	PCDM3600.60	GASKET
61	PCDM3600.61	CRANKSHAFT TIMING GEAR
62	PCDM3600.62	KEY
63	PCDM3600.63	CRANKSHAFT
64	SB-6.4	STEEL BALL 6.4mm
65	PCDM3600.65	KEY
66	PCDM3600.66	DRIVE SHAFT
67	PCDM3600.67	KEY
68	PCDM3600.68	FLYWHEEL TOOTH
69	PCDM3600.69	FLYWHEEL
70	PCDM3600.70	FLYWHEEL GASKET
71	PCDM3600.71	FLANGE NUT BLACK
72	PCDM3600.72	RATCHET REEL
73	SFS612.S	HEX HEAD FLANGE BOLT M6x12 SINGLE
74	PCDM3600.74	RING ASSEMBLY
77	PCDM3600.77	PISTON
78	PCDM3600.78	PISTON PIN (c/w RING)
80	PCDM3600.80	CONNECTING ROD ASS'Y
84	PCDM3600.84	INTAKE PIPE
85	PCDM3600.85	CYLINDER COVER COMPLETE
86	PCDM3600.86	INTAKE VALVE
87	PCDM3600.87	EXHAUST VALVE
88	PCDM3600.88	INLET VALVE SEAT
89	PCDM3600.89	EXHAUST VALVE SEAT
90	PCDM3600.90	STUD

NOTE: It is our policy to continually improve products and as such we reserve the right to alter data, specifications and component parts without prior notice.

IMPORTANT: No liability is accepted for incorrect use of product.

WARRANTY: Guarantee is 12 months from purchase date, proof of which will be required for any claim.

Sealey Group, Kempson Way, Suffolk Business Park, Bury St Edmunds, Suffolk. IP32 7AR



01284 757500



01284 703534



sales@sealey.co.uk



www.sealey.co.uk



Parts Information:
Diesel Pressure Washer 300bar 15ltr/min
10hp
Model No: PCDM3600

Item	Part No.	Description
91	PCDM3600.91	WASHER FOR EXHAUST PIPE
93	PCDM3600.93	PIN
94	PCDM3600.94	VALVE SPRING GASKET
95	PCDM3600.95	OIL SEAL (13x8x3)
96	PCDM3600.96	VALVE SPRING
97	PCDM3600.97	VALVE SPRING SEAT
98	PCDM3600.98	VALVE RETAINING CLIP
99	PCDM3600.99	VALVE ADJUSTING CUSHION
100	PCDM3600.100	ROCKER ARM ASSEMBLY
--	SCB1055.SB	SOCKET CAP BOLT BLACK M10x55 (NOT SHOWN)
107	PCDM3600.107	VALVE RETAINER
108	PCDM3600.108	GASKET
109	PCDM3600.109	INSULATOR
110	PCDM3600.110	STUD
111	PCDM3600.111	STUD
112	SFS622.S	HEX HEAD FLANGE BOLT M6x22 SINGLE
113	PCDM3600.113	INLET PIPE
114	PCDM3600.114	BOLT M6X26
115	PCDM3600.115	FELT WASHER
116	PCDM3600.116	AIR CLEANER ASS'Y
132	PCDM3600.132	CYLINDER HEAD COVER ASS'Y
135	PCDM3600.135	FLANGE BOLT M6X70
136	PCDM3600.136	CUSHION
137	PCDM3600.137	FAN COVER
138	PCDM3600.138	CUSHION SHEATH
139	PCDM3600.139	SHEATH
--	PCDM3600.140	GASKET (NOT SHOWN)
141	SCB622.SB	SOCKET HEAD CAP SCREW M6x22 BLACK
142	PCDM3600.142	FLANGE NUT ZINC YELLOW
143	PCDM3600.143	STARTER ASS'Y
155	PCDM3600.155	VALVE PUSH ROD ASS'Y
156	PCDM3600.156	VALVE TAPPET
157	PCDM3600.157	CAMSHAFT TIMING GEAR
158	PCDM3600.158	KEY
159	PCDM3600.159	CAMSHAFT
160	PCDM3600.160	MUFFLER ASS'Y
161	PCDM3600.161	FLANGE BOLT M8X12
162	FWM8.S	FLAT WASHER M8 SINGLE
163	SWM8.S	SPRING WASHER M8 ZINC (SINGLE)
164	PCDM3600.164	FLANGE BOLT M10X56
165	PCDM3600.165	FLANGE BOLT M8X46C
166	PCDM3600.166	BOLT M8X48
167	SWM8.S	SPRING WASHER M8 ZINC (SINGLE)

Item	Part No.	Description
168	PCDM3600.168	UPPER SUPPORT FOR FUEL TANK
169	PCDM3600.169	CUSHION
170	PCDM3600.170	FUEL RETURN PIPE
171	PCDM3600.171	CLIP
172	PCDM3600.172	NYLON WASHER
173	PCDM3600.173	BOLT M12X15
174	PCDM3600.174	LOWER SUPPORT FOR FUEL TANK
175	PCDM3600.175	BOLT
176	FN6.S	FLANGE NUT SERRATED M6 ZINC (SINGLE)
177	PCDM3600.177	FUEL TANK SWITCH ASS'Y
--	PCDM3600.178	O-RING (NOT SHOWN)
179	PCDM3600.179	FUEL PIPE
180	PCDM3600.180	CLIP
181	PCDM3600.181	FUEL FILTER RUBBER WASHER
182	PCDM3600.182	ELEMENT ASS'Y
183	PCDM3600.183	FUEL PIPE
184	PCDM3600.184	FUEL TANK
185	PCDM3600.185	FUEL FILTER
186	PCDM3600.186	FUEL TANK CAP
187	PCDM3600.187	CUSHION
188	PCDM3600.188	FUEL INJECTION VALVE ASS'Y
189	PCDM3600.189	FUEL INJECTION PUMP ASS'Y
190	PCDM3600.190	STARTING MOTOR ASS'Y
191	SS1035.S	HEX HEAD SET SCREW M10x35mm SINGLE
192	PCDM3600.192	SPRING GASKET
193	FWM10.S	FLAT WASHER M10 SINGLE
194	PCDM3600.194	CONTROL HANDLE ASS'Y
198	PCDM3600.198	RETAINER
199	PCDM3600.199	ENGINE SHUT-OFF HANDLE ASS'Y
208	PCDM3600.208	LEVER SHAFT ASS'Y
212	PCDM3600.212	STATOR / ROTOR ASS'Y
223	SFS618.S	HEX HEAD FLANGE BOLT M6x18 SINGLE
224	PCDM3600.224	SWITCH PLATE
225	FWM8.S	FLAT WASHER M8 SINGLE
226	PCDM3600.161	FLANGE BOLT M8X12
227	PCDM3600.227	STARTING KEY
228	PCDM3600.228	STARTING KEY ASS'Y
229	PCDM3600.229	WIRE ASS'Y
230	PCDM3600.230	RELAY
231	PCDM3600.231	RECTIFIER
232	RS125.12	BATTERY 22AH
233	PCDM3600.233	LEAD WIRE (BLK)
234	PCDM3600.234	LEAD WIRE (RED)

NOTE: It is our policy to continually improve products and as such we reserve the right to alter data, specifications and component parts without prior notice.

IMPORTANT: No liability is accepted for incorrect use of product.

WARRANTY: Guarantee is 12 months from purchase date, proof of which will be required for any claim.

Sealey Group, Kempson Way, Suffolk Business Park, Bury St Edmunds, Suffolk. IP32 7AR



01284 757500



01284 703534



sales@sealey.co.uk



www.sealey.co.uk

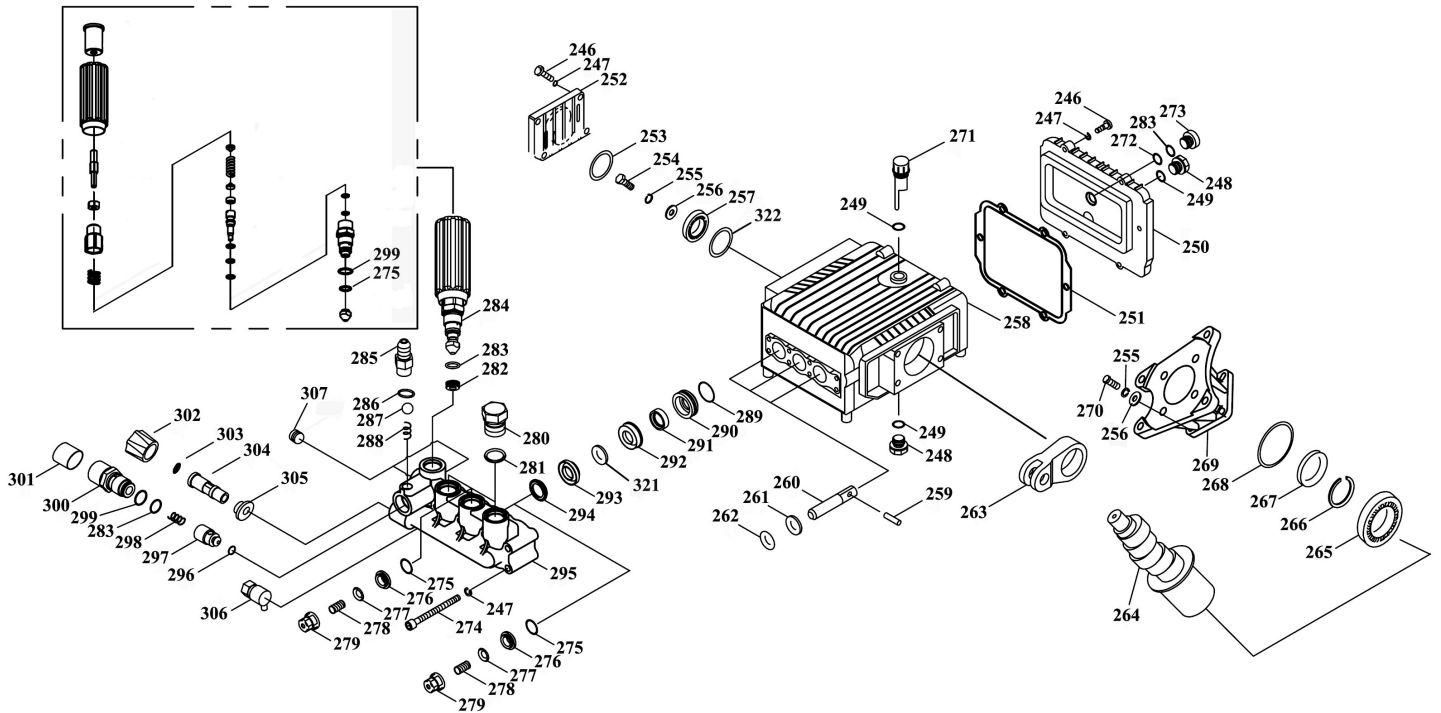


Parts Information:
Diesel Pressure Washer 300bar 15ltr/min
10hp
Model No: PCDM3600

Item	Part No.	Description
235	PCDM3600.235	FLANGE BOLT M5X12
236	PCDM3600.236	GASKET
237	FN5.S	FLANGE NUT SERRATED M5 ZINC (SINGLE)
238	PCDM3600.238	CONNECTING WIRE
239	PCDM3600.239	MAGNET
240	PCDM3600.240	SCREW
241	PCDM3600.241	SCREW

Item	Part No.	Description
242	FN5.S	FLANGE NUT SERRATED M5 ZINC (SINGLE)
243	MSP48.S	MACHINE SCREW PAN HEAD PHILLIPS M4x8mm
244	FWM3.S	FLAT WASHER M3 SINGLE
245	PCDM3600.245	GASKET
--	PCDM3600.FK	FIXING KIT (NOT SHOWN)
--	PCDM3600.FK2	FIXING KIT (SPANNERS, S/DRIVER & ALLEN K (NOT SHOWN)

PUMP PARTS



NOTE: It is our policy to continually improve products and as such we reserve the right to alter data, specifications and component parts without prior notice.

IMPORTANT: No liability is accepted for incorrect use of product.

WARRANTY: Guarantee is 12 months from purchase date, proof of which will be required for any claim.

Sealey Group, Kempson Way, Suffolk Business Park, Bury St Edmunds, Suffolk. IP32 7AR



01284 757500



01284 703534



sales@sealey.co.uk



www.sealey.co.uk



Parts Information:
**Diesel Pressure Washer 300bar 15ltr/min
 10hp
 Model No: PCDM3600**

Item	Part No.	Description
246	SCB616.SB	SOCKET HEAD CAP SCREW M6x16 BLACK
247	SWM6.SB	SPRING WASHER M6 BLACK(SINGLE)
248	PCDM3600.248	PLUG
249	PCDM3600.249	O-RING (13.2*2.65)
250	PCDM3600.250	BACK COVER
251	PCDM3600.251	SEAL
252	PCDM3600.252	COVER
253	PCDM3600.253	O-RING (47.5*1.8)
254	SS816.S	HEX HEAD SET SCREW M8x16mm SINGLE
255	SWM3.S	SPRING WASHER M3 (SINGLE)
256	PCDM3600.256	GASKET
257	B/NK140/20	BEARING NK140/20
258	PCDM3600.258	HOUSING
259	PCDM3600.259	PIN
260	PCDM3600.260	PLUNGER
261	PCDM3600.261	OIL SEAL (24x15x7)
262	PCDM3600.262	SEAL RING
263	PCDM3600.263	CONNECTING RING
264	PCDM3600.264	CRANKSHAFT
265	B/NJ304EM	BEARING NJ304EM
266	PCDM3600.266	RETAINING RING
267	PCDM3600.267	SEAL RING (38*58*8)
268	PCDM3600.268	O-RING (50*2.65)
269	PCDM3600.269	CONNECTING FLANGE
270	SCB825.SB	SOCKET HEAD CAP SCREW M8x25 BLACK
271	PCDM3600.271	OIL GAUGE
272	PCDM3600.272	O-RING (20*15.8*1)
273	PCDM3600.273	OIL MARK
274	PCDM3600.274	SCREW (M6*55)
275	PCDM3600.275	O-RING (11.8*1.8)
276	PCDM3600.276	VALVE SEAT
277	PCDM3600.277	VALVE PLATE

Item	Part No.	Description
278	PCDM3600.278	VALVE SPRING
279	PCDM3600.279	VALVE JACKET
280	PCDM3600.280	BULKHEAD
281	PCDM3600.281	O-RING (15*1.8)
282	PCDM3600.282	WOBBLE VALVE SEAT
283	PCDM3600.283	O-RING (11.2*1.8)
284	PCDM3600.284	UNLOADER VALVE
285	PCDM3600.285	DETERGENT INJECTION CONNECTOR
286	PCDM3600.286	O-RING (4.5*1.8)
287	SB-5.6	STEEL BALL 5.6mm
288	PCDM3600.288	SPRING
289	PCDM3600.289	O-RING (24*1.8)
290	PCDM3600.290	SEAL RING SEAT
291	PCDM3600.291	SEAL RING
292	PCDM3600.292	SEAL RING SEAT
293	PCDM3600.293	V-SEAL RING
294	PCDM3600.294	V-RING
295	PCDM3600.295	PUMP BODY
296	PCDM3600.296	O-RING (4*2.65)
297	PCDM3600.297	CHECK VALVE
298	PCDM3600.298	CHECK VALVE SPRING
299	PCDM3600.299	O-RING (12.5*1.8)
300	PCDM3600.300	OUTLET CONNECTOR
301	PCDM3600.301	DUST CAP
302	PCDM3600.302	NUT
303	PCDM3600.303	FILTER
304	PCDM3600.304	INLET CONNECTOR
305	PCDM3600.305	GASKET
306	PCDM3600.306	THERMAL PROTECTION
307	PCDM3600.307	PLUG
--	PCDM3600.321	GASKET (NOT SHOWN)
322	PCDM3600.322	O-RING

NOTE: It is our policy to continually improve products and as such we reserve the right to alter data, specifications and component parts without prior notice.

IMPORTANT: No liability is accepted for incorrect use of product.

WARRANTY: Guarantee is 12 months from purchase date, proof of which will be required for any claim.

Sealey Group, Kempson Way, Suffolk Business Park, Bury St Edmunds, Suffolk. IP32 7AR



01284 757500



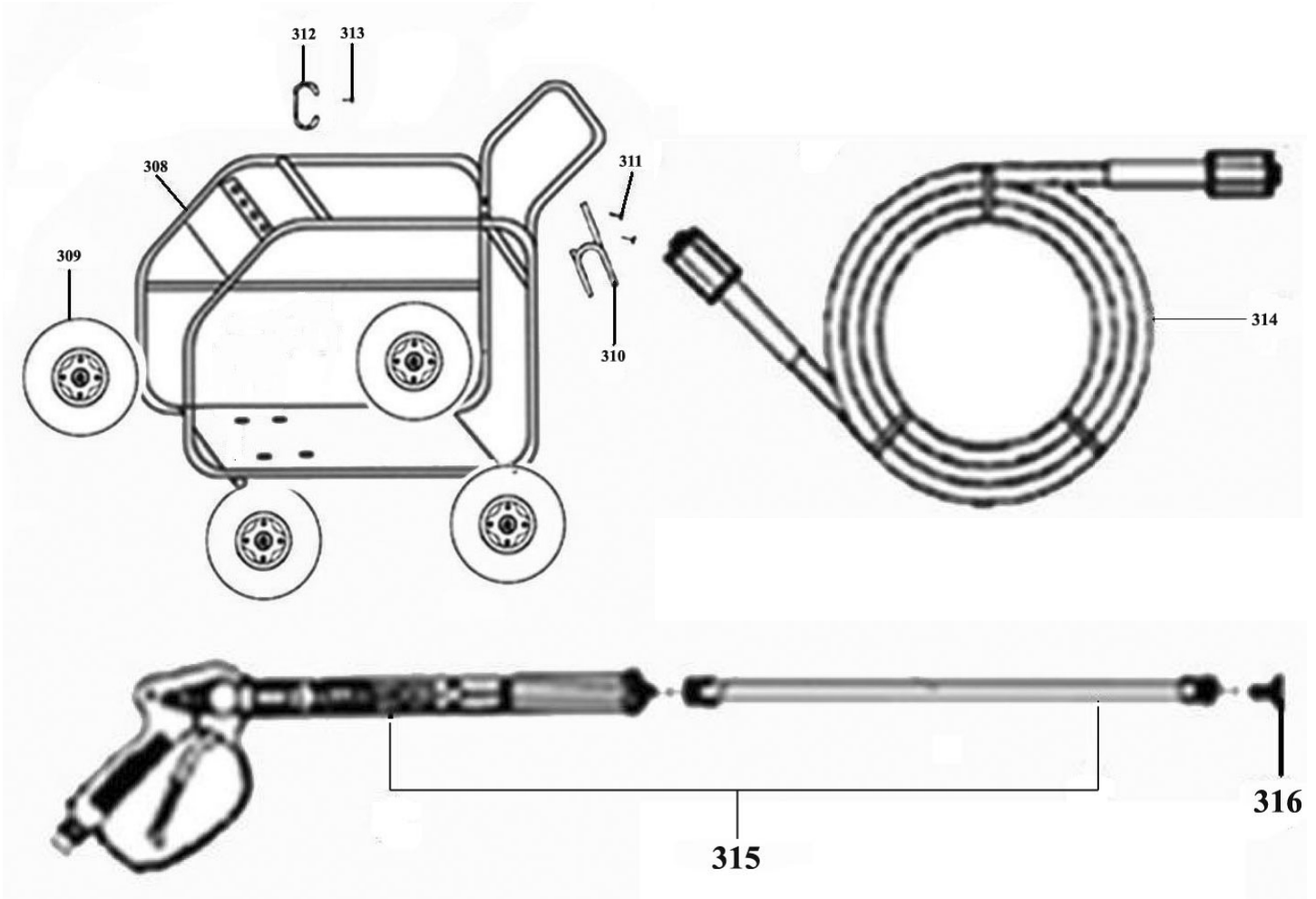
01284 703534



sales@sealey.co.uk



www.sealey.co.uk



Item	Part No.	Description
308	PCDM3600.308	FRAME
309	PCM2500.162	WHEEL 4.10/3.50-4 (2PI)
310	PCDM3600.310	HOOK FOR HOSE
311	SCB645.SB	SOCKET HEAD CAP SCREW M6x45 BLACK
312	PCDM3600.312	HOOK FOR GUN
313	SCB640.SB	SOCKET HEAD CAP SCREW M6x40 BLACK
314	PCDM3600.314	HIGH PRESSURE HOSE
315	PCDM3600.315N	GUN & LANCE (NEW TYPE)
316	PCDM3600.316	NOZZLE (SET OF 5)
--	PCDM3600.317	BATTERY BOX COVER (NOT SHOWN)

Item	Part No.	Description
--	SFS512.S	HEX HEAD FLANGE BOLT M5x12 SINGLE (NOT SHOWN)
--	NLN8.S	NYLOC NUT M8 ZINC DIN 985 (SINGLE) (NOT SHOWN)
--	PCDM3600.320	AXLE (SET OF 4) (NOT SHOWN)
--	PCDM3600.PUMP	PUMP ASSEMBLY (NOT SHOWN)
--	PCDM3600.323	REGULATOR (NOT SHOWN)
--	PCDM3600.324	STATOR (NOT SHOWN)
--	PCDM3600275-9	VALVE ASSEMBLY (NOT SHOWN)
--	PCDM3600.L	LABEL SET (NOT SHOWN)

NOTE: It is our policy to continually improve products and as such we reserve the right to alter data, specifications and component parts without prior notice.

IMPORTANT: No liability is accepted for incorrect use of product.

WARRANTY: Guarantee is 12 months from purchase date, proof of which will be required for any claim.