

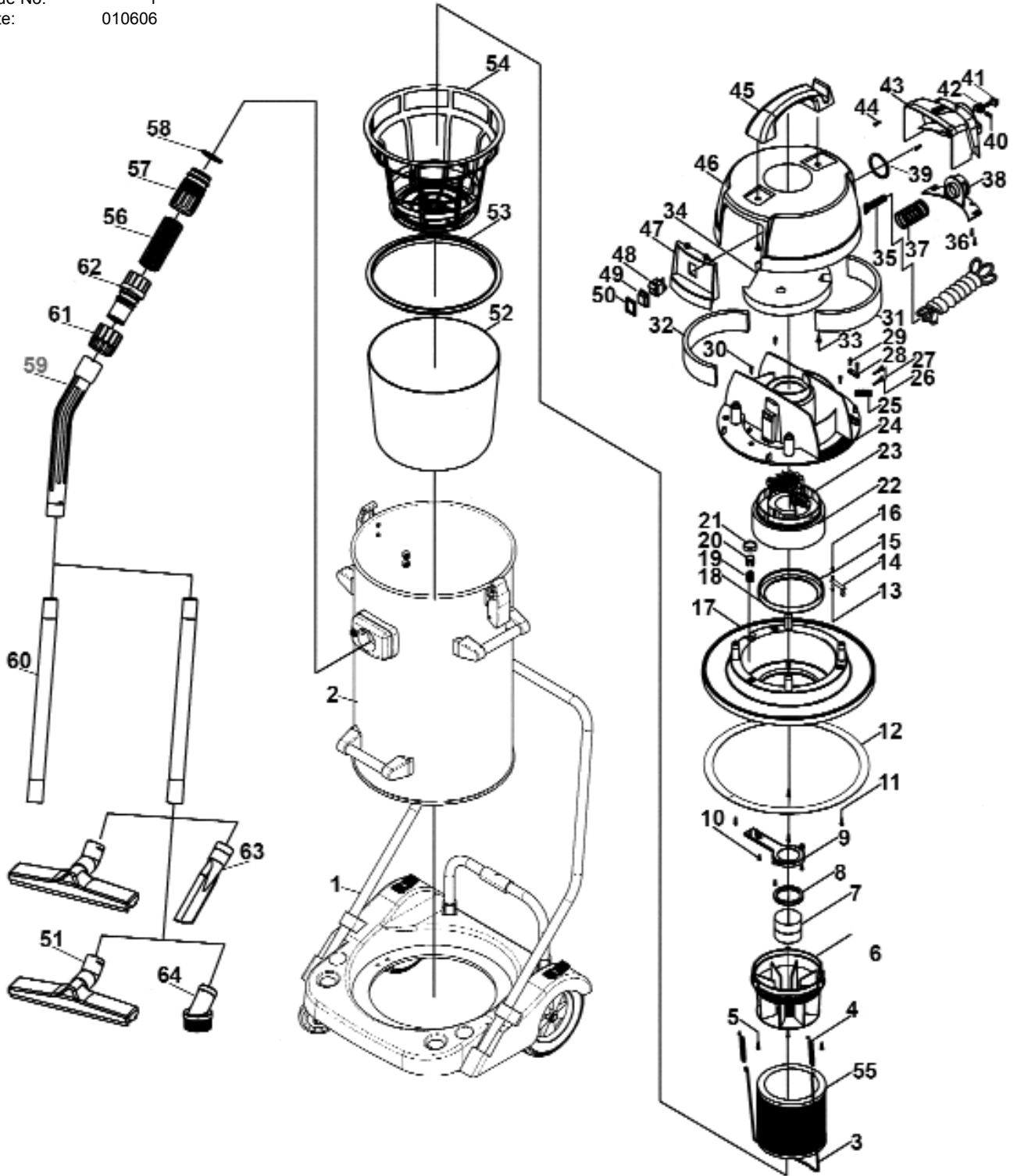


PARTS LIST FOR: **VACUUM CLEANER**

Model:

**PC455**

Issue No: 1  
Date: 010606



Sole UK Distributor  
Sealey Group,  
Bury St. Edmunds, Suffolk.

01284 757500  
01284 703534



[www.sealey.co.uk](http://www.sealey.co.uk)  
[sales@sealey.co.uk](mailto:sales@sealey.co.uk)

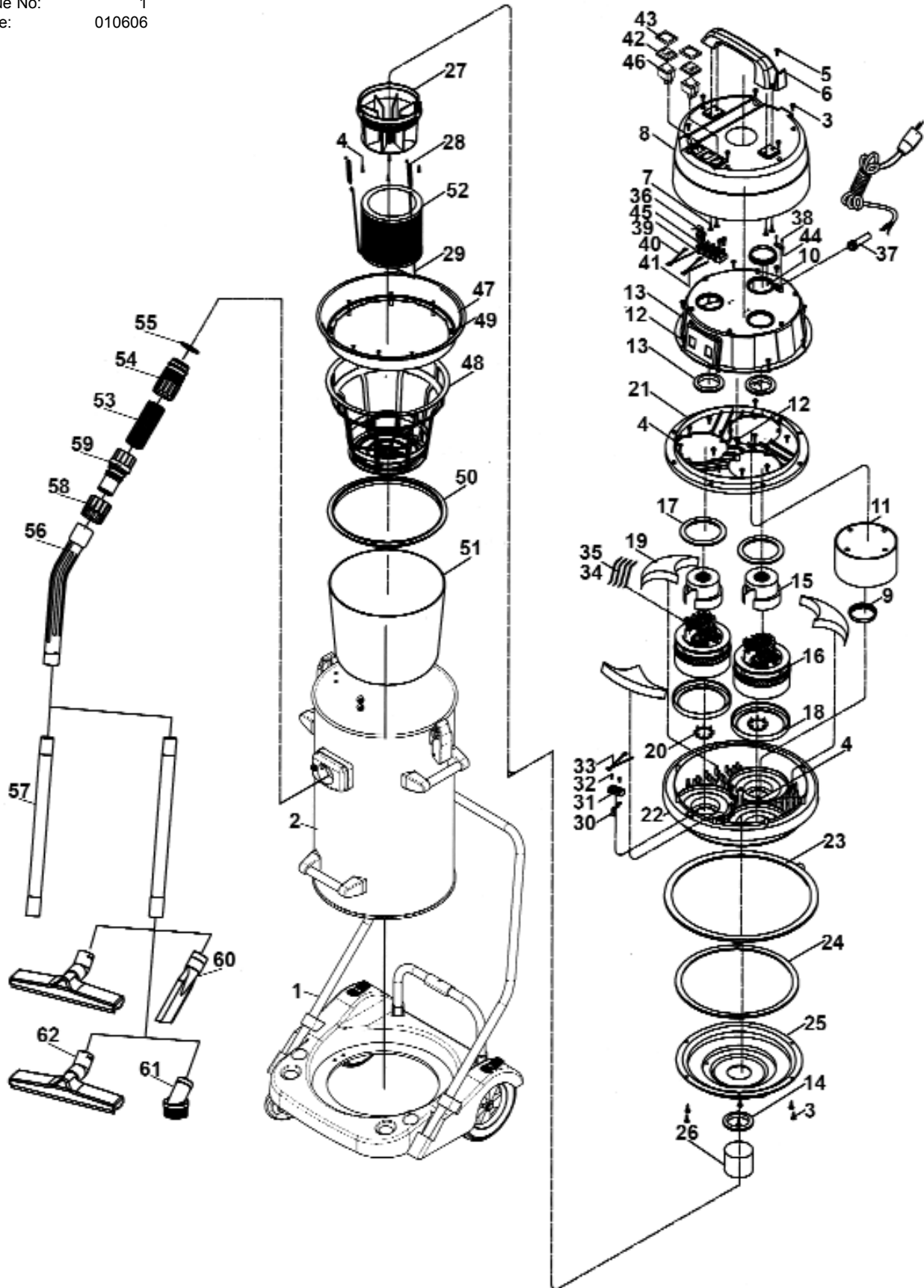


PARTS LIST FOR: **VACUUM CLEANER**

Model: **PC455**

Item Part No.	Description	Item Part No.	Description		
1	PC455.01	TROLLEY ASSEMBLY	33	PC455.03-32	SCREW (1/4" x 15)
2	PC455.02	TANK ASSEMBLY	34	PC455.03-33	SPONGE "A"
3	PC455.03-1	HOOK	35	PC455.03-35	CORD HOLDER
4	PC455.03-3	HOOK	36	PC455.03-36	SCREW (M4x16)
5	PC455.03-4	SCREW	37	PC455.03-37	SPRING
6	PC455.03-5	FRAME	38	PC455.03-38	HOLDER
7	PC455.03-6	FLOAT	39	PC455.03-39	GASKET
8	PC455.03-7	GASKET	40	PC455.03-40	SPRING
9	PC455.03-8	HOLDER	41	PC455.03-41	BUTTON
10	PC455.03-9	SCREW (M4x10)	42	PC455.03-42	HOLDER
11	PC455.03-10	SCREW (M4x18)	43	PC455.03-43	HOLDER
12	PC455.03-11	SEAL	44	PC455.03-44	SCREW (M4x16)
13	PC455.03-12	SCREW	45	PC455.03-45	HANDLE
14	PC455.03-13	PLATE	46	PC455.03-46	TOP COVER
15	PC455.03-14	WIRE	47	PC455.03-47	FRONT COVER
16	PC455.03-15	NUT	48	PC455.03-48	SWITCH
17	PC455.03-16	MOTOR BASE	49	PC455.03-49	TRANSPARENT COVER
18	PC455.03-17	GASKET	50	PC455.03-50	TRANSPARENT COVER
19	PC455.03-18	SPRING	51	PC455.06	BRUSH NOZZLE COMPLETE
20	PC455.03-19	CLIP	52	PC455.04-1	CLOTH
21	PC455.03-20	PLUG	53	PC455.04-2	GASKET
22	PC455.03-21	SPONGE	54	PC455.04-3	FRAME
23	PC455.03-22	MOTOR	55	PC455.PF	PAPER FILTER FOR PC455
24	PC455.03-23	MIDDLE MOTOR BASE	56	PC455.05-1	HOSE 3m
25	PC455.03-24	TERMINAL BLOCK	57	PC455.05-2	CONNECTOR
26	PC455.03-25	WIRE "A"	58	PC455.05-3	SEAL
27	PC455.03-26	WIRE "B"	59	PC455.05-4	ELBOW CONNECTOR
28	PC455.03-27	PLATE	60	PC455.05-5	TUBE EXTENSION
29	PC455.03-28	SCREW (3.5x12)	61	PC455.05-6	CONNECTOR
30	PC455.03-29	SCREW (M5x20)	62	PC455.05-7	CONNECTOR
31	PC455.03-30	SPONGE "C"	63	PC455.05-8	CREVICE TOOL
32	PC455.03-31	SPONGE "B"	64	PC455.05-9	ROUND BRUSH

Issue No: 1  
Date: 010606





PARTS LIST FOR: **VACUUM CLEANER**

Model: **PC477**

Item	Part No.	Description	Item	Part No.	Description
1	PC477.01	TROLLEY ASS'Y	32	PC477.04-32	SCREW (M3x8)
2	PC477.02	TANK ASS'Y	33	PC477.04-33	WIRE
3	PC477.04-1	SCREW (M5x16)	34	PC477.05-11	WIRE
4	PC477.04-2	SCREW (M5x20)	35	PC477.05-12	WIRE
5	PC477.04-3	SCREW (M5x63)	36	PC477.05-13	CAPACITOR
6	PC477.04-4	HANDLE	37	PC477.05-2	CORD HOLDER
7	PC477.04-5	SCREW	38	PC477.05-4	SCREW
8	PC477.04-6	TOP HOUSING	39	PC477.05-5	TERMINAL BLOCK
9	PC477.04-7	BLOCKER	40	PC477.05-6	WIRE
10	PC477.04-8	UPPER BLOCKER	41	PC477.05-7	WIRE
11	PC477.04-9	BLANKING CAP	42	PC477.05-8	TRANSPARENT COVER
12	PC477.04-10	SCREW	43	PC477.05-9	TRANSPARENT COVER
13	PC477.04-11	MIDDLE COVER	44	PC455.03-27	PLATE
14	PC477.04-12	GASKET	45	PC455.03-44	SCREW (M4x16)
15	PC477.04-13	FAN COVER	46	PC455.03-48	SWITCH
16	PC455.03-22	MOTOR	47	PC477.03-1	FRAME HOLDER
17	PC477.04-15	FOAM FILTER	48	PC477.03-2	FRAME
18	PC477.04-16	GASKET	49	PC477.03-3	SCREW (M4x18)
19	PC477.04-17	FOAM FILTER	50	PC477.03-4	FIXING RING
20	PC477.04-18	BLANKING PLATE	51	PC477.03-5	CLOTH FILTER
21	PC477.04-19	BASE	52	PC477.PF	PAPER FILTER FOR PC477
22	PC477.04-20	MOTOR BASE	53	PC455.05-1	HOSE 3m
23	PC477.04-21	GASKET	54	PC455.05-2	CONNECTOR
24	PC477.04-22	GASKET	55	PC455.05-3	SEAL
25	PC477.04-23	BOTTOM BASE	56	PC455.05-4	ELBOW CONNECTOR
26	PC477.04-25	FLOAT	57	PC455.05-5	TUBE EXTENSION
27	PC477.04-26	FLOAT FRAME	58	PC455.05-6	CONNECTOR
28	PC477.04-27	SPRING	59	PC455.05-7	CONNECTOR
29	PC477.04-29	HOOK	60	PC455.05-8	CREVICE TOOL
30	PC477.04-30	PLATE	61	PC455.05-9	ROUND BRUSH
31	PC477.04-31	PLATE	62	PC477.07	BRUSH NOZZLE COMPLETE



Sole UK Distributor  
Sealey Group,  
Bury St. Edmunds, Suffolk.



01284 757500



01284 703534



[www.sealey.co.uk](http://www.sealey.co.uk)



[sales@sealey.co.uk](mailto:sales@sealey.co.uk)