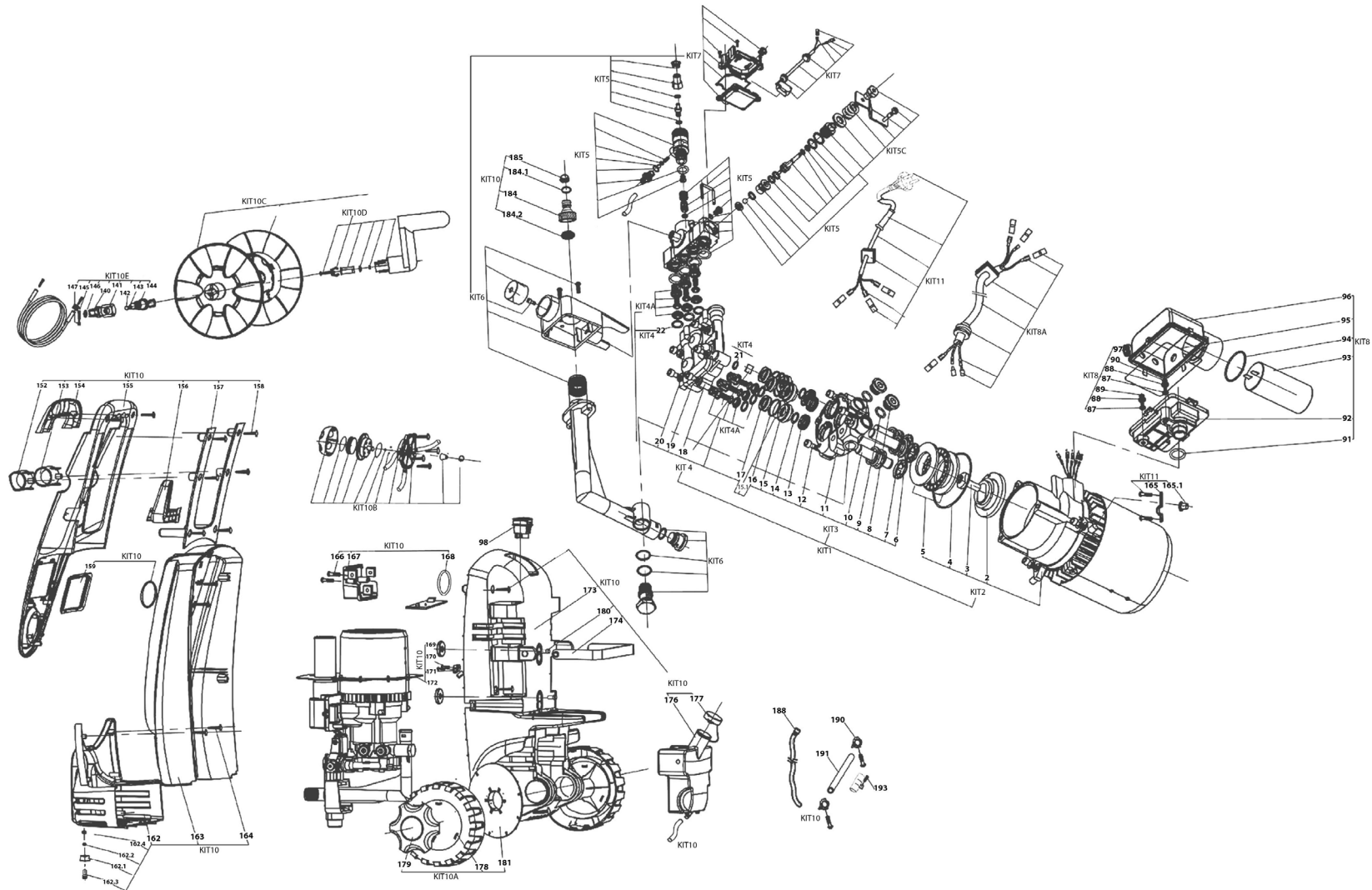




# Parts Information: Pressure Washer 140bar with TSS & Rotablast Nozzle® 230V Model No: PC3451



**NOTE:** It is our policy to continually improve products and as such we reserve the right to alter data, specifications and component parts without prior notice.

**IMPORTANT:** No liability is accepted for incorrect use of product.

**WARRANTY:** Guarantee is 12 months from purchase date, proof of which will be required for any claim.

Sealey Group, Kempson Way, Suffolk Business Park, Bury St Edmunds, Suffolk. IP32 7AR

01284 757500 | 01284 703534 | sales@sealey.co.uk | www.sealey.co.uk



Parts Information:  
**Pressure Washer 140bar with TSS &  
 Rotablast Nozzle® 230V  
 Model No: PC3451**

Item	Part No.	Description
	<b>PC3451.KIT1</b>	<b>MOTOR/PUMP ASS'Y</b>
	<b>PC3451.KIT2</b>	<b>PUMP PEDESTAL</b>
2	FNA.43072200	CAM
3	FNA.25000800	SCREW
4	FNA.22010600	O-RING
5	B/51109	BEARING RACE 51109
	<b>PC3451.KIT3</b>	<b>PUMP BODY ASS'Y</b>
6	FNA.43060500	PISTON SPRING PEDESTAL
7	FNA.43046500	SPRING
8	FNA.42071300	PLUG
9	FNA.22004700	O-RING
10	FNA.43060600	PISTON
11	FNA.43060700	PUMP BODY
12	FNA.21038300	SCREW
13	FNA.22330000	OIL SEAL
14	FNA.22000200	O-RING
15	FNA.43000000	PILOT SHEATH
15.1	FNA.41014100	O-RING
16	FNA.22010800	O-RING
	<b>PC3451.KIT4</b>	<b>PUMP CAP ASS'Y</b>
17	FNA.22330100	WATER SEAL
18	FNA.43073000	PUMP BODY
19	FNA.21038400	SCREW
20	FNA.21004500	WASHER
21	FNA.22011400	O-RING
22	FNA.22010900	O-RING
	<b>PC3451.KIT4A</b>	<b>ONE-WAY VALVE ASS'Y</b>
	<b>PC3451.KIT5</b>	<b>MANIFOLD ASS'Y</b>
	<b>PC3451.KIT5C</b>	<b>VALVE SHEATH ASS'Y</b>
	<b>PC3451.KIT6</b>	<b>INLET PIPE ASS'Y</b>
	<b>PC3451.KIT7</b>	<b>MICRO SWITCH ASS'Y</b>
	<b>PC3451.KIT8</b>	<b>CONNECTION BOX ASS'Y</b>
87	FNA.22004500	O-RING
<b>88</b>	<b>FNA.21031600</b>	<b>PLAIN PAD</b>

Item	Part No.	Description
89	FNA.21000300	SCREW
90	FNA.21035800	SCREW
91	FNA.22007100	PEDESTAL BIG O-RING
92	FNA.42081400	UPPER ELECTRICAL BOX
93	FNA.37013000	CAPACITOR 33uf 50/60hz 450v 125x45
94	FNA.22006300	CAPACITOR O-RING
95	FNA.41013500	SEAL
96	FNA.42081600	BOTTOM ELECTRICAL BOX
97	FNA.42096200	PLUG
	<b>PC3451.KIT8A</b>	<b>WIRE ASS'Y FOR SWITCH</b>
	<b>PC3451.KIT10</b>	<b>HOUSING ASS'Y</b>
98	FNA.33000800	MAIN SWITCH
<b>152</b>	<b>FNA.42115300</b>	<b>PEDESTAL (LEFT)(CUT-OUT FOR HOSE)</b>
153	FNA.42115400	PEDESTAL (RIGHT)
154	FNA.42115500	HANDLE INSERT
155	FNA.42115600	HANDLE
156	FNA.42115700	HANDLE HOOK
157	FNA.42115800	HANDLE INSERT
158	FNA.21011700	RD HEAD S/T SCREW M4.8 X 18 BLACK
159	FNA.42133800	PEDESTAL
162	FNA.42116100	PEDESTAL
162.1	FNA.41014200	FOOT
162.2	FNA.21001600	PLAIN CUSHION
162.3	FNA.21031200	SCREW
162.4	FNA.21036000	NUT
163	FNA.42129401	FRONT COVER
164	FNA.21009500	SCREW
165	FNA.43069800	BOARD
165.1	FNA.41005200	MOTOR FOOT
166	FNA.21034500	SCREW
167	FNA.42116300	SWITCH COVER
168	FNA.42086300	SEAL
169	FNA.41013600	PAD
170	FNA.21009700	RD HEAD S/T SCREW M3.5 X 12 BLACK
171	FNA.42023100	CLAMPING PLATE
171.1	FNA.41013400	PAD
172	FNA.42116400	BOARD FOR MOTOR
173	FNA.42116500	BACK COVER
174	FNA.41013700	RUBBER STRIP

**NOTE:** It is our policy to continually improve products and as such we reserve the right to alter data, specifications and component parts without prior notice.

**IMPORTANT:** No liability is accepted for incorrect use of product.

**WARRANTY:** Guarantee is 12 months from purchase date, proof of which will be required for any claim.

**Sealey Group**, Kempson Way, Suffolk Business Park, Bury St Edmunds, Suffolk. IP32 7AR



01284 757500



01284 703534



sales@sealey.co.uk



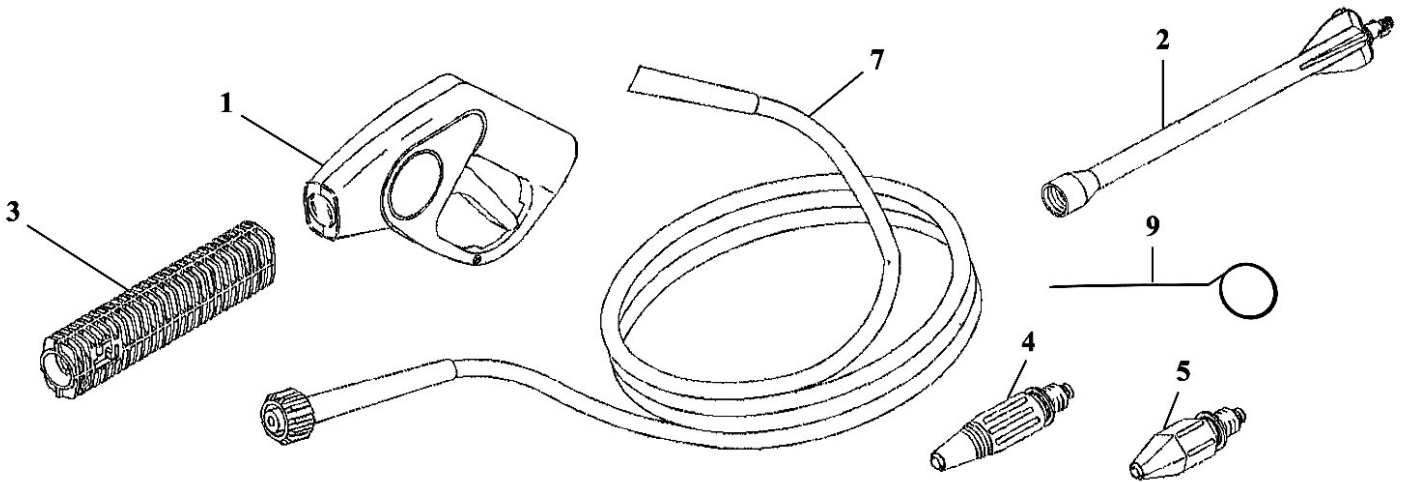
www.sealey.co.uk



Parts Information:  
**Pressure Washer 140bar with TSS &  
 Rotablast Nozzle® 230V  
 Model No: PC3451**

Item	Part No.	Description
176	FNA.42116600	DETERGENT TANK
177	FNA.42105400	TANK CAP
180	FNA.43073200	INLET PIPE CONNECTOR
184	FNA.22005300	WATER INLET O-RING
184.1	FNA.41003300	WATER INLET CONNECTION FILTER PAD
184.2	FNA.42021600	INLET COVER
185	FNA.42080400	TUBE
188	FNA.42029200	FILTER
190	FNA.42135700	TUBE CAP
191	FNA.43078700	STEEL TUBE
193	FNA.21034600	SCREW
	<b>PC3451.KIT10A</b>	<b>WHEEL ASS'Y</b>
178	FNA.42116800	WHEEL
179	FNA.42117600	WHEEL COVER
181	FNA.42116900	WHEEL CAP

Item	Part No.	Description
	<b>PC3451.KIT10B</b>	<b>DETERGENT ADJ. KNOB ASS'Y</b>
	<b>PC3451.KIT10C</b>	<b>HOSE REEL ASS'Y</b>
	<b>PC3451.KIT10D</b>	<b>HOSE REEL HANDLE ASS'Y</b>
	<b>PC3451.KIT10E</b>	<b>CONNECTOR ASS'Y</b>
140	FNA.43070000	U-PIN
141	FNA.43076500	VALVE BODY
142	FNA.22012400	O-RING
143	FNA.41015100	O-RING
144	FNA.43076400	VALVE CORE
145	FNA.43077400	PIN
146	FNA.26002200	O-RING
147	FNA.43077500	PIN
	<b>PC3451.KIT11</b>	<b>CABLE ASS'Y</b>



Item	Part No.	Description
1	FNA.10009502	GUN
2	FNA.10011200	LANCE FOR PC2950 & PC2700
3	FNA.10009400	HALF LANCE
4	PCAK02	VARIABLE SPRAY JET NOZZLE HI-LOW PRESSUR

Item	Part No.	Description
5	PCAK03	TURBO ROTABLAST NOZZLE
--	FNA.42122102	SHORT HOSE ASS'Y (NOT SHOWN)
7	FNA.42122302	HOSE ASS'Y
9	FNA.81001700	NEEDLE PROBE
--	FNA.43011900	TRIGGER SPRING (NOT SHOWN)

**NOTE:** It is our policy to continually improve products and as such we reserve the right to alter data, specifications and component parts without prior notice.

**IMPORTANT:** No liability is accepted for incorrect use of product.

**WARRANTY:** Guarantee is 12 months from purchase date, proof of which will be required for any claim.

**Sealey Group**, Kempson Way, Suffolk Business Park, Bury St Edmunds, Suffolk. IP32 7AR



01284 757500



01284 703534



sales@sealey.co.uk



www.sealey.co.uk