

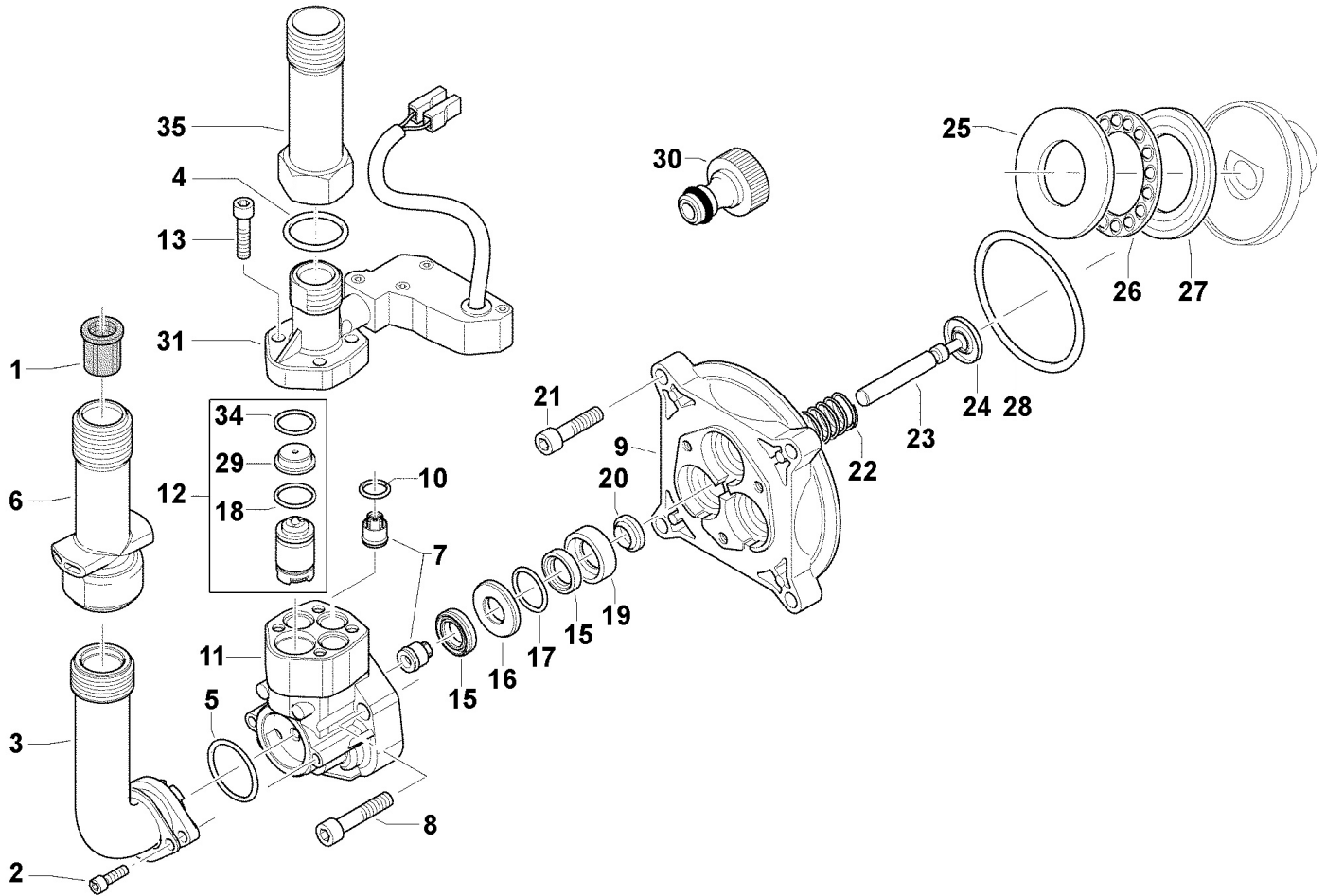
Item	Part No.	Description
1	181/2440052	Front Casing
2	181/2440030	Handle
3	181/2440070	Wheel, 160mm
4	181/2440020	Left Casing
5	181/2100300	RD Head S/T Screw 4.8 x 16 Black
6	181/2440150	Accessories Guide
7	181/1460340	Motor Casing
8	181/2440170	Accessories Carrier

Item	Part No.	Description
10	181/2440010	Right Casing
--	181/1261570	Screw (NOT SHOWN)
12	181/2440100	Stirrup
13	181/2440280	Screw M5x25
14	181/2180740	Ring Nut
17	181/4892	Motor
18	181/2329408	Pump Assy

NOTE: It is our policy to continually improve products and as such we reserve the right to alter data, specifications and component parts without prior notice.

IMPORTANT: No liability is accepted for incorrect use of product.

WARRANTY: Guarantee is 12 months from purchase date, proof of which will be required for any claim.



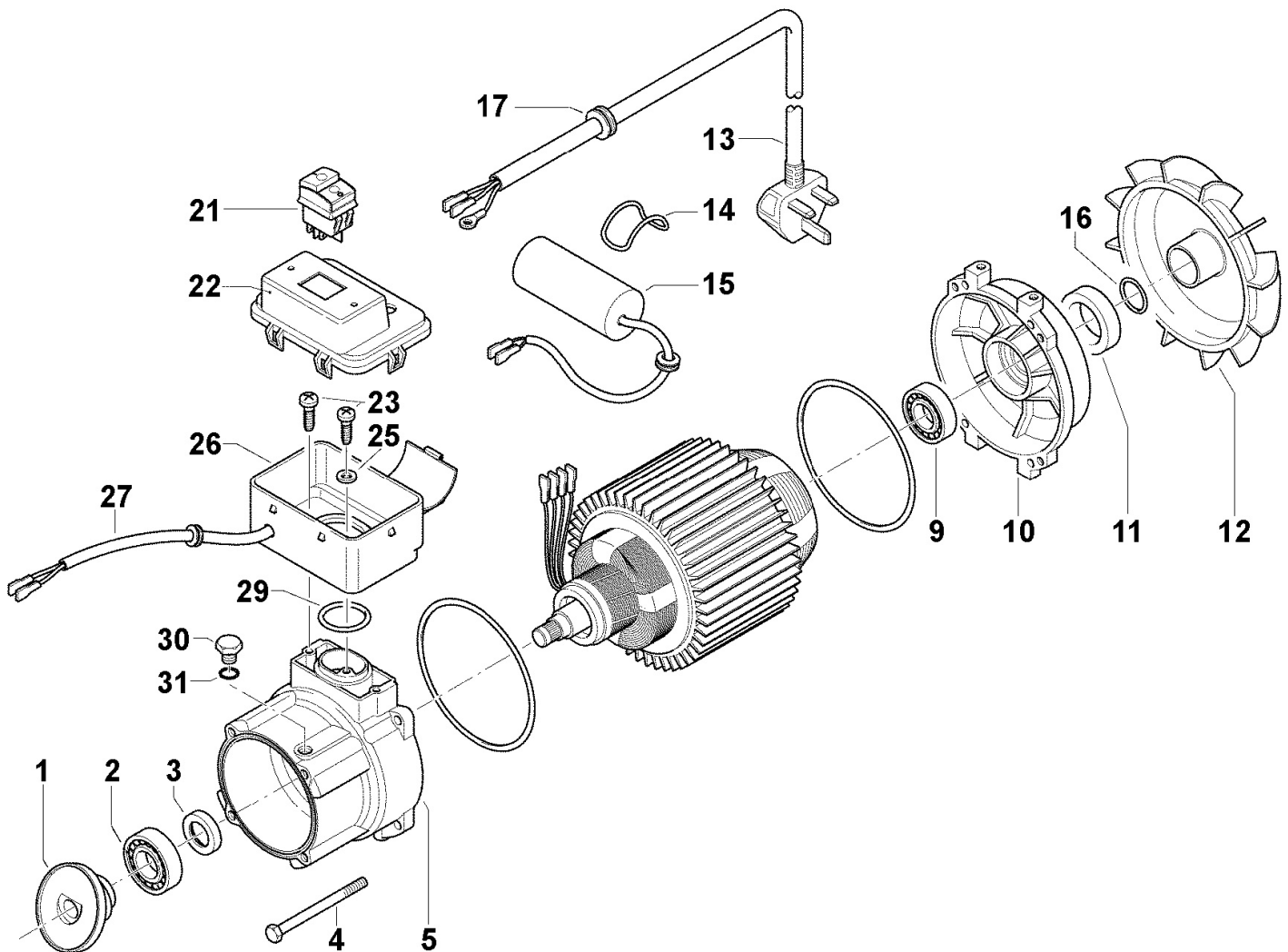
Item	Part No.	Description
1	181/1340260	Filter, Water Inlet
2	181/2101000	Screw M4x15
3	181/2100630	Suction Fitting
4	181/390180	O-Ring
5	181/770260	O-Ring
6	181/2440130	Extension
7	181/2109051	Complete Valve
8	SCB630.S	Socket Cap Bolt Zinc M6x30
9	181/2020120	Manifold, Pump
10	181/880840	O-Ring
11	181/2100551	Pump Head
12	181/2329001	Safety Valve
13	181/1260760	Socket cap bolt m5x20 zinc(use scb520.s)
15	181/2200140	Gasket
16	181/2020040	Washer Plastic
17	181/2021740	O-Ring

Item	Part No.	Description
18	181/394280	O-Ring
19	181/2020030	Insert
20	181/1683500	Seal
21	181/2200210	Screw M6x25
22	181/2020150	Spring, Piston
23	181/2020130	Piston 12mm
24	181/2020140	Collet, Piston
25	181/1680340	Bearing Race
26	181/1461770	Ball Race
27	181/1460070	Thrust Washer
28	181/1680680	O-Ring
29	181/2021880	Valve Seat
30	PW2000.27	Water Inlet Quick Connector(Screws Onto Pump)
31	181.2256	TSS ASM
34	181/394280	O-Ring
35	181/2440140	Extension

NOTE: It is our policy to continually improve products and as such we reserve the right to alter data, specifications and component parts without prior notice.

IMPORTANT: No liability is accepted for incorrect use of product.

WARRANTY: Guarantee is 12 months from purchase date, proof of which will be required for any claim.



Item	Part No.	Description
1	181/1460051	Wobble Plate
2	B/6204Z	Bearing 6204Z
3	181/1460530	Seal
4	181/1460720	Bolt
5	181/2320020	Flange
9	B/6203ZZ	Bearing 6203ZZ
10	181/1460040	Cover
11	181/1461200	Seal
12	181/1460370	Fan
13	181/1682040	Cable
14	181/2100840	O-Ring
15	181/1463040	Capacitor

Item	Part No.	Description
16	181/394280	O-Ring
17	181/2021480	Gland
21	181/2320280	Switch
--	PC2950/17	Switch (NOT SHOWN)
22	181/2320120	Switch Box Cover
23	181/2020570	Screw M4 x 12
25	181/1262400	Washer
26	181/2320131	Switch Box
27	181/1460070	Thrust Washer
29	181/660170	O-Ring
30	181/1682420	Plug
31	BS107	O-Ring 5.23x2.62

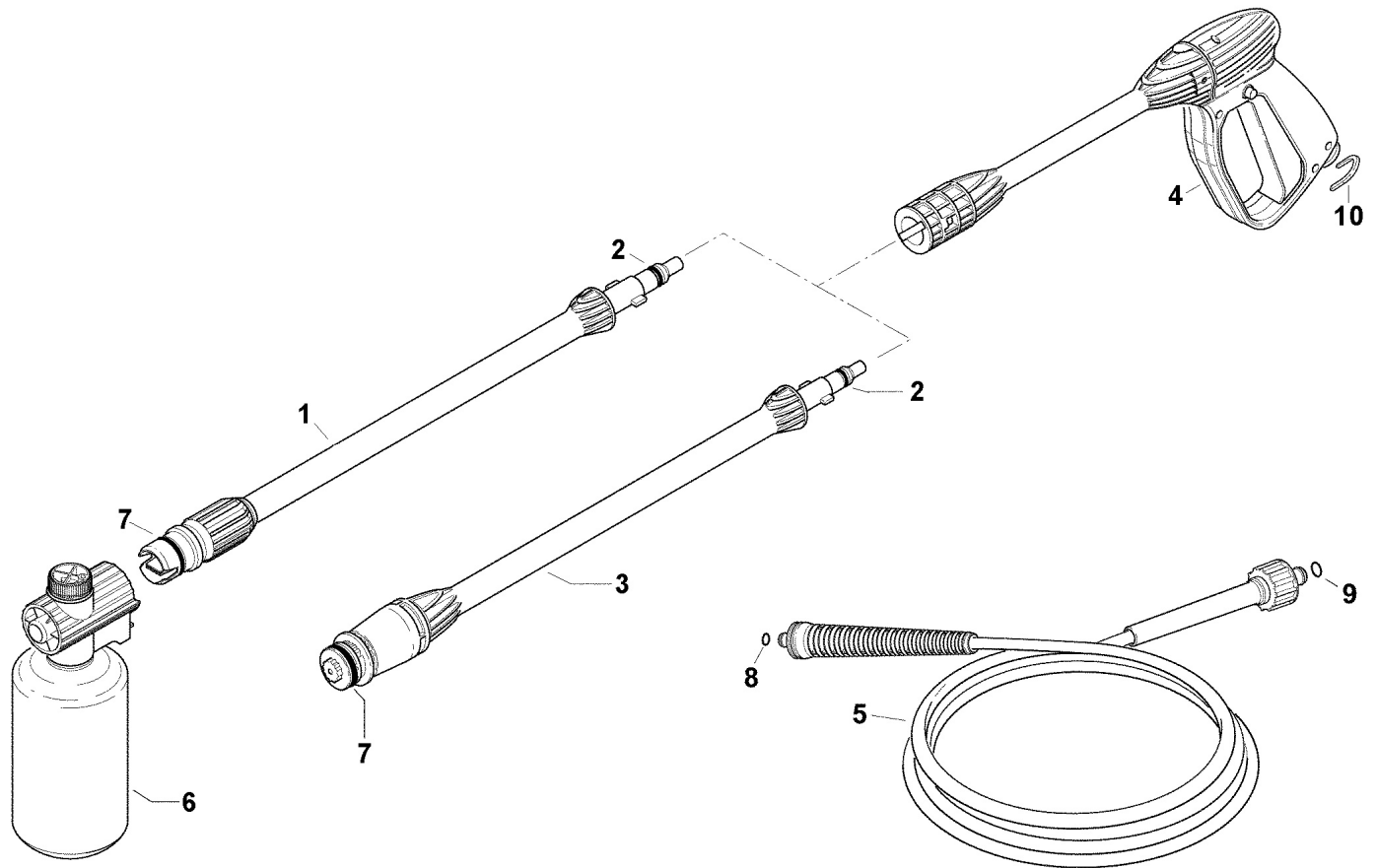
NOTE: It is our policy to continually improve products and as such we reserve the right to alter data, specifications and component parts without prior notice.

IMPORTANT: No liability is accepted for incorrect use of product.

WARRANTY: Guarantee is 12 months from purchase date, proof of which will be required for any claim.



Parts Information:
**Pressure Washer 3450psi with TSS &
 Rotablast® Nozzle 7ltr/min 230V
 Model No: PC3450**



Item	Part No.	Description
1	181.3737	Head And Lance 1.00mm
2	181/391000	O-Ring
3	181/40052	Rotary Lance
4	181/40116	Gun Complete With Half Lance
5	181/2000420	Hose(M22/14mm-Gun End 11mm M)6m Long
--	181.40030	Lance With Nozzle (NOT SHOWN)

Item	Part No.	Description
6	181/3641	Detergent Bottle
7	181/2000520	O-Ring
8	181/1080250	O-Ring
9	181.2000570	O-Ring
10	181/2000080	Clip, Hose Retaining

NOTE: It is our policy to continually improve products and as such we reserve the right to alter data, specifications and component parts without prior notice.

IMPORTANT: No liability is accepted for incorrect use of product.

WARRANTY: Guarantee is 12 months from purchase date, proof of which will be required for any claim.

Sealey Group, Kempson Way, Suffolk Business Park, Bury St Edmunds, Suffolk. IP32 7AR



01284 757500



01284 703534



sales@sealey.co.uk



www.sealey.co.uk