

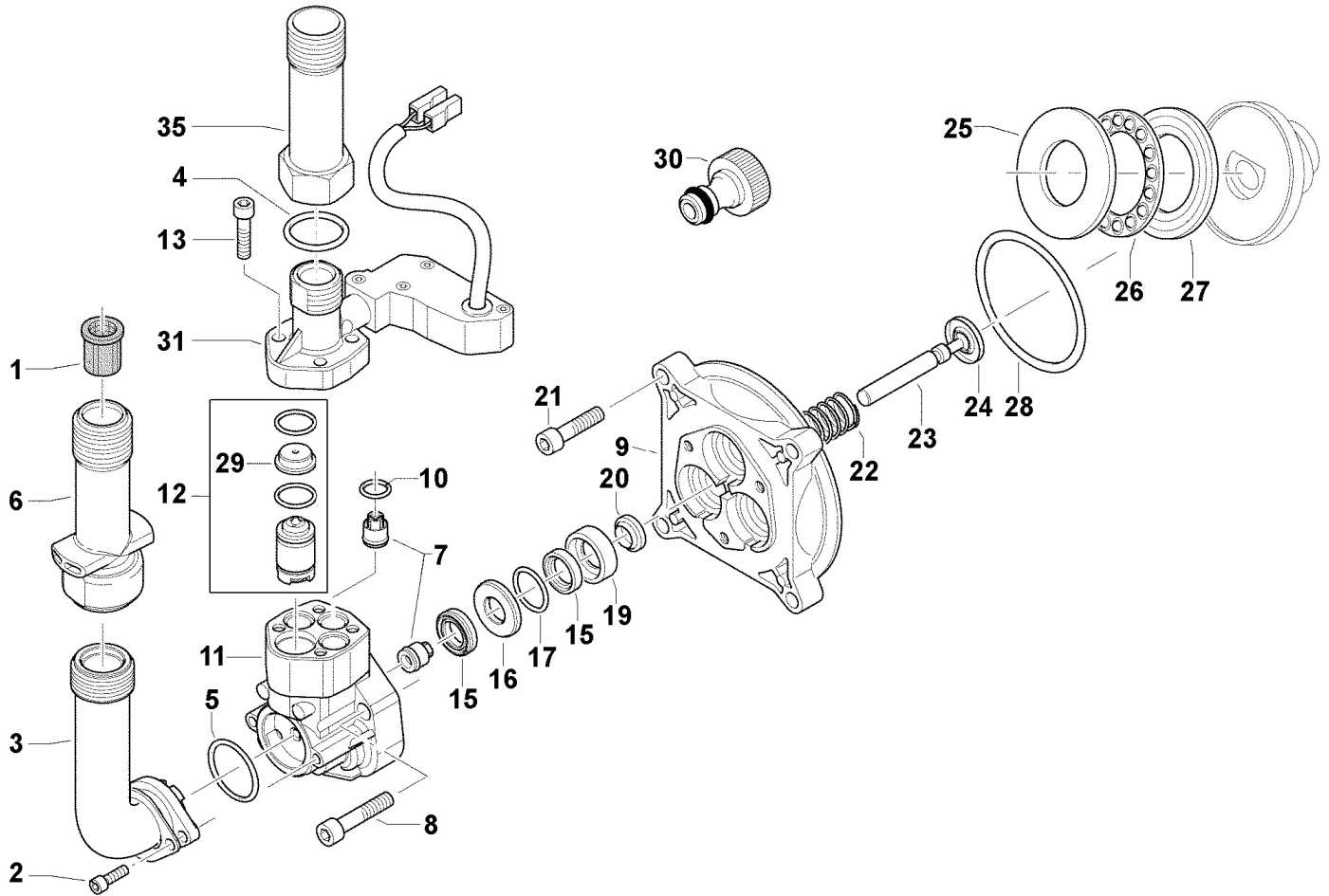
Item	Part No.	Description
1	181/2440063	Front Casing
2	181/2440030	Handle
3	181/2440070	Wheel, 160mm
4	181/2440020	Left Casing
5	181/2100300	RD Head S/T Screw 4.8 x 16 Black
6	181/2440150	Accessories Guide
7	181/1680190	Fan Duct
8	181/2440170	Accessories Carrier
10	181/2440010	Right Casing

Item	Part No.	Description
11	181/1261570	Screw
12	181/2440100	Stirrup
13	181/2440270	Screw M4x20
14	181/2180740	Ring Nut
15	181/2020570	Screw M4 x 12
16	181.2440300	Bracket
17	181/4891	Motor
18	181/2029429	Pump Assy
--	181.2029460	Pump Assy (NOT SHOWN)

NOTE: It is our policy to continually improve products and as such we reserve the right to alter data, specifications and component parts without prior notice.

IMPORTANT: No liability is accepted for incorrect use of product.

WARRANTY: Guarantee is 12 months from purchase date, proof of which will be required for any claim.



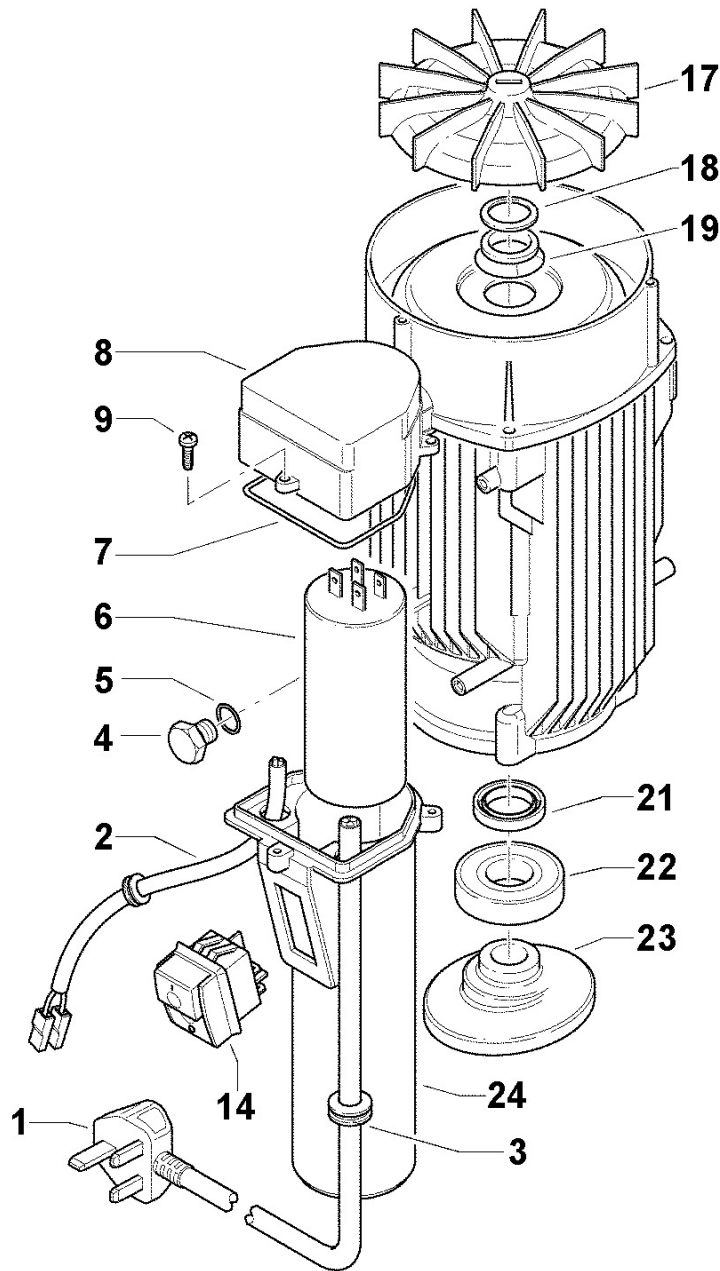
Item	Part No.	Description
1	181/1340260	Filter, Water Inlet
2	181/2101000	Screw M4x15
3	181/2100630	Suction Fitting
4	181/390180	O-Ring
5	181/770260	O-Ring
6	181/2440130	Extension
7	181/2109051	Complete Valve
8	SCB630.S	Socket Cap Bolt Zinc M6x30
9	181/2020120	Manifold, Pump
10	181/880840	O-Ring
11	181/2100551	Pump Head
12	181/2029033	Safety Valve
13	SCB520.S	Socket Head Cap Screw M5x20
15	181/2200140	Gasket
16	181/2020040	Washer Plastic
17	181/2021740	O-Ring

Item	Part No.	Description
19	181/2020030	Insert
20	181/1683500	Seal
21	181/2200210	Screw M6x25
22	181/2020150	Spring, Piston
23	181/2020130	Piston 12mm
24	181/2020140	Collet, Piston
25	181/1680340	Bearing Race
26	181/1461770	Ball Race
27	181/1460070	Thrust Washer
28	181/1680680	O-Ring
29	181/2020390	Valve Seat
30	PW2000.27	Water Inlet Quick Connector(Screws Onto Pump)
31	181.KIT 2250	TSS Arm Kit
35	181/2440140	Extension
--	181/2250	TSS ASM (NOT SHOWN)

NOTE: It is our policy to continually improve products and as such we reserve the right to alter data, specifications and component parts without prior notice.

IMPORTANT: No liability is accepted for incorrect use of product.

WARRANTY: Guarantee is 12 months from purchase date, proof of which will be required for any claim.



Item	Part No.	Description
1	181/1682040	Cable
2	181/2020630	Wiring Cable
3	181/2021480	Gland
4	181/1682420	Plug
5	BS107	O-Ring 5.23x2.62
6	181/1682640	Capacitor 25UF 400/450V 90x40
7	181/850840	Gasket
8	181/1680035	Motor Shield
9	181/1261551	Screw

Item	Part No.	Description
14	181/2320280	Switch
--	PC2950/17	Switch (NOT SHOWN)
17	181/1680250	Fan For Motor
18	181/2020850	Ring 20x26x1
19	181/1340350	Spacer
21	181/840020	Bush
22	B/6204	Bearing 6204
23	181/1680170	Wobble Plate
24	181/2440221	Capacitor Box 190mm Long

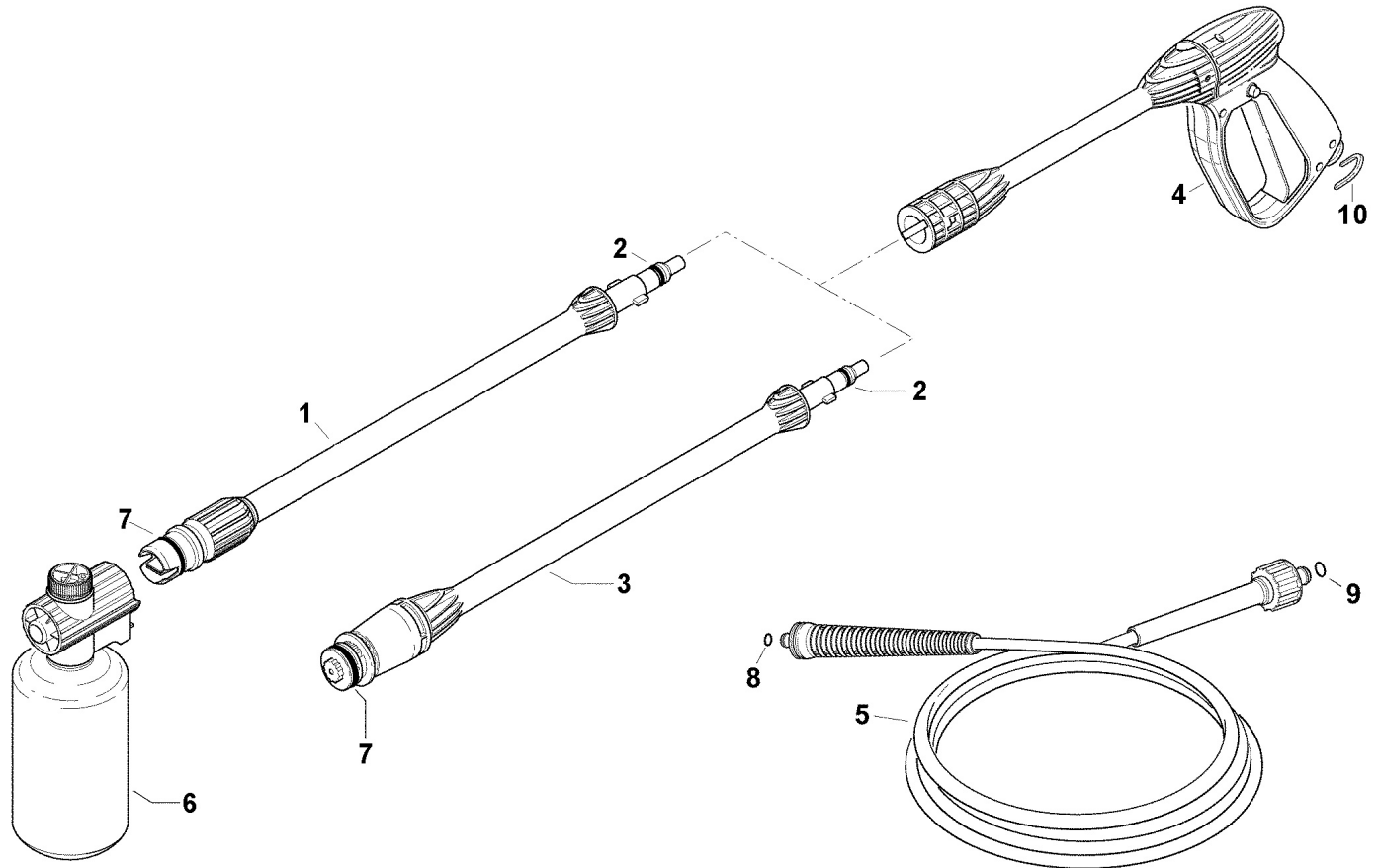
NOTE: It is our policy to continually improve products and as such we reserve the right to alter data, specifications and component parts without prior notice.

IMPORTANT: No liability is accepted for incorrect use of product.

WARRANTY: Guarantee is 12 months from purchase date, proof of which will be required for any claim.



Parts Information:
Pressure Washer 3150psi with TSS & Rotablast® Nozzle 6.5ltr/min 230V
Model No: PC3150



Item	Part No.	Description
1	181/40117	Head And Lance 1.04mm
2	181/391000	O-Ring
3	181/3772	Rotopower Nozzle & Half Lance
--	181.3082330	Rotopower Lance (NOT SHOWN)
4	181/40116	Gun Complete With Half Lance
--	181.40030	Lance With Nozzle (NOT SHOWN)
--	181/40116	Gun Complete With Half Lance (NOT SHOWN)
5	181/2000420	Hose(M22/14mm-Gun End 11mm M)6M Long
6	181/3641	Detergent Bottle

Item	Part No.	Description
7	181/2000520	O-Ring
8	181/1080250	O-Ring
9	181.2000570	O-Ring
10	181/2000080	Clip, Hose Retaining
--	181.2101450	Inlet Fitting Plate (NOT SHOWN)
--	181.3082330	Rotopower Lance (NOT SHOWN)
--	181.3685	Nozzle (NOT SHOWN)
--	181.3082750	Adaptor (NOT SHOWN)

NOTE: It is our policy to continually improve products and as such we reserve the right to alter data, specifications and component parts without prior notice.

IMPORTANT: No liability is accepted for incorrect use of product.

WARRANTY: Guarantee is 12 months from purchase date, proof of which will be required for any claim.

Sealey Group, Kempson Way, Suffolk Business Park, Bury St Edmunds, Suffolk. IP32 7AR



01284 757500



01284 703534



sales@sealey.co.uk



www.sealey.co.uk