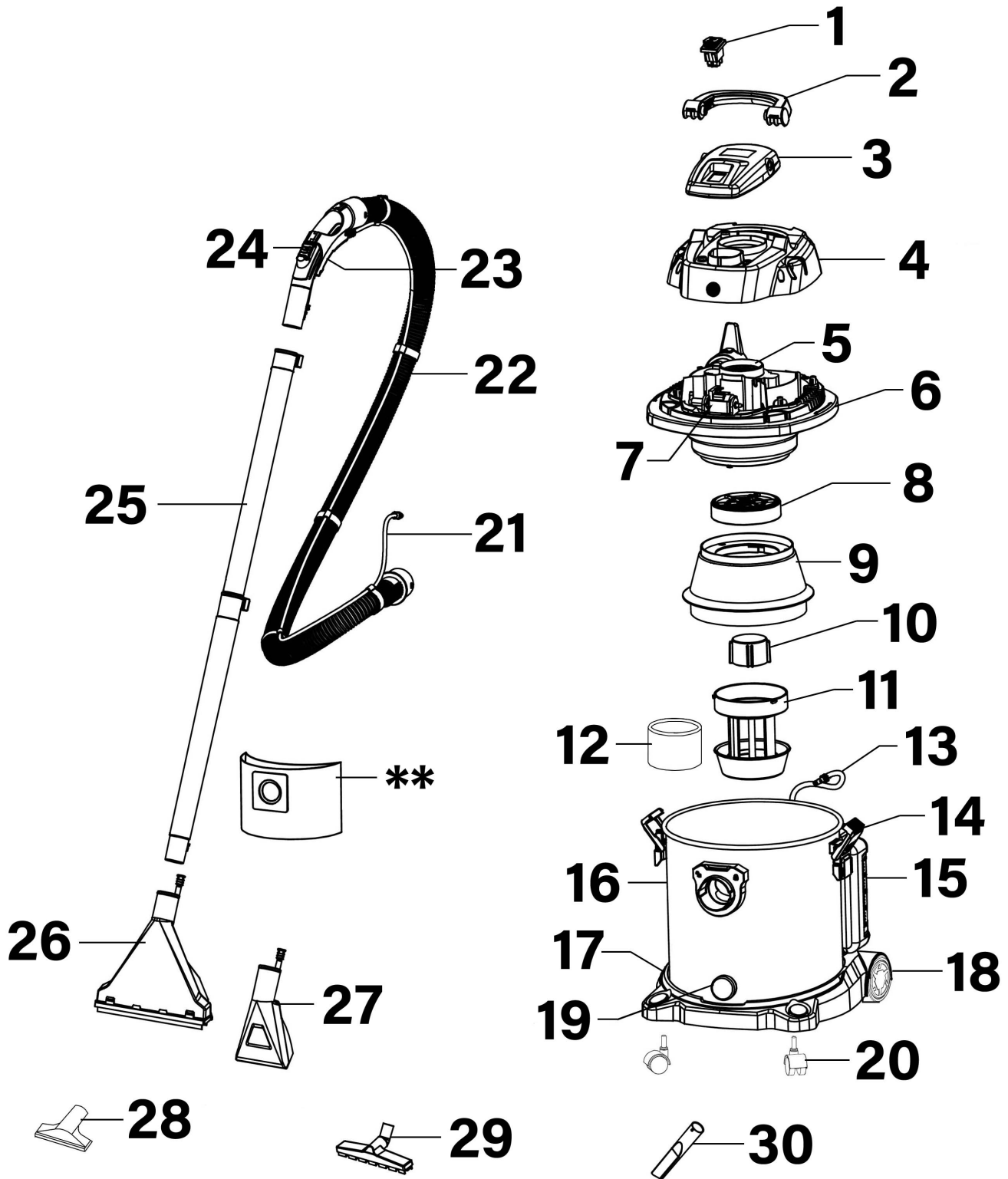




Parts Information:
Valeting Machine Wet & Dry with
Accessories 20L 1400W/230V
Model No: PC310.V2



NOTE: It is our policy to continually improve products and as such we reserve the right to alter data, specifications and component parts without prior notice. There may be alternative versions of this product, please contact us should you require this information.

IMPORTANT: No liability is accepted for incorrect use of product. Spare parts must be fitted by a competent person

WARRANTY: Guarantee is 12 months from purchase date, proof of which will be required for any claim.

Sealey Group, Kempson Way, Suffolk Business Park, Bury St Edmunds, Suffolk. IP32 7AR



01284 757500



sales@sealey.co.uk



www.sealey.co.uk



Parts Information:
Valeting Machine Wet & Dry with
Accessories 20L 1400W/230V
Model No: PC310.V2

| Item | Part No. | Description |
|------|-------------|--------------------------------|
| 1 | PC310-V2-01 | Rocker Switch On/Off |
| 2 | PC310-V2-02 | Handle for Top Cover |
| 3 | PC310-V2-03 | Top Cover |
| 4 | PC310-V2-04 | Middle Cover |
| 5 | PC310-V2-05 | Motor |
| 6 | PC310-V2-06 | Base Cover |
| 7 | PC310-V2-07 | Water Pump |
| 8 | PC310CF | Cartridge Filter for PC310 |
| 9 | PC310-V2-09 | Protection Cover |
| 10 | PC310-V2-10 | Safety Valve |
| 11 | PC310-V2-11 | Basket |
| 12 | PC310-V2-12 | Silencer Sponge |
| 13 | PC310-V2-13 | Water Pipe for Water/Soap Tank |
| 14 | PC310-V2-14 | Tank Clip |
| 15 | PC310-V2-15 | Water/Soap Tank 3.5ltr |
| 16 | PC310-V2-16 | Plastic Tank 20ltr |

| Item | Part No. | Description |
|------|-------------|---|
| 17 | PC310-V2-17 | Tank Base |
| 18 | PC310-V2-18 | Fixed Wheel |
| 19 | PC310-V2-19 | Drain Plug |
| 20 | PC310-V2-20 | Wheel, Swivel Castor, Single Bolt |
| 21 | PC310-V2-21 | Shampoo Delivery Hose |
| 22 | PC310-V2-22 | Flexible Suction Hose |
| 23 | PC310-V2-23 | Control Switch |
| 24 | PC310-V2-24 | Airflow Control Handle |
| 25 | PC310-V2-25 | Extension Tube (x2pcs) |
| 26 | PC310-V2-26 | Shampoo Head (Large) |
| 27 | PC310-V2-27 | Shampoo Head (Small) |
| 28 | PC310-V2-28 | Utility Nozzle |
| 29 | PC310-V2-29 | Combo Floor Brush |
| 30 | PC310-V2-30 | Crevice Tool |
| ** | PC200PB5 | Dust Collection Bag for PC200 Series Pack of 5 (OPTIONAL) |

NOTE: It is our policy to continually improve products and as such we reserve the right to alter data, specifications and component parts without prior notice. There may be alternative versions of this product, please contact us should you require this information.

IMPORTANT: No liability is accepted for incorrect use of product. Spare parts must be fitted by a competent person

WARRANTY: Guarantee is 12 months from purchase date, proof of which will be required for any claim.

Sealey Group, Kempson Way, Suffolk Business Park, Bury St Edmunds, Suffolk. IP32 7AR



01284 757500



sales@sealey.co.uk



www.sealey.co.uk