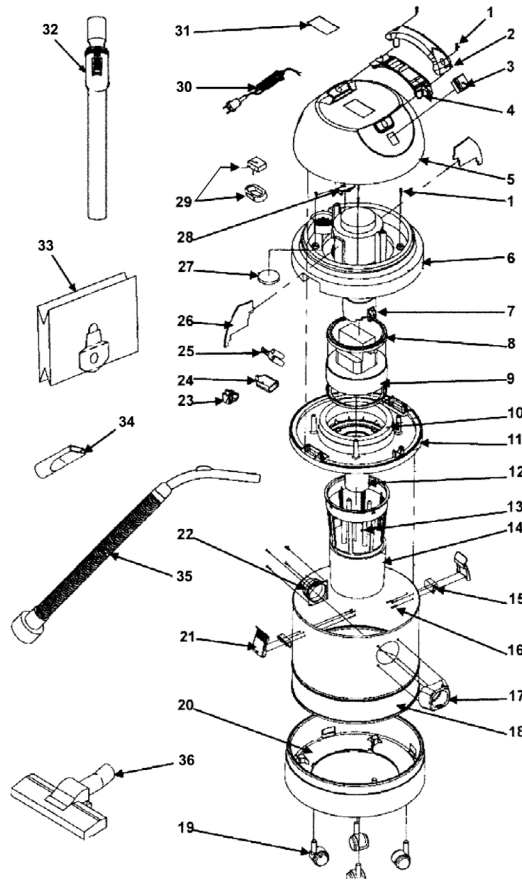




Parts Information:  
**Vacuum Cleaner Industrial 30ltr**  
**1250W/230V Stainless Bin**  
**Model No: PC300SD**



Item	Part No.	Description
1	PC200.01	Screw
2	PC200.02	Upper Handle
3	PC200.03	Switch
4	PC200.04	Lower Handle
5	PC200.05	Upper Cover
6	PC200.06	Middle Cover
7	PC200.07	Baffle
8	PC200.08	Sealed Ring
9	PC200.09	Motor (Internal 230V 1250W)
10	PC200.10	Foam Ring
11	PC200.11	Lower Cover
12	PC200.12	Waterproof Cup
13	PC200.13	Basket
--	PC200FF10	Foam Filter Series Pack Of 10 (NOT SHOWN)
14	PC200.14	Foam Filter (Single)
15	PC200SD.V3-24	Hook Base
16	PC200SD.16	Screws
17	PC200SD.17	Hose Base
18	PC300SD.18	Tank 30Ltr
19	PC200.18	Wheel,Castor (d:37xw:27xh:44)

Item	Part No.	Description
20	PC200SD.20	Base
21	PC310.06	Bin Clip
22	PC200SD.22	Hose Base
23	PC200.22	Wire Slot
24	PC200.20	Socket
25	PC200.21	Wire Plug
26	PC200.23	Board
27	PC200.24	Filter
28	PC200.25	Clip
29	PC200.27	Capacitor 15uf 250x275v 2x0.5
30	MC3CX1.0	Mains Cable Blk, 3 Core, 1.0mm2
31	PC200SD.32	Label
32	PC300SD.V3-53	Telescopic Stainless Tube
33	PC300PB5	Dust Collection Bag Series Pack Of 5
34	PC200.32	Narrow Nozzle
35	PC200SD.36	Inlet Suction Hose W/Adjustable Flow Switch
36	PC200SD.37	Combo Nozzle
--	PC200CF	Cartridge Filter (NOT SHOWN)
--	VACHOSE5M	Vacuum Hose 5Mtr (NOT SHOWN)

**NOTE:** It is our policy to continually improve products and as such we reserve the right to alter data, specifications and component parts without prior notice.

**IMPORTANT:** No liability is accepted for incorrect use of product.

**WARRANTY:** Guarantee is 12 months from purchase date, proof of which will be required for any claim.

**Sealey Group**, Kempson Way, Suffolk Business Park, Bury St Edmunds, Suffolk. IP32 7AR



01284 757500



01284 703534



sales@sealey.co.uk



www.sealey.co.uk