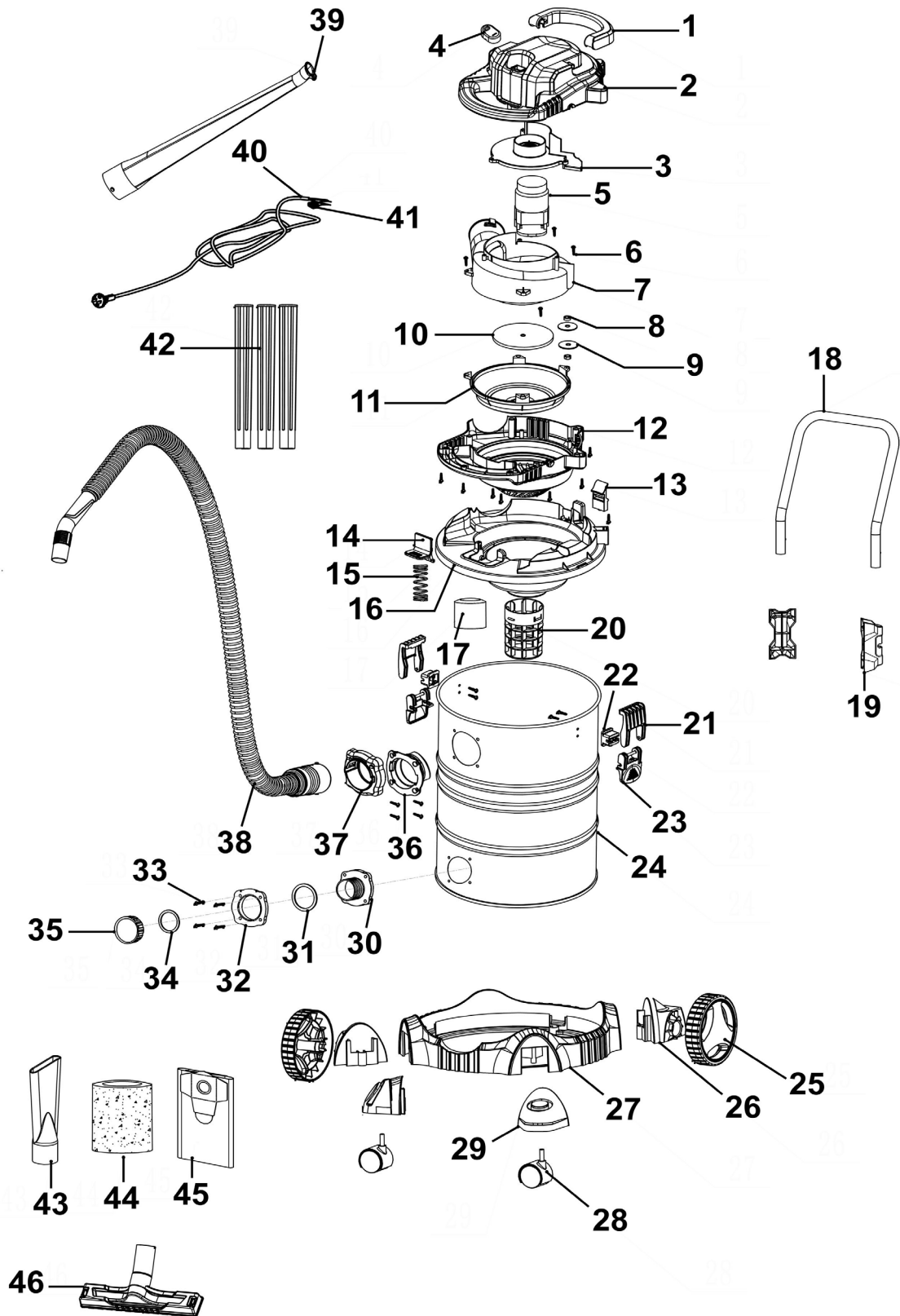




Parts Information:
Vacuum Cleaner Stainless Steel Drum &
Detachable Leaf Blower 30L 1200W
Model No: PC300SD.V4



NOTE: It is our policy to continually improve products and as such we reserve the right to alter data, specifications and component parts without prior notice. There may be alternative versions of this product, please contact us should you require this information.

IMPORTANT: No liability is accepted for incorrect use of product. Spare parts must be fitted by a competent person

WARRANTY: Guarantee is 12 months from purchase date, proof of which will be required for any claim.

Sealey Group, Kempson Way, Suffolk Business Park, Bury St Edmunds, Suffolk. IP32 7AR



01284 757500



sales@sealey.co.uk



www.sealey.co.uk



Parts Information:
**Vacuum Cleaner Stainless Steel Drum &
Detachable Leaf Blower 30L 1200W
Model No: PC300SD.V4**

Item	Part No.	Description	Qty
1	PC300SD-V4-01	Top Handle	1
2	PC300SD-V4-02	Top Cover	1
3	PC300SD-V4-03	Air Deflector Board	1
4	PC300SD-V4-04	Rocker Switch	1
5	PC300SD-V4-05	Motor	1
6	PC300SD-V4-06	Self-Tapping Screw ST4x14	20
7	PC300SD-V4-07	Motor Cover	1
8	PC300SD-V4-08	Shaft Sleeve	1
9	PC300SD-V4-09	Washer	2
10	PC300SD-V4-10	Fan Set	1
11	PC300SD-V4-11	Tray	1
12	PC300SD-V4-12	Middle Cover	1
13	PC300SD-V4-13	Buckle	1
14	PC300SD-V4-14	Locking Clip	1
15	PC300SD-V4-15	Spring for Locking Clip	1
16	PC300SD-V4-16	Lower Cover	1
17	PC300SD-V4-17	Float	1
18	PC300SD-V4-18	Push Handle	1
19	PC300SD-V4-19	Push Handle Sleeve	2
20	PC300SD-V4-20	Basket	1
21	PC300SD-V4-21	Tank Clip (Upper)	1
22	PC300SD-V4-22	Tank Clip Base	1
23	PC300SD-V4-23	Tank Clip (Lower)	1
24	PC300SD-V4-24	Stainless Steel Tank 30L	1

Item	Part No.	Description	Qty
25	PC300SD-V4-25	Rear Wheel	2
26	PC300SD-V4-26	Base for Rear Wheel	2
27	PC300SD-V4-27	Tank Base	1
28	PC300SD-V4-28	Wheel, Fixed Castor, Single Bolt	2
29	PC300SD-V4-29	Base for Fixed Castor	2
30	PC300SD-V4-30	Drainage Outlet	1
31	PC300SD-V4-31	Sealing Ring for Drainage Outlet	1
32	PC300SD-V4-32	Fixed Base for Drainage Outlet	1
33	PC300SD-V4-33	Self-Tapping Screw ST4 x 12	1
34	PC300SD-V4-34	Sealing Ring for Drainage Cap	1
35	PC300SD-V4-35	Drainage Cap	1
36	PC300SD-V4-36	Hose Inlet Base	1
37	PC300SD-V4-37	Hose Inlet	1
38	PC300SD-V4-38	Hose	1
39	PC300SD-V4-39	Leaf Blower Nozzle	1
40	PC300SD-V4-40	Power Cord	1
41	PC300SD-V4-41	Capacitor	1
42	PC300SD-V4-42	Extension Tube (Plastic)	3
43	PC300SD-V4-43	Crevice Tool	1
44	PCU01	Foam Filter for PC200 & PC300 Series - Pack of 10	
45	PCU04	Dust Collection Bag for PC300 Series - Pack of 5	
46	PC300SD-V4-46	Floor Brush	1

NOTE: It is our policy to continually improve products and as such we reserve the right to alter data, specifications and component parts without prior notice. There may be alternative versions of this product, please contact us should you require this information.

IMPORTANT: No liability is accepted for incorrect use of product. Spare parts must be fitted by a competent person

WARRANTY: Guarantee is 12 months from purchase date, proof of which will be required for any claim.

Sealey Group, Kempson Way, Suffolk Business Park, Bury St Edmunds, Suffolk. IP32 7AR



01284 757500



sales@sealey.co.uk



www.sealey.co.uk