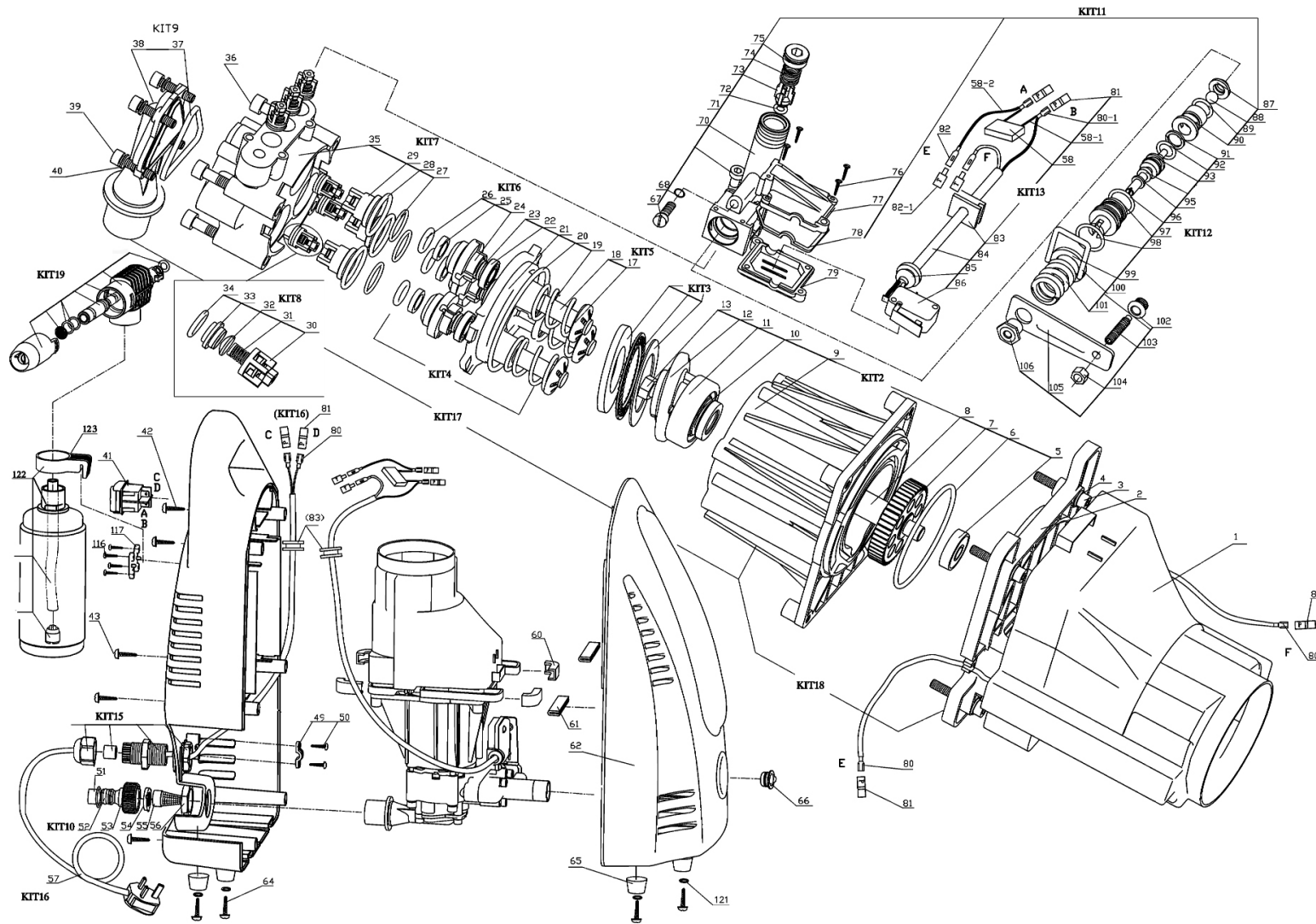




Parts Information:  
Pressure Washer 2950psi with TSS & Rotablast® Nozzle 6ltr/Min 230V  
Model No: PC2700



**NOTE:** It is our policy to continually improve products and as such we reserve the right to alter data, specifications and component parts without prior notice.

**IMPORTANT:** No liability is accepted for incorrect use of product.

**WARRANTY:** Guarantee is 12 months from purchase date, proof of which will be required for any claim.

Sealey Group, Kempson Way, Suffolk Business Park, Bury St Edmunds, Suffolk. IP32 7AR



01284 757500



01284 703534



sales@sealey.co.uk



www.sealey.co.uk



Parts Information:  
**Pressure Washer 2950psi with TSS & Rotablast® Nozzle 6ltr/Min 230V**  
**Model No: PC2700**

Item	Part No.	Description
<b>KIT 2</b>	<b>PC2700/KIT 2</b>	<b>Pump Pedestal Assembly</b>
5	B/629ZZ	Bearing 629ZZ
6	FNA.22005800	O-Ring
7	FNA.43011300	Gear Wheel
8	FNA.43008400	Gear Shaft
9	FNA.43060300	Pump Base Parts
10	FNA.22005600	Oil Seal
11	B/6302	Bearing 6302
12	FNA.43014600	Wobble Plate
13	FNA.21006500	Wobble Plate Screw (Left)
<b>KIT 3</b>	<b>PC2700/KIT 3</b>	<b>Thrust Bearing</b>
<b>KIT 4</b>	<b>PC2700/KIT 4</b>	<b>Piston Body Assembly</b>
19	FNA.43010500	Piston Spring
20	FNA.22005800	O-Ring
21	FNA.43008800	Piston Body
22	FNA.41003400	Piston Seal
23	FNA.22005200	Small O-Ring
<b>KIT 5</b>	<b>PC2700/KIT 5</b>	<b>Piston Assembly</b>
17	FNA.43009100	Piston Spring Seat
18	FNA.43010000	Piston
<b>KIT 6</b>	<b>PC2700/KIT 6</b>	<b>Pilot Sheath Assembly</b>
24	FNA.42020800	Pilot Sheath
25	FNA.42021200	Graphite Ring
26	FNA.22005100	Piston O-Ring
<b>KIT 7</b>	<b>PC2700/KIT 7</b>	<b>Pump Body Assembly</b>
27	FNA.22004300	O-Ring Pilot Sheath
28	FNA.22004200	O-Ring
29	FNA.42020900	Check Valve Coupling
35	FNA.43008900	Pump Body
<b>KIT 8</b>	<b>PC2700/KIT 8</b>	<b>Check Valve Assembly</b>
30	FNA.42021100	Check Valve Pedestal
31	FNA.43010300	Check Valve Spring
32	FNA.43009200	Check Valve
33	FNA.42021000	Check Valve Cover

Item	Part No.	Description
34	FNA.22004400	Check Valve O-Ring
<b>KIT 9</b>	<b>PC2700/KIT 9</b>	<b>Inlet Pipe Assembly</b>
37	FNA.41003200	Inlet Pipe Seal Ring
38	FNA.42043800	Inlet Pipe
55	FNA.42000300	Inlet Filter
<b>KIT 10</b>	<b>PC2700/KIT 10</b>	<b>Inlet Pipe Connection Assembly</b>
52	FNA.22005300	Water Inlet O-Ring
53	FNA.42044000	Water Inlet Connection
54	FNA.41003300	Water Inlet Connection Filter Pad
<b>KIT 11</b>	<b>PC2700/KIT 11</b>	<b>Outlet Casting (TSS) Assembly</b>
67	FNA.43010200	Screw
68	FNA.22004800	O-Ring
70	FNA.43014000	Outlet (Style B)
71	FNA.22005400	O-Ring
72	FNA.22004500	O-Ring
73	FNA.42021700	Valve Core
74	FNA.43010400	Valve Core Spring
75	FNA.43010100	Plug Screw
76	FNA.21011300	Screw
77	FNA.42028500	Bottom Electrical Box
78	FNA.41003600	Seal Pad
79	FNA.42030000	Upper Electrical Box
87	FNA.42021900	Steel Ball Cover
88	SB-70	Steel Ball 7.0mm
89	FNA.22004600	O-Ring
90	FNA.42022000	Spill Valve Shell
<b>KIT 12</b>	<b>PC2700/KIT 12</b>	<b>Valve Sleeve Assembly</b>
91	FNA.41003000	Closing Ring
92	FNA.22004600	O-Ring
93	FNA.43008200	Spill Valve Core
95	FNA.41009300	Closing Ring
96	FNA.22003700	O-Ring
97	FNA.42021800	Spill Valve Jacket
98	FNA.22004700	O-Ring

**NOTE:** It is our policy to continually improve products and as such we reserve the right to alter data, specifications and component parts without prior notice.

**IMPORTANT:** No liability is accepted for incorrect use of product.

**WARRANTY:** Guarantee is 12 months from purchase date, proof of which will be required for any claim.

**Sealey Group**, Kempson Way, Suffolk Business Park, Bury St Edmunds, Suffolk. IP32 7AR



01284 757500



01284 703534



sales@sealey.co.uk



www.sealey.co.uk



Parts Information:  
**Pressure Washer 2950psi with TSS &  
 Rotablast® Nozzle 6ltr/Min 230V  
 Model No: PC2700**

Item	Part No.	Description
99	FNA.43009400	Closing Ring
100	FNA.43009300	U-Pin
101	FNA.43009700	Spill Valve Spring
102	FNA.41003500	Feeler Lever Jacket
103	FNA.43008300	Feeler Lever
104	SN5.S	Steel Nut M5 Zinc Din934 (Single)
105	FNA.43009500	Total Stop Blade
106	FNA.25000300	Nut
<b>KIT 13</b>	<b>PC2700.KIT13</b>	<b>Micro Switch Assembly</b>
84	FNA.31001900	Micro Switch Cord
58-2	FNA.31002400	Cord
86	FNA.33000700	Micro Switch
58	FNA.37000400	Anti-Jamming
82-1	FNA.37008300	Insert Hard Sleeve
82	FNA.37009200	Short Straight Insert
80-1	FNA.37009300	Straight Slot
85	FNA.41003700	Micro Switch Cord Ring Boot
83	FNA.41003800	Micro Switch Cord Square Boot
58-1	FNA.42011300	Thermoplastic Tube
<b>KIT 15</b>	<b>PC2700.KIT15</b>	<b>Cable Grommet Assembly</b>
<b>KIT 16</b>	<b>PC2700.KIT16</b>	<b>Cable Assembly</b>
57	FNA.31004301	Cable
80	FNA.37000100	Slot
81	FNA.37008400	Slot Hard Sleeve
83	FNA.41003800	Micro Switch Cord Square Boot
<b>KIT 17</b>	<b>PC2700/KIT 17</b>	<b>Pump Assembly</b>
36	FNA.21006400	Cap Screw
39	SCB416.S	Socket Cap Bolt Zinc M4x16
40	FWM5.S	Flat Washer M5 Single
<b>KIT 18</b>	<b>PC2700/KIT 18</b>	<b>Motor/Pump Assy Complete (Internal)</b>
1	FNA.42022500	Motor Cover
2	FNA.10014300	Motor (Internal 230V 50HZ)
3	SCB528.S	Socket Head Cap Screw M5x28mm (Single)

Item	Part No.	Description
4	FNA.21007300	Rubber Packing
<b>KIT 19</b>	<b>PCAK05</b>	<b>Detergent Bottle Lance</b>
122	PCAK05	Detergent Bottle Lance
123	FNA.42029400	Hook For Soap Bottle
<b>KIT 20</b>	<b>PC2700/KIT 20</b>	<b>Complete Case Assembly 1675A</b>
41	FNA.33000800	Main Switch
42	FNA.23013800	Screw
43	FNA.23013900	Screw
49	FNA.42023100	Clamping Plate
50	FNA.21009700	RD Head S/T Screw M3.5 x 12 Black
51	FNA.42021600	Inlet Cover
56	FNA.42044500	Inlet Nut
60	FNA.41004200	Rubber Pad
61	FNA.41004300	Shell Rubber Block
62	FNA.42029500	Red Front Case
64	FNA.21013800	Screw
65	FNA.42031300	Foot
66	FNA.42045300	Outlet Cover
116	FNA.21009600	Screw
117	FNA.42028900	Detergent Bottle Hooking Support
121	FNA.21001600	Plain Cushion
--	FNA.43009600	Pump Pedestal (NOT SHOWN)
--	FNA.31002700	Connecting Line (NOT SHOWN)
--	SCB535.S	Socket Head Cap Screw M5x35 (NOT SHOWN)
--	FNA.42029600	Back Case (NOT SHOWN)
--	PCAK06	Extension Lance 345mm (NOT SHOWN)
--	PW2000.60	Hose (M22/15mm-Gun End 16mm M)5M Long (NOT SHOWN)
--	PC2700/KIT 1	Trolley Base (NOT SHOWN)
--	FNA.63051900	140V Rating Label (NOT SHOWN)
--	FNA.63052000	140V Brand Label (NOT SHOWN)
--	FNA.63012500	General Warning Label (NOT SHOWN)
--	FNA.63042000	PP Noise Label (NOT SHOWN)
--	KTRI83571	Lance (NOT SHOWN)
--	FNA.10083100	Micro Switch Assembly (NOT SHOWN)
--	PC2700.SK	Seal Kit (NOT SHOWN)
--	FNA.43011900	Trigger Spring (NOT SHOWN)
--	FNA.21013100	Screw (NOT SHOWN)

**NOTE:** It is our policy to continually improve products and as such we reserve the right to alter data, specifications and component parts without prior notice.

**IMPORTANT:** No liability is accepted for incorrect use of product.

**WARRANTY:** Guarantee is 12 months from purchase date, proof of which will be required for any claim.

**Sealey Group**, Kempson Way, Suffolk Business Park, Bury St Edmunds, Suffolk. IP32 7AR



01284 757500



01284 703534



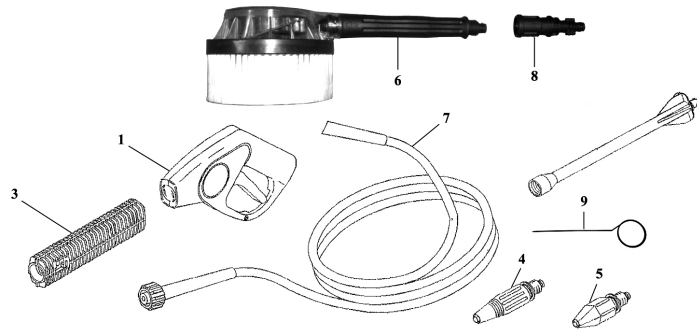
sales@sealey.co.uk



www.sealey.co.uk

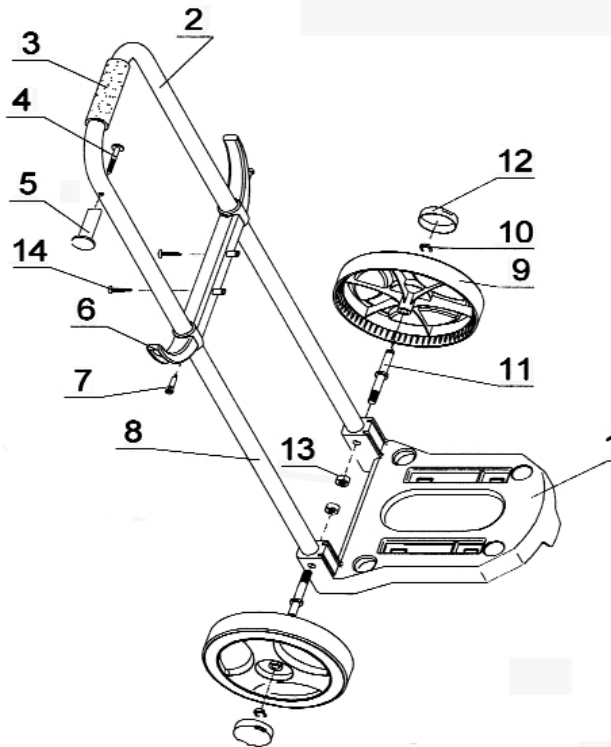


Parts Information:  
**Pressure Washer 2950psi with TSS & Rotablast® Nozzle 6ltr/Min 230V**  
**Model No: PC2700**



Item	Part No.	Description
1	FNA.10009502	Gun
3	FNA.10009400	Half Lance
4	PCAK04	Variable Spray Jet Nozzle
5	PCAK03	Turbo Rotablast Nozzle

Item	Part No.	Description
6	PCAK08	Rotary Brush Ø150mm
7	FNA.42025201	Connect Hose
8	FNA.42038301	Adaptor
9	PW2000.57	Needle Probe



Item	Part No.	Description
1	FNA.42032700	Trolley Base
2	FNA.43004300	Upper Trolley Tube
3	FNA.42014800	Handle Sleeve
4	FNA.21010500	RD Head S/T Screw M5x40 Black
5	FNA.42033300	Hook
6	FNA.42033400	Hook / Connector
7	MSP410.SB	Machine Screw Pan Head Phillips M4x10mm Black

Item	Part No.	Description
8	FNA.43004200	Straight Trolley Tube
9	FNA.42027300	Wheel,Fixed (148x8x29)
10	FNA.25000400	Axle Retaining Clip
11	FNA.43002000	Axle
12	FNA.42027700	Wheel Cover (Hub Cap)
13	SN8.SB	Steel Nut M8 Black (Single)
14	FNA.21003900	Screw (3x22)
--	FNA.10081000	Trolley Assembly (Parts 1-14)

**NOTE:** It is our policy to continually improve products and as such we reserve the right to alter data, specifications and component parts without prior notice.

**IMPORTANT:** No liability is accepted for incorrect use of product.

**WARRANTY:** Guarantee is 12 months from purchase date, proof of which will be required for any claim.

**Sealey Group**, Kempson Way, Suffolk Business Park, Bury St Edmunds, Suffolk. IP32 7AR



01284 757500



01284 703534



sales@sealey.co.uk



www.sealey.co.uk