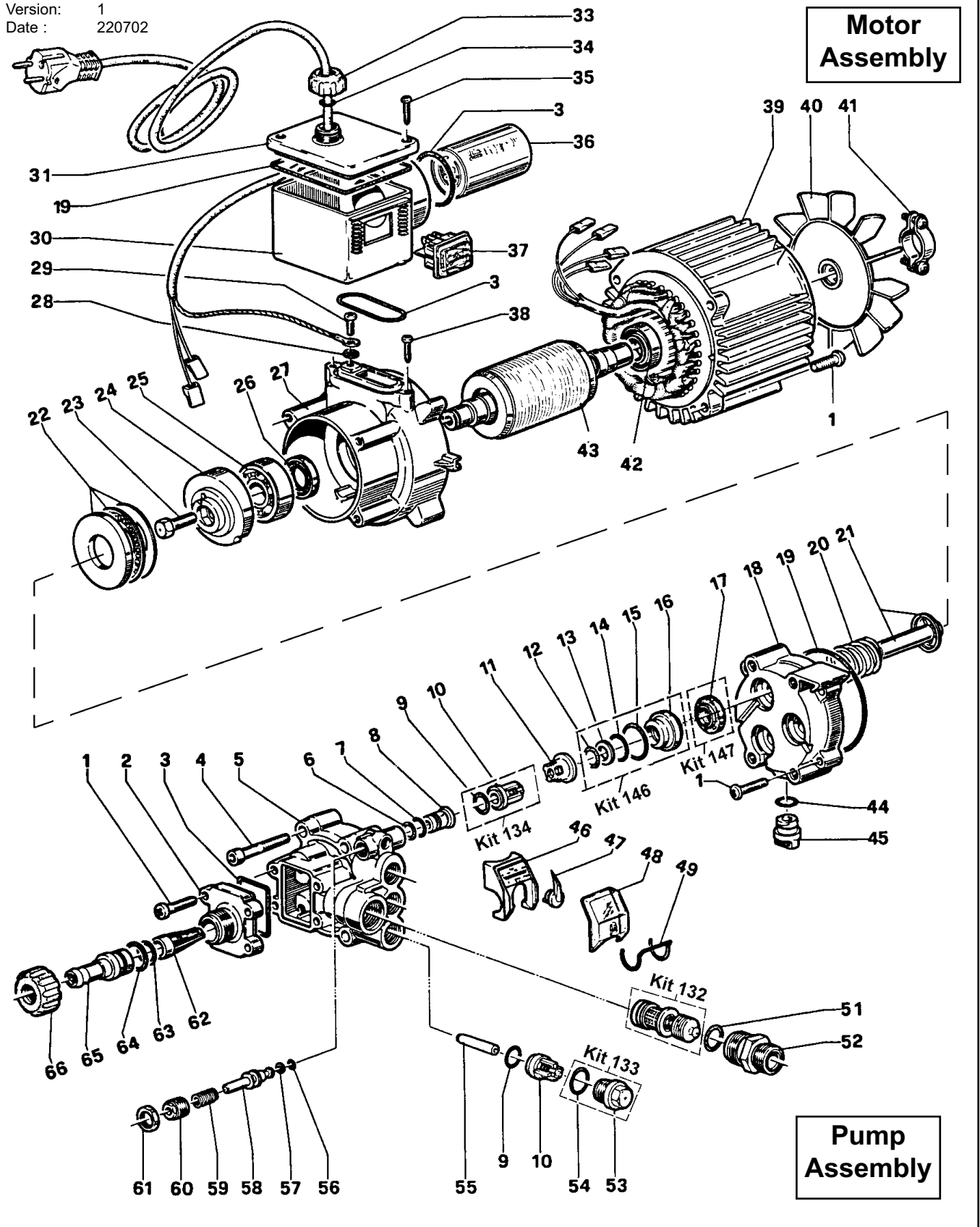
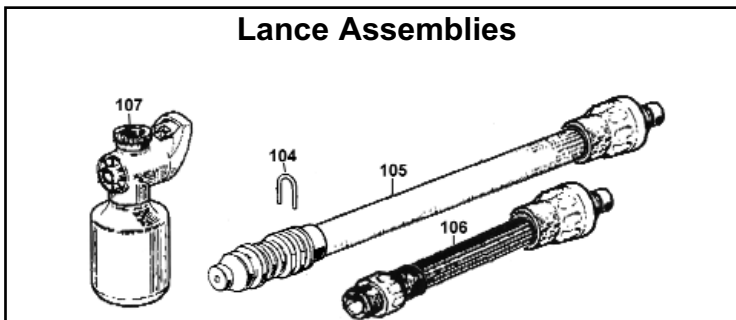
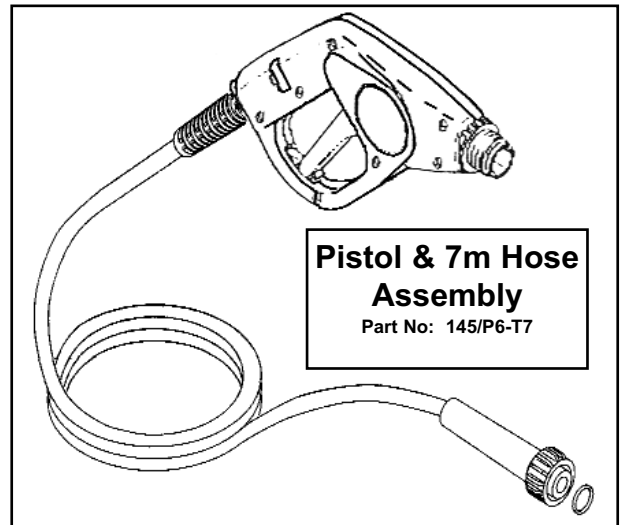
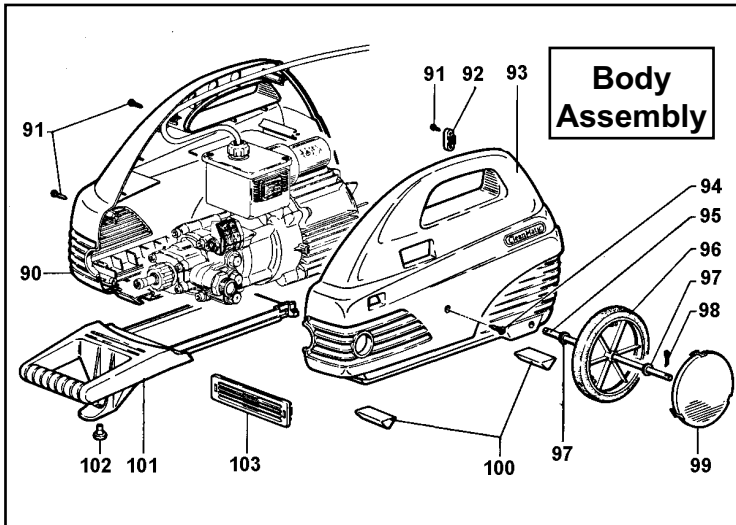


Version: 1  
 Date: 220702



### Motor & Pump assembly parts.



KITS	ITEM CONTENT	DESCRIPTION
KIT 132	50.	WATER OUTLET VALVE KIT
KIT 133	53, 54.	PLUG KIT
KIT 134	9, 10.	VALVE KIT
KIT 135	104, 105	LANCE KIT
KIT 146	12,13, 14, 15, 16.	WATER SEAL KIT
KIT 147	17.	OIL SEAL KIT
AK124-95	104, 105, 107	LANCE & DETERGENT BOTTLE

Item	PART NO	DESCRIPTION	PIECES
1	145-99191400	SCREW	12
2	145-56210251	WATER INLET CASING	1
3	145-90387700	GASKET	3
4	145-99314400	SCREW M8x50	4
5	145-56120022	CASING	1
6	145-90358100	O-RING	1
7	145-90381800	O-RING	1
8	145-54210970	VALVE SEAT	1
9	145-90358900	O-RING 12.42x2.62	6
10	145-36711601	VALVE	6
11	145-56210151	TAP	3
12	145-90382700	O-RING 11.91x2.62	3
13	145-90507300	O-RING	3
14	145-90359600	O-RING 18.77x1.78	3
15	145-90385700	O-RING 23.81x2.62	3
16	145-56080051	OIL CONTROL	3
17	145-90154200	BEARING	3
18	145-56210422	CASING	1
19	145-90391600	GASKET	2
20	145-94756400	SPRING	3
21	145-56040101	CONNECTING ROD	3
22	145-91834700	SPINDLE	1
23	145-99306800	SCREW	1
24	145-56210722	DEEP RING	1
25	145-91805000	BEARING	1
26	145-90161400	OIL SEAL 20x30x5	1
27	145-56010022	CASING	1
28	145-96691300	WASHER 5mm	1
29	145-99154200	SCREW	1
30	145-38210351	CASING	1
31	145-38212051	SWITCH BOX COVER	1
33	145-92976800	PRESS CABLE	1
34	145-90402600	O-RING 7.51x3.53	1
35	145-99131200	SCREW	2
36	145-93562800	CONDENSER	1
37	145-93504200	SWITCH 16A 240V	1
38	145-99154200	SCREW	2
39	145-38326102	MOTOR 230V 50Hz	1
40	145-38030051	FAN	1
41	145-38211801	CLIP	1
42	145-91804000	BEARING	1
43	145-38346002	ROTOR	1
44	145-90402800	WASHER	1

Item	PART NO	DESCRIPTION	PIECES
45	145-56210051	PLUG	1
46	145-36259001	DIAL - KR90	1
47	145-36257851	INDICATOR	1
48	145-36257751	COVER (GAUGE)	1
49	145-94871800	SPRING 18	1
50	KIT-132	WATER OUTLET VALVE KIT	1
51	145-90384700	O-RING 20.24x2.62	1
52	145-36322370	WATER OUTLET	1
53	145-98213500	PLUG	3
54	145-90359300	O-RING 15.60x1.78	3
55	145-56210351	ROD	2
56	145-90366200	BALL	1
57	145-90500400	ANTI-EXTRUSION RING-KR90	1
58	145-36258970	PLUNGER PISTON - KR90	1
59	145-94733800	SPRING M7.2x18	1
60	145-36258070	SCREW M14x1	1
61	145-92249200	NUT M14x1	1
62	145-92897300	INLET FILTER	1
63	145-90382800	O-RING 12.37x2.62	1
64	145-90359100	O-RING 14x1.78	1
65	145-36256951	INLET VALVE	1
66	145-92982800	RING NUT	1
79	145-93502700	SWITCH	1
80	145-41212684	SWITCH GASKET	1
81	145-38212451	SWITCH BOX CASE	1
90	145-56231451	CASING-LEFT	1
92	145-23009551	CABLE CLAMP	1
93	145-56230451	CASING-RIGHT	1
94	145-99147400	SCREW 4.8x13	2
95	145-56241064	AXLE FOR WHEELS	1
96	145-56241102	WHEEL	2
97	145-96701700	WASHER D 8.4x15x0.2	4
98	145-91708000	SPLIT PIN 2x15	2
99	145-56241551	WHEEL COVER	1
100	145-54200082	SPACER	4
101	145-56232051	LEVER HANDLE	1
102	145-98192400	PLUG 7mm	1
103	145-56233051	COVER	1
104	145-10052766	RETAINING CLIP	1
105	PC2301-LANCE	LANCE & NOZZLE ASSEMBLY	1
106	145-ZZMED25	25CM LANCE EXTENSION	1
107	145-AK124-95-B	DETERGENT BOTTLE	1