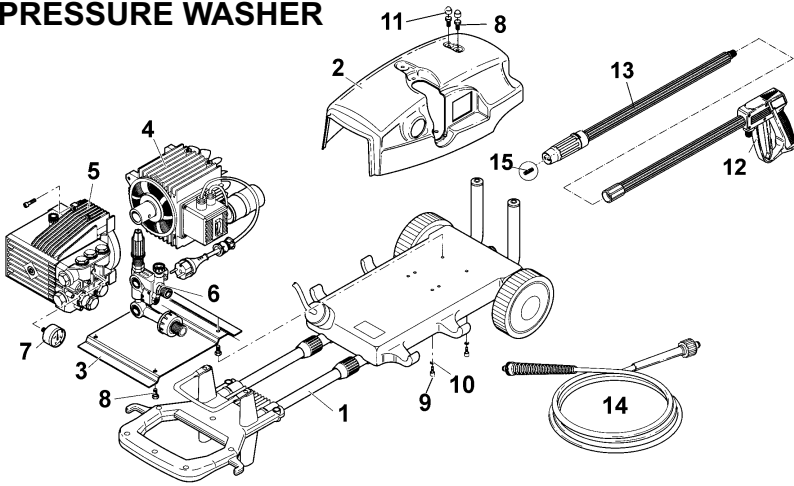
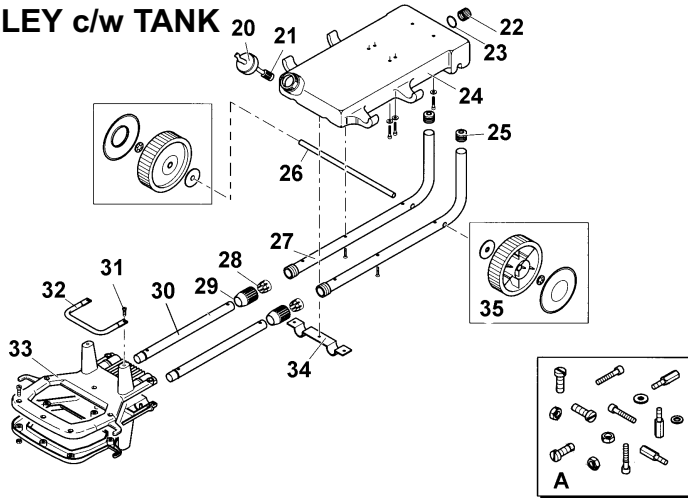


## 1. PRESSURE WASHER



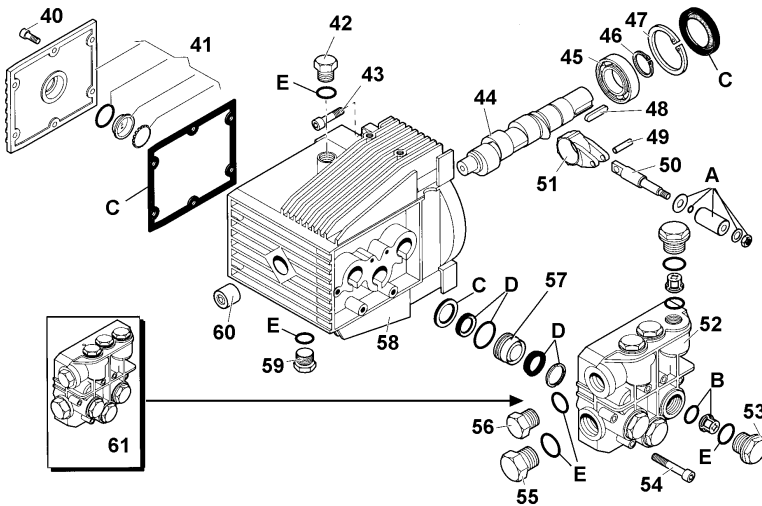
Item	Part No.	Description
1	181/1689203	Trolley c/w Tank
2	181/1270890	Housing
3	181/1343890	Plate
4	181/4249	Motor Asm. PC2275
4	181/4303	Motor Asm. PC2285
5	See Diagram 3	Pump Asm.
6	See Diagrams 5 & 6	Regulator & Fittings
7	181/3232	Pressure Gauge
8	181/1260470	Screw
9	181/480623	Screw
10	181/1680960	Washer
11	181/1270910	Cap
12	181/3732	Pistol Grip & Half Lance
13	181/3741	Half Lance & Nozzle
14	HOSE/8TP1/4	Hose
-	181/1461470	Hose Fitting, Inlet (not shown)
15	181/1122450	Nozzle PC2275
15	181/1122500	Nozzle PC2285

## 2. TROLLEY c/w TANK



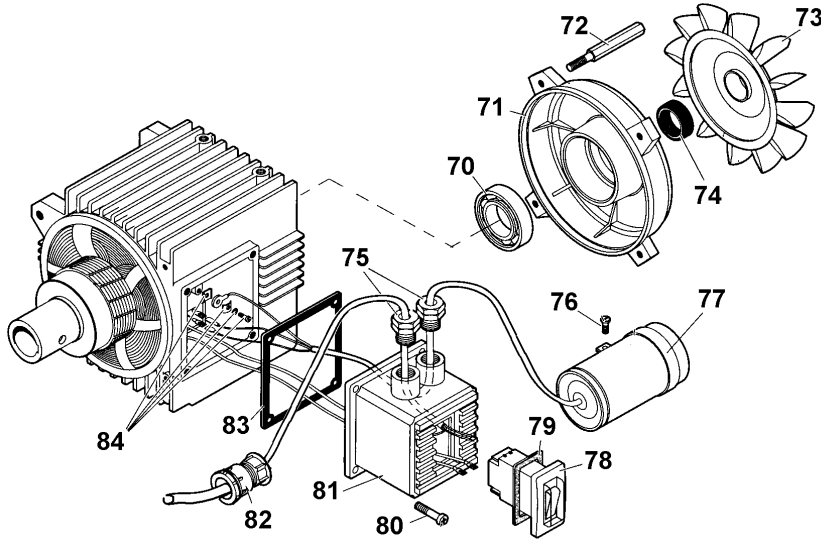
Item	Part No.	Description
A	181/2699	Fittings Kit
20	181/1680930	Plug
21	181/1341030	Filter
22	181/1681200	Plug
23	181/740290	O-Ring
24	181/1681340	Detergent Tank
25	181/1680950	Plug
26	181/1680830	Axle
27	181/1680820	Tube
28	181/1680920	Coupling
29	181/1680910	Ring Nut
30	181/1689040	Tube
31	181/1464610	Screw
32	181/1681320	Tube Retainer
33	181/1680810	Handle
34	181/1681330	Clamp
35	181/1689020	Wheel & Fittings

## 3. PUMP ASSEMBLY



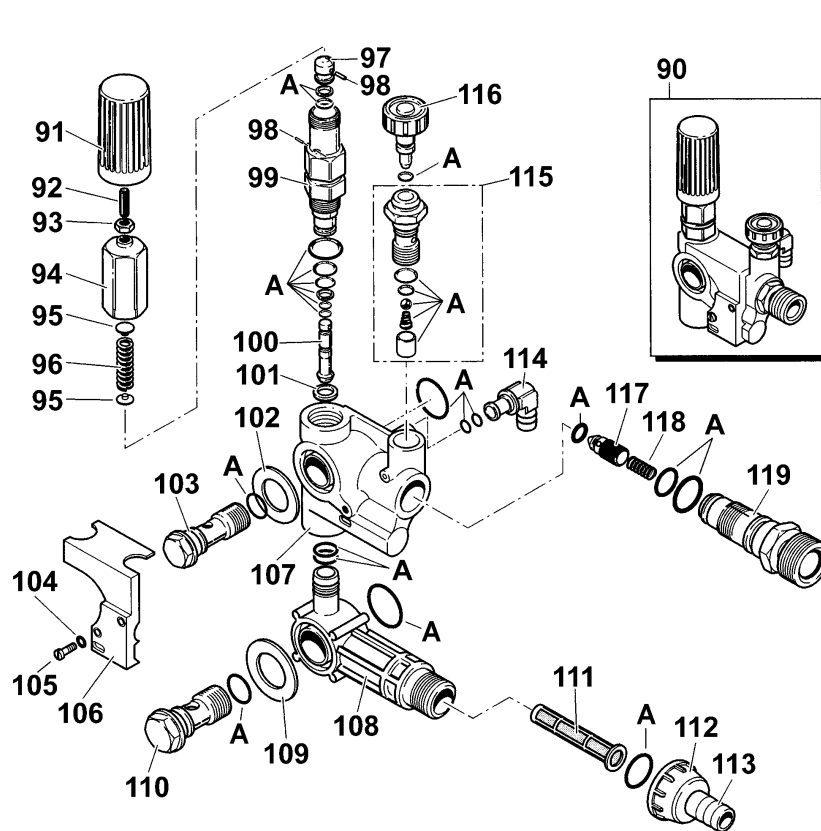
Item	Part No.	Description
A	181/2628	Piston Kit
B	181/1864	Valve Kit
C	181/1865	Oil Gasket Kit
D	181/1866	Gasket Kit
E	181/2040	O-Ring Kit
40	181/1260760	Screw
41	181/1269101	Cover Complete
42	181/880530	Plug
43	181/1260780	Screw
44	181/1260170	Crankshaft PC2275
44	181/1260180	Crankshaft PC2285
45	181/1320370	Bearing
46	181/1260770	Circlip
47	181/1260790	Circlip
48	181/1380520	Key
49	181/1260080	Piston Pin
50	181/1260070	Piston Rod
51	181/1260060	Con Rod
52	181/1320022	Pump Head
53	181/1260162	Plug
54	181/680570	Screw
55	181/820360	Plug
56	181/880530	Plug
57	181/1260151	Piston Guide
58	181/1260010	Pump Body
59	181/880530	Plug
60	181/1260050	Bush
61	181/1269227	Head Assembly

#### 4. MOTOR ASSEMBLY



Item	Part No.	Description
70	181/1260950	Bearing
71	181/1260960	End Cover
72	181/1260360	Stud
73	181/1260300	Fan
74	181/1260970	Seal
75	181/1269090	Cable Gland
76	181/1260810	Screw
77	181/1263520	Capacitor, 40µF PC2275
77	181/1266810	Capacitor, 50µF PC2285
78	181/1262180	Switch, 12A PC2275
78	181/1263110	Switch, 16A PC2285
79	181/1265080	Gasket
80	181/1261560	Screw
81	181/1260340	Terminal Box
82	181/1262370	Pipe Union
83	181/1260400	Gasket
84	181/1269100	Earth Terminal

#### 5. REGULATOR & FITTINGS



Item	Part No.	Description
A	181/2715	Repair Kit
90	181/1279225	Regulator Assembly
91	181/1322520	Knob
92	181/1980470	Grub Screw, M6 x 20
93	181/1980300	Nut, M6
94	181/1980390	Handle Insert
95	181/1980220	Spring Plate
96	181/1271070	Spring
97	181/1080041	Upper Piston
98	181/1080070	Pin
99	181/1980210	Piston Guide
100	181/1271160	Lower Piston
101	181/1080121	By-pass Seat
102	181/1260570	Washer
103	181/1540430	Screw
104	181/395370	Washer
105	181/395270	Screw, M3 x 8
106	181/1260531	Pressure Gauge Cap
107	181/1271640	Valve Housing
108	181/1260540	Inlet Fitting
109	181/1260560	Washer
110	181/1540260	Screw
111	181/1260660	Suction Filter
112	181/1200330	Ring Nut
113	181/550551	Hose Tail
114	181/1260670	Detergent Fitting
115	181/1269041	Injector Housing
116	181/1269010	Knob
117	181/1540170	Jet
118	181/1080091	Spring
119	181/1270090	Detergent Injector