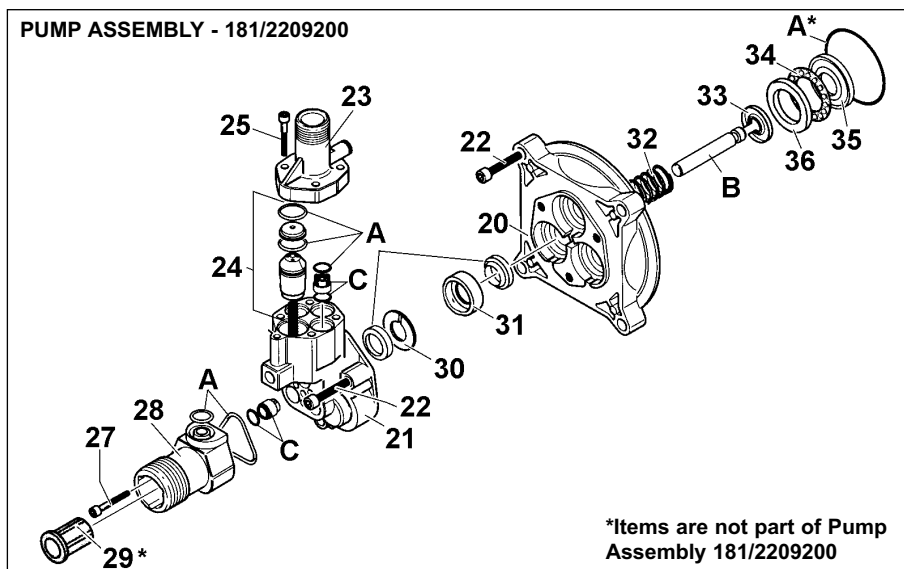


| Item | Part No. | Description |
|------|-------------|---------------------------------|
| 1 | 181/1680702 | Upper Casing |
| 2 | 181/1680710 | Lower Casing |
| 3 | 181/1680690 | Handle |
| 4 | 181/4283 | Motor Assembly |
| 5 | 181/2029200 | Pump Assembly |
| 6 | 181/1681290 | Screw |
| 7 | 181/1681280 | Screw |
| 8 | 181/1682360 | Plug |
| 9 | 181/1682320 | Plug |
| 10 | 181/2000420 | Hose |
| 11 | 181/3560 | Pistol Grip & Half Lance |
| 12 | 181/3772 | Half Lance & Rotary Nozzle |
| 14 | 181/3588 | Detergent Bottle |
| - | 181/1461470 | Hose Fitting, Inlet (not shown) |

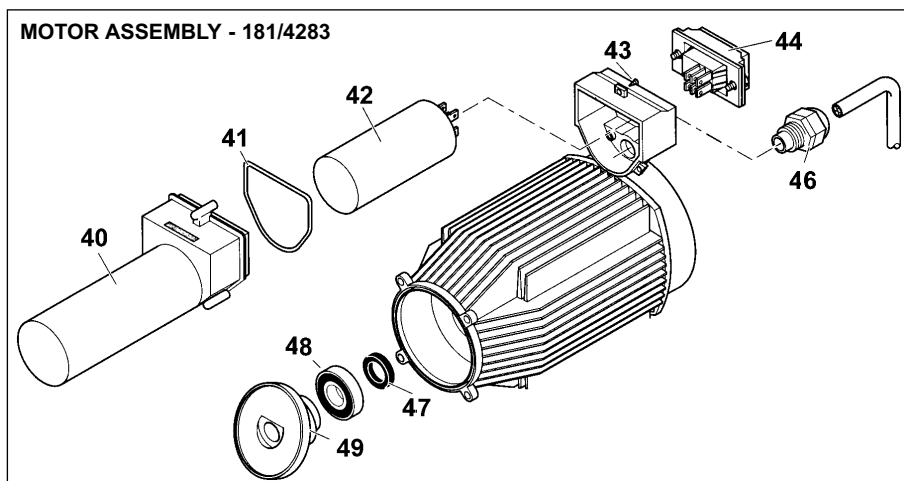
PUMP ASSEMBLY - 181/2209200



| Item | Part No. | Description |
|------|-------------|--------------------|
| A | 181/2855 | Gasket Kit |
| B | 181/2734 | Piston Kit |
| C | 181/2733 | Valve Kit |
| 20 | 181/2020120 | Pump Manifold Head |
| 21 | 181/2020020 | Pump Head |
| 22 | 181/2200210 | Screw |
| 23 | 181/2020080 | Output Fitting |
| 24 | 181/2209002 | Unloader Valve |
| 25 | 181/2200150 | Screw |
| 27 | 181/2200160 | Screw |
| 28 | 181/2020090 | Suction Fitting |
| 29 | 181/1340260 | Suction Filter |
| 30 | 181/2020040 | Shim |
| 31 | 181/2020050 | Bush |
| 32 | 181/2020150 | Spring |
| 33 | 181/2020140 | Piston Collet |
| 34 | 181/1461770 | Race |
| 35 | 181/1460070 | Thrust Washer |
| 36 | 181/1680340 | Bearing Race |

*Items are not part of Pump Assembly 181/2209200

MOTOR ASSEMBLY - 181/4283



| Item | Part No. | Description |
|------|-------------|-----------------|
| 40 | 181/1680480 | Casing |
| 41 | 181/850840 | O-Ring |
| 42 | 181/2200290 | Capacitor |
| 43 | 181/1261551 | Screw |
| 44 | 181/1682270 | Switch |
| 46 | 181/1682280 | Cable Gland |
| 47 | 181/840020 | Seal |
| 48 | 181/1682110 | Bearing |
| 49 | 181/1680170 | Eccentric Plate |

Original Date: 100100
 Issue Date: 050500
 Version No.: 2
 Date Modified: 050500