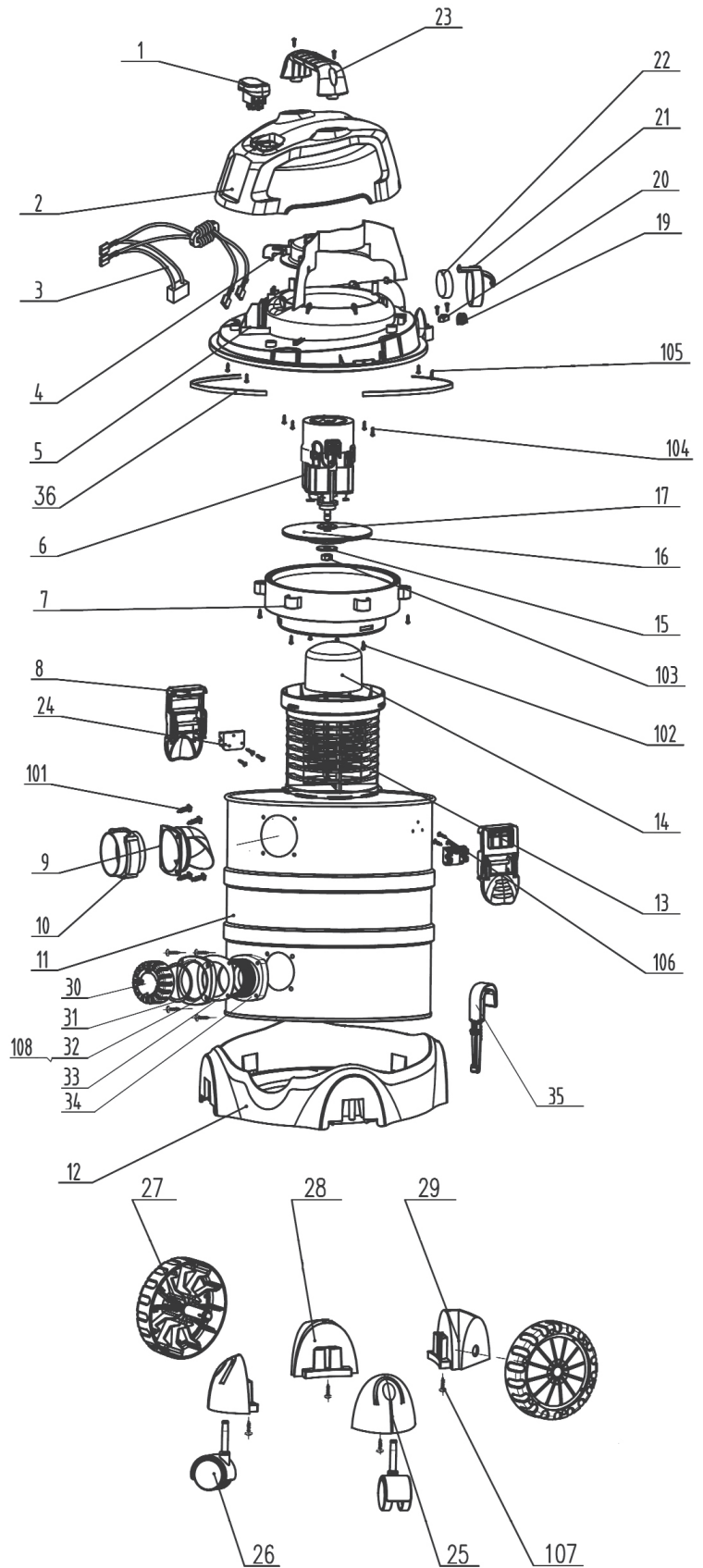




Parts Information:
Vacuum Cleaner Industrial Wet & Dry 20ltr
1250W/230V Stainless Drum
Model No: PC200SD.V3

Item	Part No.	Description
1	PC200SDV3-01	SWITCH
2	PC200SDV3-02	UPPER COVER
3	PC200SDV3-03	INDUCTANCE SET
4	PC200SDV3-04	AIR OUTLET
5	PC200SD.V3-05	LOWER COVER
6	PC200SDV3-06	MOTOR
7	PC200SDV3-07	TRAY
8	PC310.06	BIN CLIP </td
9	PC200SDV3-09	HOSE INLET BASE
10	PC200SD.V3-10	HOSE INLET
11	PC200SDV3-11	TANK
12	PC200SDV3-12	BASE
13	PC200SDV3-13	BASKET
14	PC200SDV3-14	FLOAT
15	PC200SDV3-15	BOARD
16	PC200SDV3-16	FAN SET
17	PC200SDV3-17	LIPPED WASHER
19	PC200SDV3-19	CORD SLEEVE
20	PC200SDV3-20	CORD CLAMP
21	PC200SDV3-21	FILTER COVER
22	PC200SDV3-22	FOAM FILTER
23	PC200SDV3-23	HANDLE
24	PC200SDV3-24	HOOK BASE
25,26	PC200SDV3-26	CASTOR & FOOT SUPPORT ASSY
27,28	PC200SDV3-28	WHEEL ASS'Y LEFT (No.2)
29	PC200SDV3-29	WHEEL ASS'Y RIGHT (No.1)
30	PC200SDV3-30	WATERSPOUT COVER
31	PC200SDV3-31	DRAIN INLET (SO)
32	PC200SDV3-32	WATERSPOUT SEAT
33	PC200SDV3-33	SEAL RING
34	PC200SD.V3-34	WATERSPOUT
35	PC200SDV3-35	CORD HOOK
36	PC200SDV3-36	FOAM RING
101	PC200SDV3.101	SCREW (ST3.9 x 14)
102	PC200SDV3.102	SCREW (ST3.9 x 16F)
103	NLN6.SB	NYLOC NUT M6 BLACK (SINGLE)
104	PC200SDV3.104	SCREW (ST4.2 x 12F)
105	PC200SDV3.105	SCREW (ST3.9 x 16F)
106	PC200SDV3.106	SCREW (ST3.5 x 8F)
107	PC200SDV3.107	SCREW (ST4.2 x 16F)
108	PC200SDV3.108	SCREW (ST4.2 x 14F)



NOTE: It is our policy to continually improve products and as such we reserve the right to alter data, specifications and component parts without prior notice.

IMPORTANT: No liability is accepted for incorrect use of product.

WARRANTY: Guarantee is 12 months from purchase date, proof of which will be required for any claim.

Sealey Group, Kempson Way, Suffolk Business Park, Bury St Edmunds, Suffolk. IP32 7AR



01284 757500



01284 703534

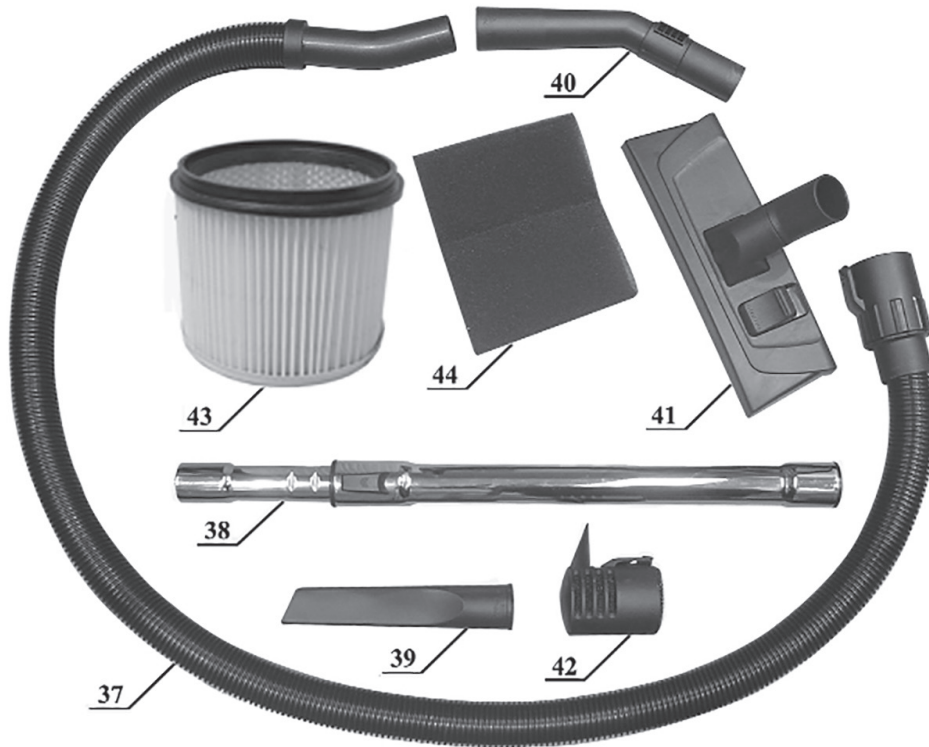


sales@sealey.co.uk



www.sealey.co.uk

Parts Information:
**Vacuum Cleaner Industrial Wet & Dry 20ltr
 1250W/230V Stainless Drum
 Model No: PC200SD.V3**



Item	Part No.	Description
37	PC200SD.V3-37	HOSE 1.5m
38	PC300SD.V3-53	TELESCOPIC STAINLESS TUBE
39	PC300SD.V3-54	CREVICE TOOL
40	PC310.A05	ELBOW TOOL (AIR FLOW REGULATOR)
41	PC300SD.V3-56	COMBO BRUSH
42	PC200SD.V3-42	NOISE DIFFUSER MUFFLER
43	PC200CFL	LOCKING CARTRIDGE FILTER FOR PC200 & PC300 SERIES

Item	Part No.	Description
--	PC200CFF	CARTRIDGE FILTER FOR FINE DUST FOR PC200 & PC300 SERIES (not shown)
44	PC200.14	FOAM FILTER (SINGLE)
--	PC200FF10	FOAM FILTER FOR PC200 & PC300 SERIES (PACK OF 10) (not shown)
--	PC200PB5	DUST COLLECTION BAG FOR PC200 SERIES (PACK OF 5) (not shown)

NOTE: It is our policy to continually improve products and as such we reserve the right to alter data, specifications and component parts without prior notice.

IMPORTANT: No liability is accepted for incorrect use of product.

WARRANTY: Guarantee is 12 months from purchase date, proof of which will be required for any claim.