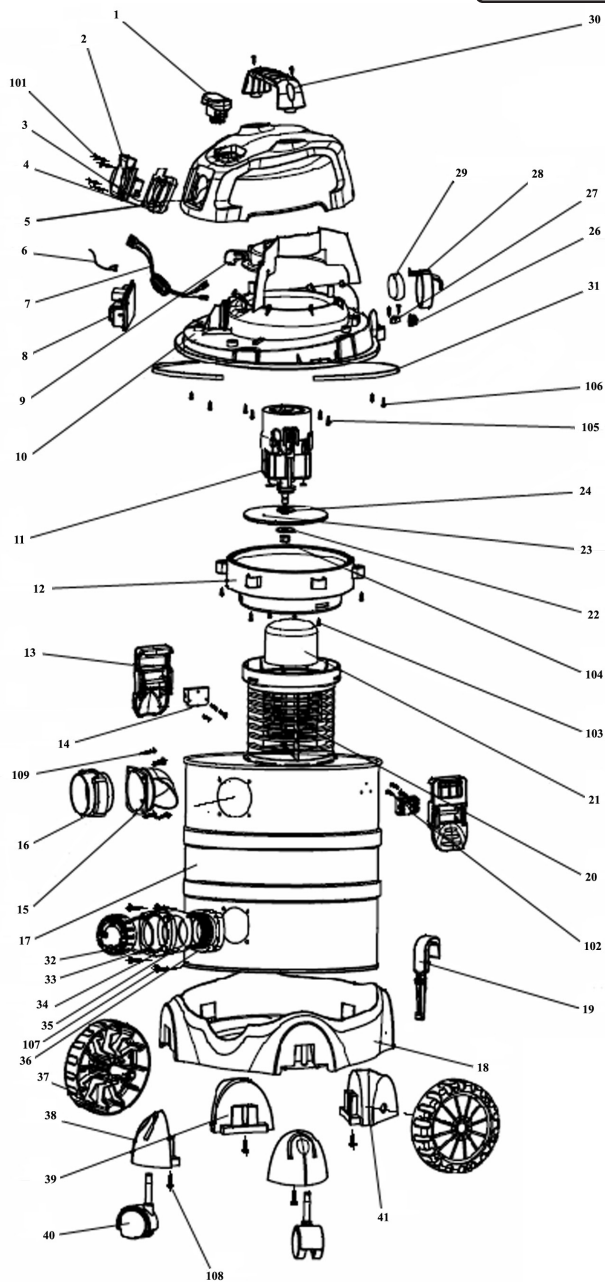




Parts Information:
Vacuum Cleaner Industrial 20ltr
1400W/230V Stainless Drum Auto Start
Model No: PC200SDAUTO.V3



NOTE: It is our policy to continually improve products and as such we reserve the right to alter data, specifications and component parts without prior notice.

IMPORTANT: No liability is accepted for incorrect use of product.

WARRANTY: Guarantee is 12 months from purchase date, proof of which will be required for any claim.

Sealey Group, Kempson Way, Suffolk Business Park, Bury St Edmunds, Suffolk. IP32 7AR



01284 757500



01284 703534



sales@sealey.co.uk



www.sealey.co.uk



Parts Information:
Vacuum Cleaner Industrial 20ltr
1400W/230V Stainless Drum Auto Start
Model No: PC200SDAUTO.V3

Item	Part No.	Description
1	PC200SDAV3.01	SWITCH
2	PC200SDAV3.02	SOCKET
3	PC200SDAV3.03	SEAL RING
4	PC200SDAV3.04	SQUARE PLASTIC FRAME
5	PC200SDAV3.05	UPPER COVER
6	PC200SDAV3.06	CORD
7	PC200SDAV3.07	INDUCTANCE SET
8	PC200SDAV3.08	PCB SET
9	PC200SD.V3-04	AIR OUTLET
10	PC200SD.V3-05	LOWER COVER
11	PC200SDAV3.11	MOTOR
12	PC200SD.V3-07	TRAY
13	PC310.06	BIN CLIP
14	PC200SD.V3-24	HOOK BASE
15	PC200SD.V3-09	HOSE INLET BASE
16	PC200SD.V3-10	HOSE INLET
17	PC200SD.V3-11	TANK
18	PC200SD.V3-12	BASE
19	PC200SD.V3-35	CORD HOOK
20	PC200SD.V3-13	BASKET
21	PC200SD.V3-14	FLOAT
22	PC200SD.V3-15	BOARD
23	PC200SD.V3-16	FAN SET
24	PC200SD.V3-17	LIPPED WASHER
26	PC200SD.V3-19	CORD SLEEVE
27	PC200SD.V3-20	CORD CLAMP
28	PC200SD.V3-21	FILTER COVER
29	PC200SD.V3-22	FOAM FILTER
30	PC200SD.V3-23	HANDLE
31	PC200SD.V3-36	FOAM RING
32	PC200SD.V3-30	WATERSPOUT COVER

Item	Part No.	Description
33	PC200SD.V3-31	DRAIN INLET
34	PC200SD.V3-32	WATERSPOUT SEAT
35	PC200SD.V3-33	SEAL RING
36	PC200SD.V3-34	WATERSPOUT
37	PC200SDAV3.37	WHEEL SET (X2)
38	PC200SD.V3-26	CASTOR & FOOT SUPPORT ASS'Y
39	PC200SD.V3-28	WHEEL ASS'Y LEFT (No.2)
40	PC200SD.V3-26	CASTOR & FOOT SUPPORT ASS'Y
41	PC200SD.V3-29	WHEEL ASS'Y RIGHT (No.1)
42	PC200SDAV3.42	HOSE 3M
43	PC200SDAV3.43	ADAPTOR
44	PC300SD.V3-53	TELESCOPIC STAINLESS TUBE
45	PC300SD.V3-54	CREVICE TOOL
46	PC310.A05	ELBOW TOOL (AIR FLOW REGULATOR)
47	PC300SD.V3-56	COMBO BRUSH
48	PC200SD.V3-42	NOISE DIFFUSER MUFFLER
49	PC200CFL	LOCKING CARTRIDGE FILTER
50	PC200FF10	FOAM FILTER
--	PC200.14	FOAM FILTER (SINGLE) (NOT SHOWN)
--	PC200PB5	DUST COLLECTION BAG (NOT SHOWN)
101	PC200SDAV3101	RD HEAD S/T SCREW M4X12
102	PC200SDV3.106	RD HEAD S/T SCREW M3.5 X 8
103	PC200SDV3.102	RD HEAD S/T SCREW M4X16
104	NLN6.SB	NYLOC NUT M6 BLACK (SINGLE)
105	PC200SDV3.104	RD HEAD S/T SCREW M4X12
106	PC200SDV3.105	RD HEAD S/T SCREW M4X16
107	PC200SDV3.101	RD HEAD S/T SCREW M3.9 X 14
108	PC200SDV3.107	RD HEAD S/T SCREW M4X12
109	PC200SDV3.101	RD HEAD S/T SCREW M3.9 X 14
--	PC200CFF	CARTRIDGE FILTER for FINE DUST (NOT SHOWN)

NOTE: It is our policy to continually improve products and as such we reserve the right to alter data, specifications and component parts without prior notice.

IMPORTANT: No liability is accepted for incorrect use of product.

WARRANTY: Guarantee is 12 months from purchase date, proof of which will be required for any claim.

Sealey Group, Kempson Way, Suffolk Business Park, Bury St Edmunds, Suffolk. IP32 7AR



01284 757500



01284 703534



sales@sealey.co.uk



www.sealey.co.uk