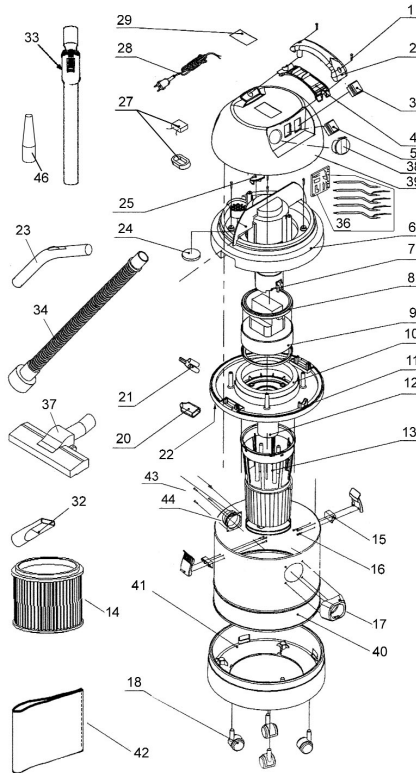




Parts Information:
Vacuum Cleaner Industrial 20ltr
1400W/230V Stainless Bin Auto Start
Model No: PC200SDAUTO.V2



Item	Part No.	Description
1	PC200.01	SCREW
2	PC200.02	UPPER HANDLE
3	PC200.03	SWITCH
4	PC200.04	LOWER HANDLE
5	PC200.03	SWITCH
6	PC200SDA.06	MIDDLE COVER FOR PC200SDAUTO
7	PC200.07	BAFFLE
8	PC200.08	SEALED RING
9	PC200.09	MOTOR
10	PC200.10	FOAM RING
11	PC200.11	LOWER COVER
12	PC200.12	WATERPROOF CUP
13	PC200.13	BASKET
14	PC200CF	CARTRIDGE FILTER
15	PC200SD.V3-24	HOOK BASE
16	PC200SD.16	SCREWS
17	PC200SD.17	HOSE BASE
18	PC200.18	WHEEL,CASTOR (D:37xW:27xH:44)
20	PC200.20	SOCKET
21	PC200.21	WIRE PLUG
22	PC200SDA.22	SEALING RING FOR LOWER COVER
23	PC310.A05	ELBOW TOOL (AIR FLOW REGULATOR)
24	PC200.24	FILTER

Item	Part No.	Description
25	PC200.25	CLIP
27	PC200.27	CAPACITOR 15uf 250x275v 2x0.5
28	MC3CX1.0	MAINS CABLE BLK, 3 CORE, 1.0MM2
29	PC200SD.29	LABEL
32	PC200.32	NARROW NOZZLE
33	PC300SD.V3-53	TELESCOPIC STAINLESS TUBE
34	PC200SD.34	SOFT OUTLET TUBE
36	PC200SDA.36	PCB SET
37	PC200SD.37	COMBO NOZZLE
38	PC200SD.38	SOCKET
39	PC200SD.39	UPPER COVER
40	PC200SD.18	TANK 20ltr
41	PC200SD.20	BASE
42	PC200FF10	FOAM FILTER
43	PC200SD.43	SCREW
44	PC200SD.22	HOSE BASE
--	PC200SD.45	CABLE SLEEVE (NOT SHOWN)
46	DFS/AK10	VACUUM/DUST-FREE TOOL ADAPTOR
--	PC310.06	BIN CLIP (NOT SHOWN)
--	PC200.14	FOAM FILTER (SINGLE) (NOT SHOWN)
--	PC200PB5	DUST COLLECTION BAG (NOT SHOWN)
--	VACHOSE5M	VACUUM HOSE 5mtr (NOT SHOWN)

NOTE: It is our policy to continually improve products and as such we reserve the right to alter data, specifications and component parts without prior notice.

IMPORTANT: No liability is accepted for incorrect use of product.

WARRANTY: Guarantee is 12 months from purchase date, proof of which will be required for any claim.

Sealey Group, Kempson Way, Suffolk Business Park, Bury St Edmunds, Suffolk. IP32 7AR



01284 757500



01284 703534



sales@sealey.co.uk



www.sealey.co.uk