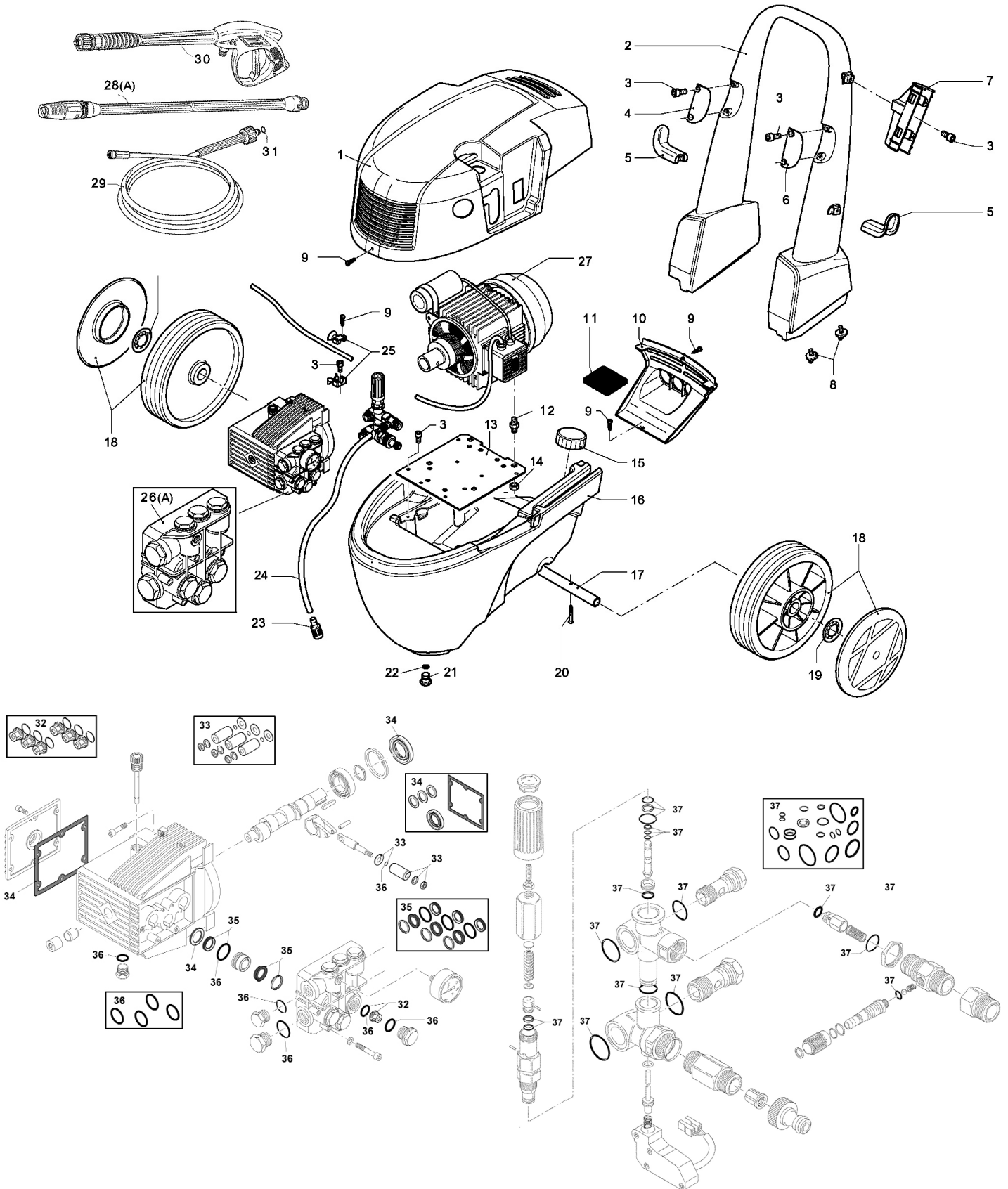


Parts Information:  
**Pressure Washer 2000psi with Trolley &  
 TSS 8ltr/min 230V  
 Model No: PC2003**



**NOTE:** It is our policy to continually improve products and as such we reserve the right to alter data, specifications and component parts without prior notice.

**IMPORTANT:** No liability is accepted for incorrect use of product.

**WARRANTY:** Guarantee is 12 months from purchase date, proof of which will be required for any claim.

Sealey Group, Kempson Way, Suffolk Business Park, Bury St Edmunds, Suffolk. IP32 7AR



01284 757500



01284 703534



sales@sealey.co.uk



www.sealey.co.uk



Parts Information:  
**Pressure Washer 2000psi with Trolley &  
TSS 8ltr/min 230V  
Model No: PC2003**

Item	Part No.	Description
1	181.2360135	Upper Casing
2	181.2360020	Handle
3	SCB510.SB	Socket Head Cap Screw M5x10 Black
4	181.2360300	SX Handle Plug
5	181.2360090	Hook
6	181.2360170	DX Handle Plug
7	181.2360100	Support
8	181.2360270	Handle Knob
9	181.2000110	Screw
10	181.2360040	Rear Casing
11	181.2360370	Gasket
12	181.2360240	Stud Bolt
13	181.2360050	Plate
14	SN8.S	Steel Nut M8 Zinc Din934 (Single)
15	181.1680930	Tank Plug
16	181.2360010	Trolley Base
17	181.2360070	Trolley Axle
18	181.1201290	Wheel And Cover
19	181.380620	Washer
20	181.1470220	Screw
21	181/1682420	Plug

Item	Part No.	Description
22	BS107	O-Ring 5.23x2.62
23	181.2000230	Detergent Suction Filter
24	181.1270960	Detergent Hose
25	181.2360110	Cable Clip
26A	181/1269253	Head, Brass (New Type)
27	181.4476	Electric Motor (Internal 230V 9.8A 2250W)
28A	181.40113	Head/Lance Blue Dot.
29	181.1271530	Hose(M22/14mm M-Gun End 12mm F) 8m Long
30	181.40925	Gun
31	181.2000570	O-Ring
32	181/KIT 1864	Valve Kit
33	181.2628	Piston Kit
34	181/KIT 1865	Oil Seal Kit
35	181/KIT 1866	Seal Kit
36	181/KIT 2040	O-Ring Kit
37	181.2812	O-Ring Kit
--	181.2029341	TSS Ass'y (Electronics Only) (NOT SHOWN)
--	181/3232	Pressure Gauge 3500psi, 40mm OD, Rear Fitting (NOT SHOWN)
--	181.21293	TSS Assembly (NOT SHOWN)
--	181.22073	TSS Assembly (NOT SHOWN)

**NOTE:** It is our policy to continually improve products and as such we reserve the right to alter data, specifications and component parts without prior notice.

**IMPORTANT:** No liability is accepted for incorrect use of product.

**WARRANTY:** Guarantee is 12 months from purchase date, proof of which will be required for any claim.

**Sealey Group**, Kempson Way, Suffolk Business Park, Bury St Edmunds, Suffolk. IP32 7AR



01284 757500



01284 703534



sales@sealey.co.uk



www.sealey.co.uk