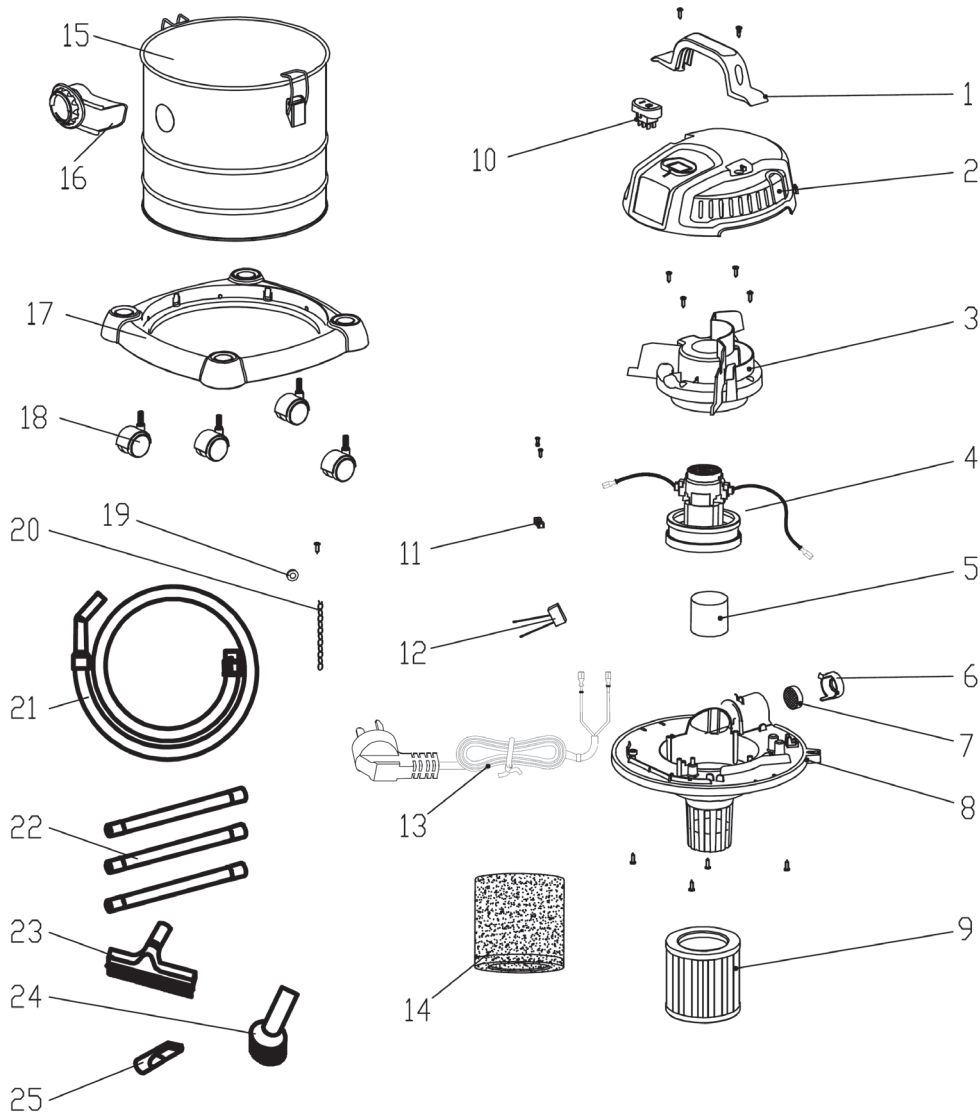


Parts Information:
Vacuum Cleaner Wet & Dry 20ltr 1200W
Stainless Drum
Model No: PC195SD.V2



Item	Part No.	Description
1	PC195SD.V2-01	Top Handle
2	PC195SD.V2-02	Top cover
3	PC195SD.V2-03	Motor cover
4	PC195SD.V2-04	Motor Assembly
5	PC195SD.V2-05	Safety Valve
6	PC195SD.V2-06	Air Output Cover
7	PC195SD.V2-07	Air Output Filter
8	PC195SD.V2-08	Lower Cover
9	PC195SDCFL	Locking Cartridge Filter for PC195SD
10	PC195SD.V2-10	Switch
11	PC195SD.V2-11	Pressing Block
12	PC195SD.V2-12	Capacitor
13	PC195SD.V2-13	Power Cord
14	PC195SDFF10	Foam Filter for PC195SD Pack of 10

Item	Part No.	Description
15	PC195SD.V2-15	Tank 20ltr (c/w Clips)
16	PC195SD.V2-16	Suction Assembly
17	PC195SD.V2-17	Base
18	PC195SD.V2-18	Castor Wheel
19	PC195SD.V2-19	Gasket
20	PC195SD.V2-20	Chain
21	PC195SD.V2-21	Hose Assembly
22	PC195SD.V2-22	Extension Tube
23	PC195SD.V2-23	Wet/Dry Floor Nozzle
24	PC195SD.V2-24	Small brush
25	PC195SD.V2-25	Crevice nozzle
--	PC200PB5	Dust Collection Bag (Pack of 5) - Optional - NOT SUPPLIED

NOTE: It is our policy to continually improve products and as such we reserve the right to alter data, specifications and component parts without prior notice.

IMPORTANT: No liability is accepted for incorrect use of product.

WARRANTY: Guarantee is 12 months from purchase date, proof of which will be required for any claim.