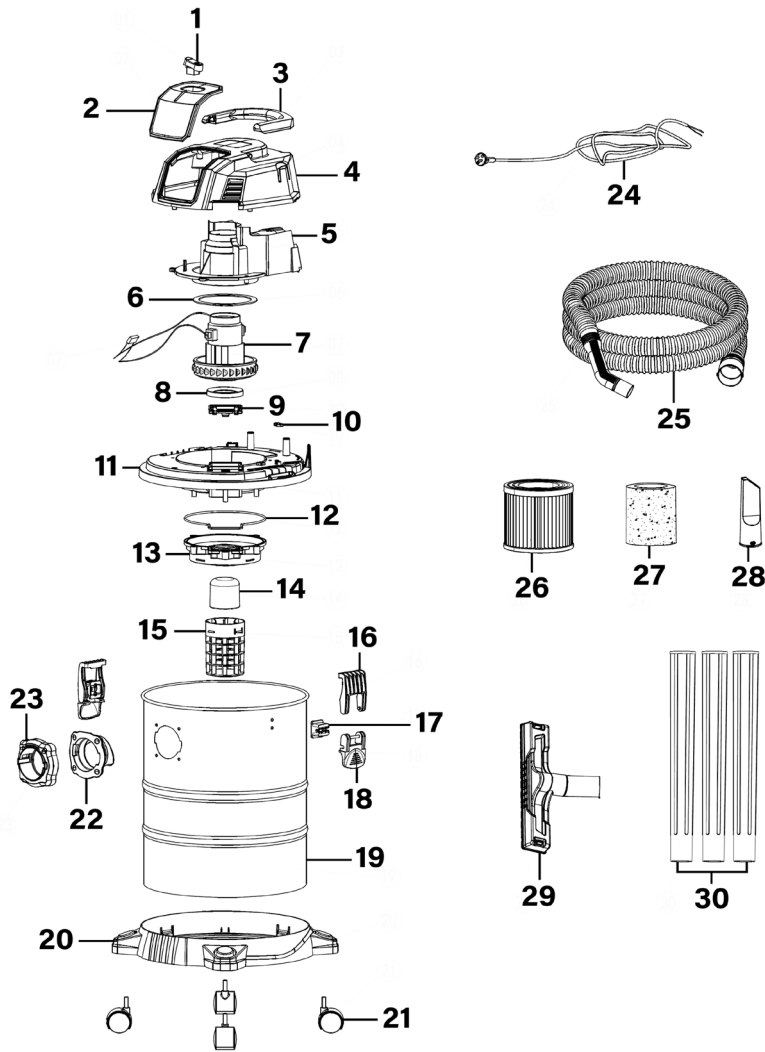




Parts Information:
Vacuum Cleaner Wet & Dry 20L
1200W/230V Stainless Drum
Model No: PC195SD.V3



Item	Part No.	Description	Qty
1	PC195SD-V3-01	Power Switch	1
2	PC195SD-V3-02	Front Cover	1
3	PC195SD-V3-03	Top Handle	1
4	PC195SD-V3-04	Top Cover	1
5	PC195SD-V3-05	Motor Cover	1
6	PC195SD-V3-06	Foam Seal Ring	1
7	PC195SD-V3-07	Motor Assembly	1
8	PC195SD-V3-08	Motor Sealing Ring	1
9	PC195SD-V3-09	Cover Plate	1
10	PC195SD-V3-10	Cord Grip	1
11	PC195SD-V3-11	Lower Cover	1
12	PC195SD-V3-12	Foam Seal for Safety Valve Base	1
13	PC195SD-V3-13	Base for Safety Valve	1
14	PC195SD-V3-14	Safety Valve	1
15	PC195SD-V3-15	Basket	1

Item	Part No.	Description	Qty
16	PC195SD-V3-16	Tank Clip (Upper)	2
17	PC195SD-V3-17	Tank Clip Base	2
18	PC195SD-V3-18	Tank Clip Lower	2
19	PC195SD-V3-19	Tank 20L	1
20	PC195SD-V3-20	Base	1
21	PC195SD-V3-21	Wheel, Swivel Castor	4
22	PC195SD-V3-22	Air Inlet Base	1
23	PC195SD-V3-23	Air Inlet	1
24	PC195SD-V3-24	Power Cord	1
25	PC195SD-V3-25	Hose Assembly 1.5m	1
26	PC195SDV3CF	Cartridge Filter	1
27	PC195SDFF10	Foam Filter for PC195SD Pack of 10	1
28	PC195SD-V3-28	Crevice Nozzle	1
29	PC195SD-V3-29	Wet/Dry Floor Nozzle	1
30	PC195SD-V3-30	Rigid Extension Tube Assembly	1

NOTE: It is our policy to continually improve products and as such we reserve the right to alter data, specifications and component parts without prior notice. There may be alternative versions of this product, please contact us should you require this information.

IMPORTANT: No liability is accepted for incorrect use of product. Spare parts must be fitted by a competent person

WARRANTY: Guarantee is 12 months from purchase date, proof of which will be required for any claim.

Sealey Group, Kempson Way, Suffolk Business Park, Bury St Edmunds, Suffolk. IP32 7AR



01284 757500



sales@sealey.co.uk



www.sealey.co.uk