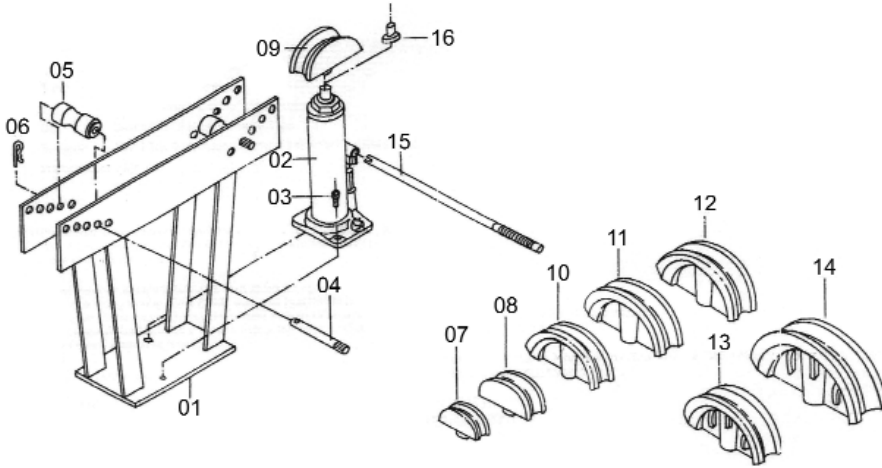


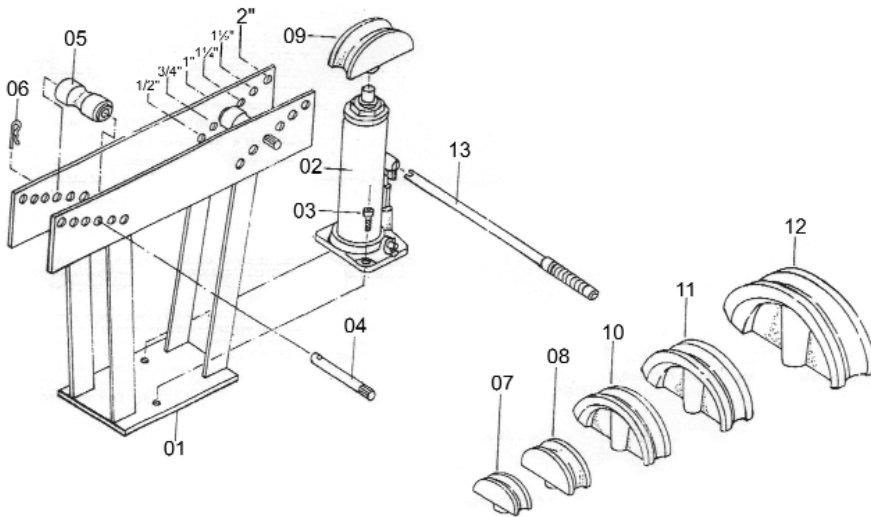
PBS95/15



Issue Date 2 160903

Item	Part No.	Description
1	PBS95/15-07	Frame
2	PBS95/15-08	15 ton bottle jack
3	PBS95/15-09	Hex bolt
4	PBS95/15-10	Roller shaft
5	PBS95/15-11	Roller
6	PBS95/15-12	Hitch pin
7	PBS95/15-01	1/2" bending die
8	PBS95/15-02	3/4" bending die
9	PBS95/15-03	1" bending die
10	PBS95/15-04	1 - 1/4" bending die
11	PBS95/15-05	1 - 1/2" bending die
12	PBS95/15-06	2" bending die
13	PBS95/15-13	2 - 1/2" bending die
14	PBS95/15-14	3" bending die
15	PBS95/15-15	Handle for jack
16	PBS95/15-16	Overhead
17	PBS95/15-RK	Repair kit, 15 ton Repair kit shown overleaf. Parts included are denoted by the * symbol

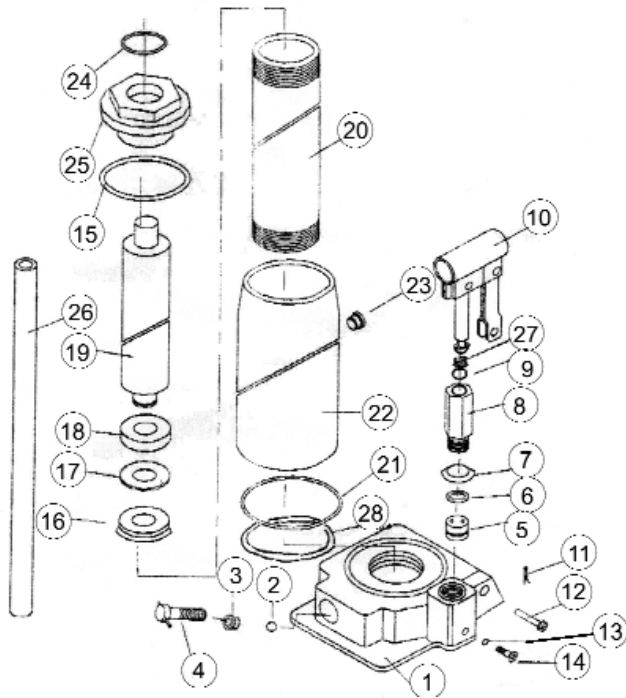
PBS95/12



Issue Date 2 160903

Item	Part No.	Description
1	PBS95/12-01	Frame
2	PBS95/12-02	12 ton bottle jack
3	PBS95/12-03	Hex bolt
4	PBS95/12-04	Roller shaft
5	PBS95/12-05	Roller
6	PBS95/12-06	Hitch pin
7	PBS95/12-07	1/2" bending die
8	PBS95/12-08	3/4" bending die
9	PBS95/12-09	1" bending die
10	PBS95/12-10	1 1/4" bending die
11	PBS95/12-11	1 1/2" bending die
12	PBS95/12-12	2" bending die
13	PBS95/12-13	Handle for jack
14	PBS95/12-RK	Repair kit, 12 Ton Repair kit shown overleaf. Parts included are denoted by the * symbol

PBS95/15-08



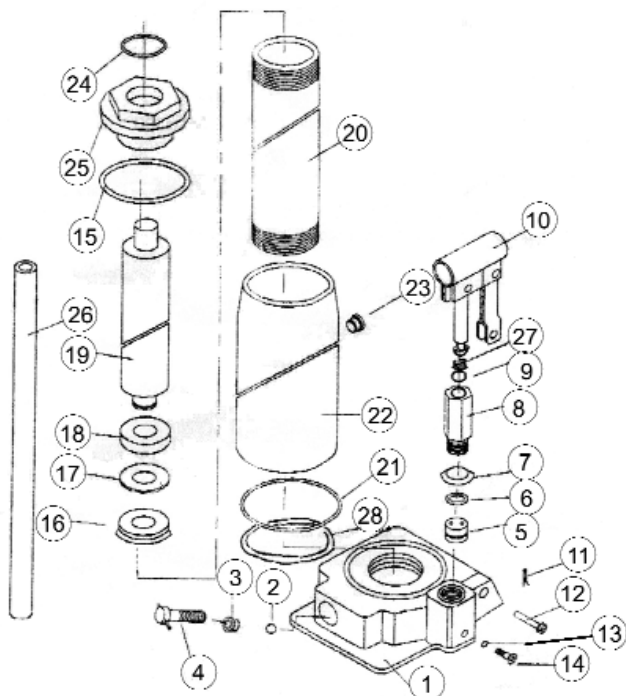
Issue
Date

1
160903

Item Description

- 1 Base
- 2 1/4 Steel ball
- 3 Oil seal for release valve*
- 4 Release valve spindle
- 5 Valve set
- 6 Pump cylinder oil seal*
- 7 Pump cylinder cup washer*
- 8 Pump cylinder
- 9 Pump o-ring & backup ring*
- 10 Handle socket assembly
- 11 Set pin
- 12 Link pin
- 13 O-ring*
- 14 Filler screw
- 15 Oil chamber washer top*
- 16 Cup ring
- 17 Backup ring*
- 18 Collar ram
- 19 Ram
- 20 Cylinder
- 21 Oil chamber washer (bottom)*
- 22 Oil chamber
- 23 Oil plug*
- 24 Ram sealing o-ring*
- 25 Top nut
- 26 Handle
- 27 U-ping*
- 28 Cylinder washer*

PBS95/12-02



Issue
Date

1
160903

Item Part No. Description

- 1 Base
- 2 1/4 steel ball
- 3 Oil seal for release valve*
- 4 Release valve spindle
- 5 Vale set
- 6 Pump cylinder oil seal*
- 7 Pump cylinder cup washer*
- 8 Pump cylinder
- 9 Pump o-ring & backup ring*
- 10 Handle socket assembly
- 11 Set pin
- 12 Link pin
- 13 O-ring*
- 14 Filler screw
- 15 Oil chamber washer top*
- 16 Cup ring
- 17 Back up ring*
- 18 Collar ram
- 19 Ram
- 20 Cylinder
- 21 Oil chamber washer (bottom)*
- 22 Oil chamber
- 23 Oil plug*
- 24 Ram sealing o-ring*
- 25 Top nut
- 26 Handle
- 27 U-ping*
- 28 Cylinder washer*



Sole UK Distributor,
Sealey Group, Bury St. Edmunds, Suffolk.

01284 757500

01284 703534

e-mail sales@sealey.co.uk

www.sealey.co.uk