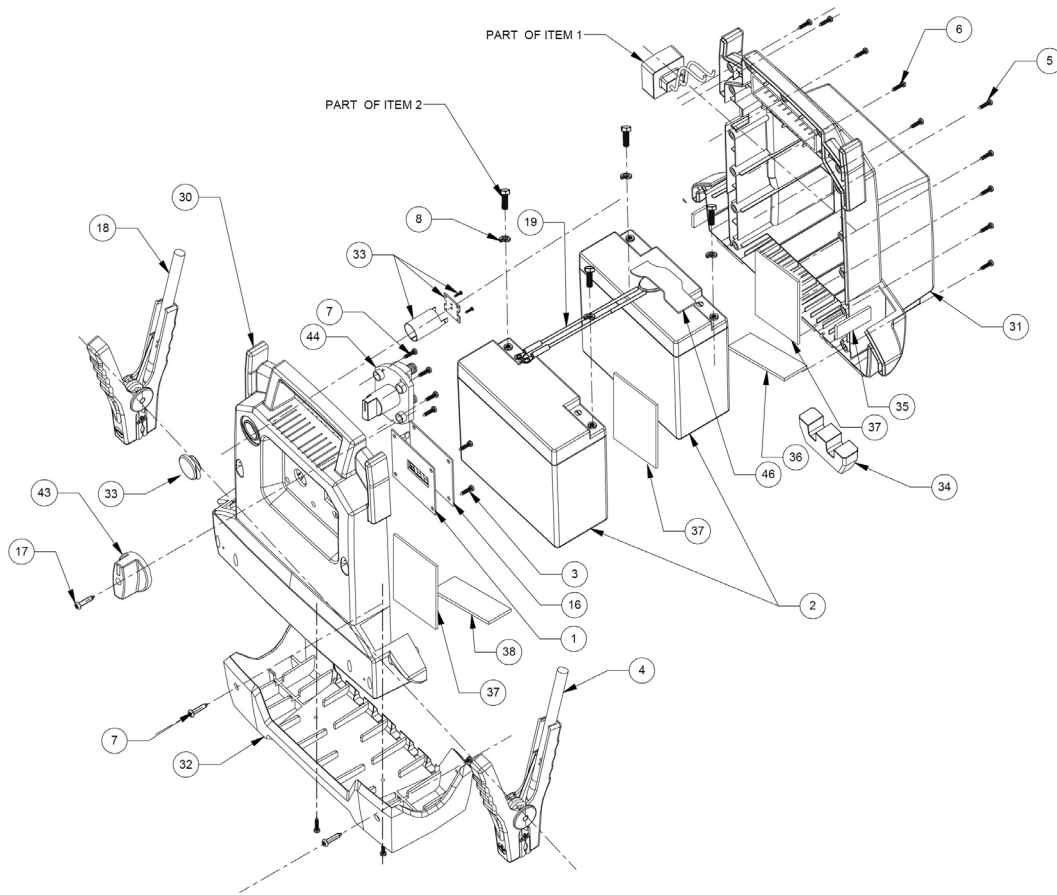




Parts Information:
RoadStart® Emergency Power Pack 24V
3800 Peak Amps DEKRA Approved
Model No: PBI3624S



Item	Part No.	Description
1	RS21203.22	CONTROL BOARD WITH FAN
2	RS21224.20	BATTERY 16AH 12V
3	PBI4424S.03	SCREW (M3.5x6) 'PHILLIPS'
4	RS21224.03	NEGATIVE (BLACK) CABLE & CLAMP
5	PBI4424S.06	SCREW (M4x25)
6	PBI4424S.07	SCREW (M4x16)
7	PBI4424S.08	SCREW (M3.5x12)
8	PBI4424S.09	SPRING WASHER
--	PBI3624S.13	LABEL FACEPLATE 'SEALEY' (NOT SHOWN)
--	PBI3624S.14	LABEL LOGO 'SEALEY' (NOT SHOWN)
16	PBI4424S.17	INSULATOR
17	PBI4424S.18	SCREW (M3x12)
18	PBI4424S.04	POSITIVE (RED) CABLE & CLAMP
19	PBI3624S.19	JUMPER KIT
30	RS21224.12	FRONT PANEL
31	RS21224.13	BACK COVER
32	RS21224.14	BUMPER BASE
33	RS21224.21	DC ADAPTOR ASS'Y
34	RS21224.16	RUBBER BUMPER

Item	Part No.	Description
35	RS21224.17	TAPE (97x25x5mm)
36	PBI4424S.44	TAPE (120x75x2)
37	RS21224.18	TAPE (120x120x2mm)
38	PBI4424S.46	TAPE (120x30x2)
43	RS21224.06	SWITCH KNOB
44	RS21224.01	SWITCH 12/24V
46	PBI4424S.50	TAPE (63x19x1.5)
--	PBI.C	CHARGER FOR PBI MODELS (2A 12V) (NOT SHOWN)
--	PBI4424S.51	FUSE HOLDER (NOT SHOWN)
--	PBI4424S.52	BATTERY CLAMP REBUILD KIT (NOT SHOWN)
--	PBI4424S.53	ASS'Y VARISTOR KIT (NOT SHOWN)
--	PBI4424S.54	3 PIN KOMEX PLUG (NOT SHOWN)
--	PBI3624S.51	BATTERY CABLE (NOT SHOWN)
--	RS21224.07	FUSE AMG HEAVY DUTY 500AH (NOT SHOWN)
--	PBI3624S.L2	WIRING, LABEL (PBI3624S) (NOT SHOWN)
--	PBI3624S.L3	LABEL DEKRA (PBI3624S) (NOT SHOWN)
--	PBI4424S.59	PLASTIC FUSIBLE LINK COVER (NOT SHOWN)

NOTE: It is our policy to continually improve products and as such we reserve the right to alter data, specifications and component parts without prior notice.

IMPORTANT: No liability is accepted for incorrect use of product.

WARRANTY: Guarantee is 12 months from purchase date, proof of which will be required for any claim.

Sealey Group, Kempson Way, Suffolk Business Park, Bury St Edmunds, Suffolk. IP32 7AR



01284 757500



01284 703534



sales@sealey.co.uk



www.sealey.co.uk