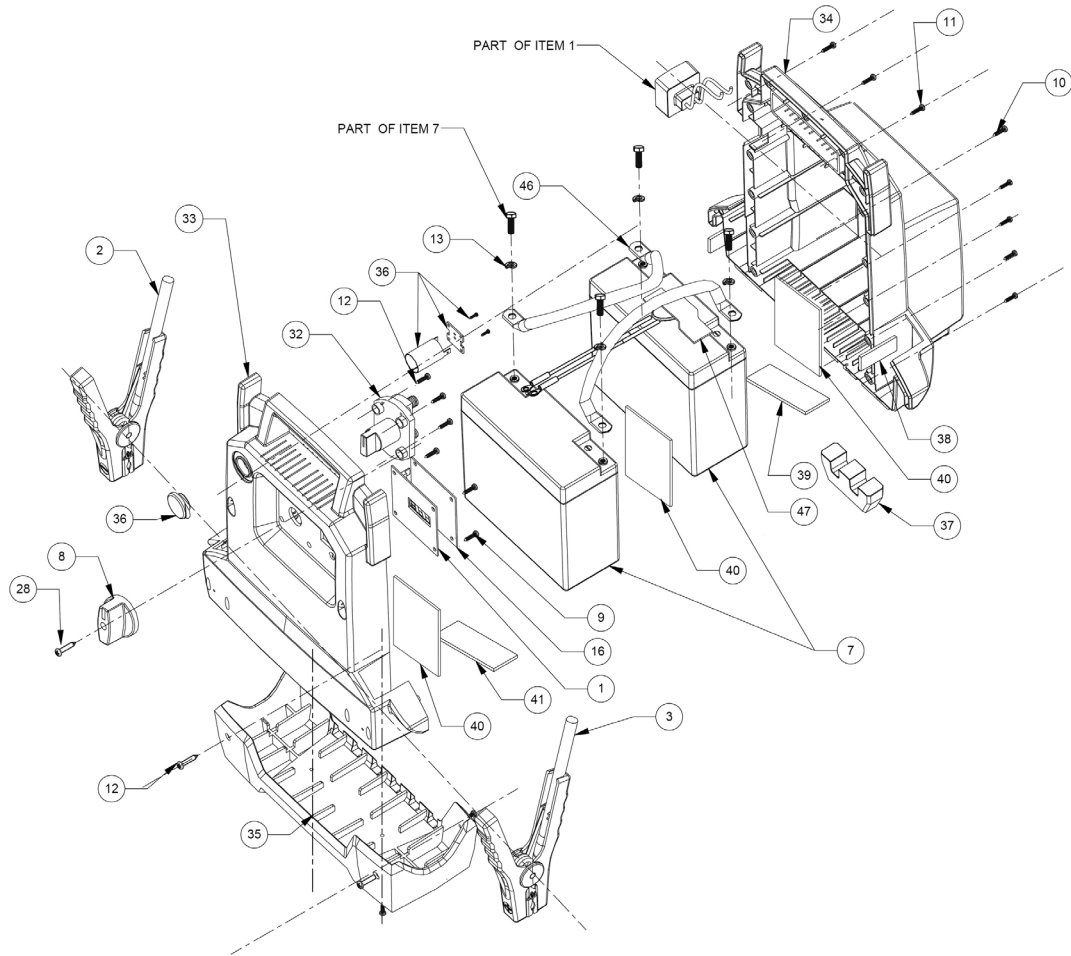




Parts Information:
RoadStart® Emergency Power Pack 12V
4400 Peak Amps DEKRA Approved
Model No: PBI3612S



Item	Part No.	Description
1	PBI3612S.01	CONTROL BOARD WITH FAN
2	PBI3612S.02	POSITIVE (RED) CABLE & CLAMP
3	RS21224.03	NEGATIVE (BLACK) CABLE & CLAMP
--	PBI4424S.52	BATTERY CLAMP REBUILD KIT (NOT SHOWN)
--	PBI3612S.05	LABEL, FACEPLATE (NOT SHOWN)
--	PBI4424S.53	ASS'Y VARISTOR KIT (NOT SHOWN)
7	RS21224.20	BATTERY 16AH 12V
8	RS21203.06	SWITCH KNOB
9	PBI4424S.03	SCREW (M3.5x6) 'PHILLIPS'
10	PBI4424S.06	SCREW (M4x25)
11	PBI4424S.07	SCREW (M4x16)
12	PBI4424S.08	SCREW (M3.5x12)
13	PBI4424S.09	SPRING WASHER
--	PBI4424S.54	3 PIN KOMEX PLUG (NOT SHOWN)
--	PBI3624S.51	BATTERY CABLE (NOT SHOWN)
16	PBI4424S.17	INSULATOR
28	RS21224.07	FUSE AMG HEAVY DUTY 500AH
--	PBI4424S.18	SCREW (M3x12) (NOT SHOWN)

Item	Part No.	Description
32	PBI1812S.14	SWITCH ON/OFF
33	RS21224.12	FRONT PANEL
34	RS21224.13	BACK COVER
35	RS21224.14	BUMPER BASE
36	RS21224.21	DC ADAPTOR ASS'Y
37	RS21224.16	RUBBER BUMPER
38	RS21224.17	TAPE (97x25x5mm)
39	PBI4424S.44	TAPE (120x75x2)
40	RS21224.18	TAPE (120x120x2mm)
41	PBI4424S.46	TAPE (120x30x2)
46	RS21224.10	BATTERY CABLE 4.5" (BLK)
47	PBI4424S.50	TAPE (63x19x1.5)
--	PBI3612S.L	LABEL LOGO (PBI3612S) (NOT SHOWN)
--	PBI3612S.L2	WIRING, LABEL (PBI3612S) (NOT SHOWN)
--	PBI3612S.L3	LABEL DEKRA (PBI3612S) (NOT SHOWN)
--	PBI.C	CHARGER FOR PBI MODELS (2A 12V) (NOT SHOWN)
--	PBI4424S.59	PLASTIC FUSIBLE LINK COVER (NOT SHOWN)

NOTE: It is our policy to continually improve products and as such we reserve the right to alter data, specifications and component parts without prior notice.

IMPORTANT: No liability is accepted for incorrect use of product.

WARRANTY: Guarantee is 12 months from purchase date, proof of which will be required for any claim.

Sealey Group, Kempson Way, Suffolk Business Park, Bury St Edmunds, Suffolk. IP32 7AR



01284 757500



01284 703534



sales@sealey.co.uk



www.sealey.co.uk