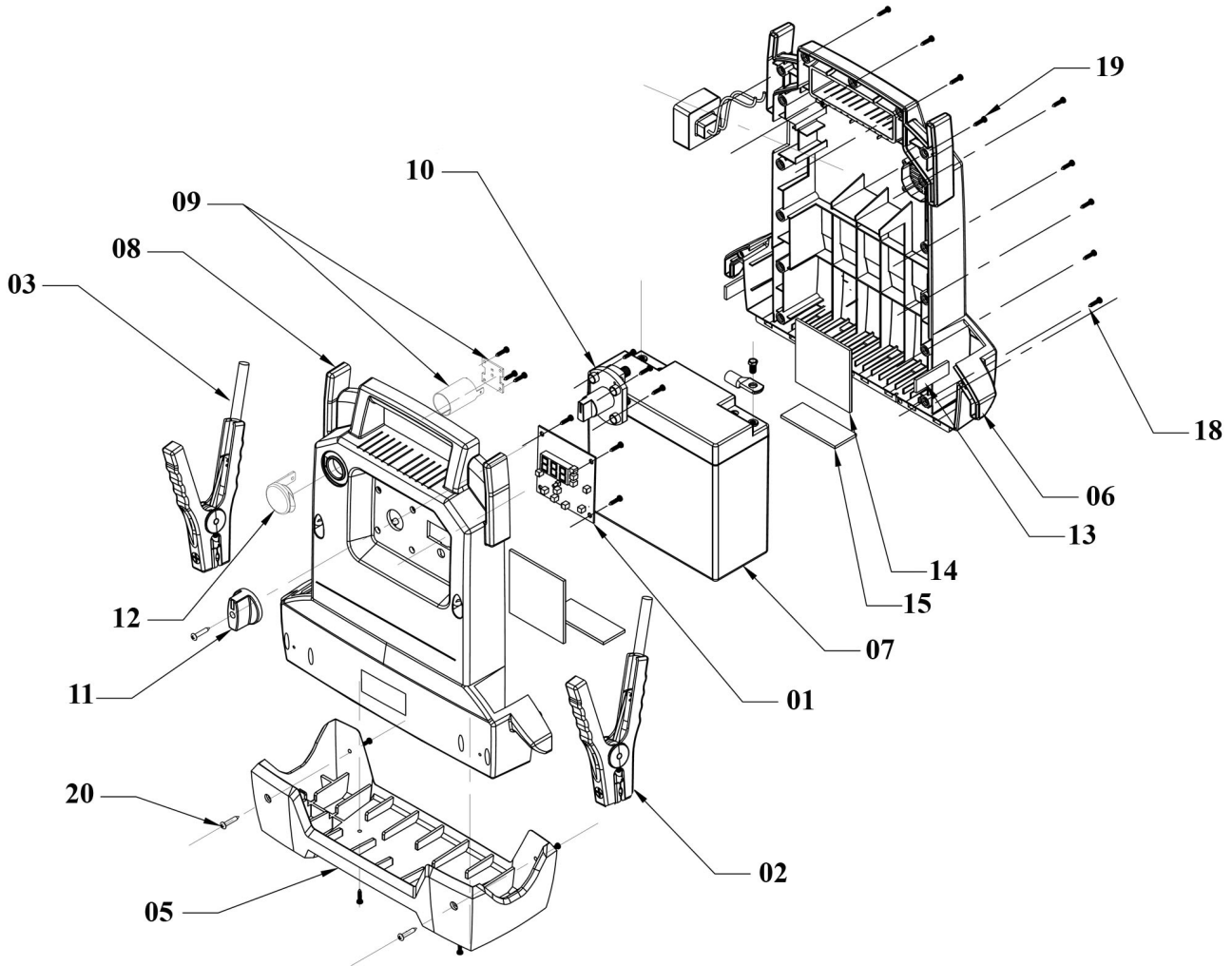




Parts Information:  
**RoadStart® Emergency Jump Starter 12V**  
**1900 Peak Amps DEKRA Approved**  
**Model No: PBI2212S**



Item	Part No.	Description
1	PBI2212.01	CONTROL BOARD ASS'Y
2	PBI2212.02	NEGATIVE (BLACK) CABLE & CLAMP
3	PBI2212.03	POSITIVE (RED) CABLE & CLAMP
4	PBI2212.04	FUSE (HEAVY DUTY) 300AH AMG
5	PBI2212.05	BUMPER BASE
6	PBI2212.06	BACK COVER (BLACK)
7	RS21224.20	BATTERY 16AH 12V
8	RS21224.12	FRONT PANEL
9	RS21224.21	DC ADAPTOR ASS'Y
10	PBI1812S.14	SWITCH ON/OFF
11	PBI2212.11	SWITCH KNOB

Item	Part No.	Description
12	PBI2212.12	RUBBER COVER FOR DC SOCKET
13	RS21224.17	TAPE (97x25x5mm)
14	RS21224.18	TAPE (120x120x2mm)
15	PBI4424S.46	TAPE (120x30x2)
16	PBI2212S.16	LABEL, FACEPLATE 'SEALEY' (0-12V)
17	PBI2212S.L	PRODUCT NUMBER LABEL (PBI2212S)
18	PBI2212S.L2	WARNING LABEL (PBI2212S)
19	PBI2212S.L3	LABEL DEKRA (PBI2212S)
20	PBI.C	CHARGER FOR PBI MODELS (2A 12V)
--	PBI4424S.59	PLASTIC FUSIBLE LINK COVER (NOT SHOWN)

**NOTE:** It is our policy to continually improve products and as such we reserve the right to alter data, specifications and component parts without prior notice.

**IMPORTANT:** No liability is accepted for incorrect use of product.

**WARRANTY:** Guarantee is 12 months from purchase date, proof of which will be required for any claim.

Sealey Group, Kempson Way, Suffolk Business Park, Bury St Edmunds, Suffolk. IP32 7AR



01284 757500



01284 703534



sales@sealey.co.uk



www.sealey.co.uk