

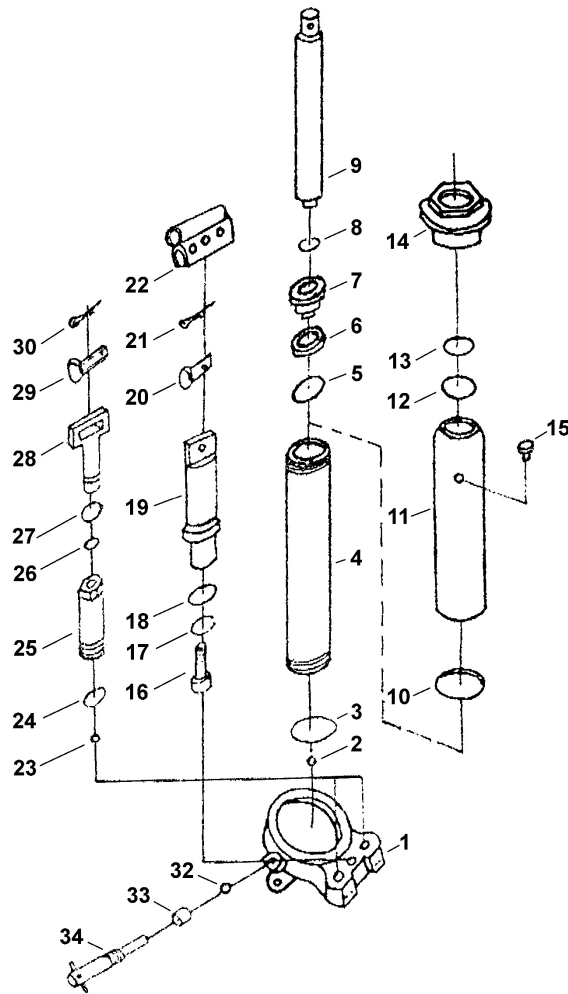
Item	Part No.	Description
1	NC20-01	Hook Assembly
2	HHB1275.S	Hex Head Bolt M12x75mm Single
3	SN12.S	Steel Nut M12 Zinc Din934(Single)
4	NC20-04	Flat Washer 12D
5	NC20-05	Bolt M16x110
6	NC20-06	Boom Extension
7	NC20-07	Bolt M14x100 (Black)
8	NC20-08	Boom
9	NC20-09	Chain
10	NC20-10	R-Clip
11	NC20-11	Bolt M16x80
12	NC20-12	Flat Washer 16D
13	SN16.SB	Steel Nut M16 Black (Single)
14	NC20-14	Main Support Post
15	HHB16120.S	Hex Head Bolt M16x120mm Single
16	NC20-16	Bolt M16x110
17	NC20-17	Support Strap
18	NC10.V2-25	Jack Handle
19	NC20-19	Hydraulic Ram Jack
--	NC20.RK	Repair Kit (Hydraulic Ram Unit) (NOT SHOWN)

Item	Part No.	Description
20	HHB1675.S	Hex Head Bolt M16x75mm Single
21	NC20-21	Frame Base
22	SN8.S	Steel Nut M8 Zinc Din934 (Single)
23	SWM8.S	Spring Washer M8 Zinc (Single)
24	PH20.V4-21	Wheel, Large Castor (88x8x30x117)
25	SS812.S	Hex Head Set Screw M8x12mm Single
26	NC20-26	Frame Pin
27	NC20-27	Hair Pin
--	NC20-27A	Lock Washer D12 (NOT SHOWN)
28	NC20-28	Wheel, Castor (75x9x29x106)
29	SS812.S	Hex Head Set Screw M8x12mm Single
30	NC20-30	Leg
31	NC10.V2-30	Handle Grip
--	NC20-32	Washer D14 (NOT SHOWN)
--	SN14.S	Steel Nut M14 Zinc Din934(Single) (NOT SHOWN)
--	NC20-34	Rubber Pad (NOT SHOWN)
--	NC20-35	Screw (M8x16) (NOT SHOWN)
--	NC20-36	Aluminium Plate (NOT SHOWN)
--	NC20-37	Rivet (NOT SHOWN)

NOTE: It is our policy to continually improve products and as such we reserve the right to alter data, specifications and component parts without prior notice.

IMPORTANT: No liability is accepted for incorrect use of product.

WARRANTY: Guarantee is 12 months from purchase date, proof of which will be required for any claim.



Item	Part No.	Description
1	NC20-19-01	Ram Base
2	NC20-19-02	Copper Ball
3	NC20-19-03	Washer
4	NC20-19-04	Cylinder
5	NC20-19-05	O-Ring
6	NC20-19-06	Ram Seal Washer
7	NC20-19-07	Piston Head
8	NC20-19-08	Spring Washer
9	NC20-19-09	Ram
10	NC20-19-10	Seal Ring
11	NC20-19-11	Oil Tank
12	NC20-19-12	Sealing Gasket
13	NC20-19-13	O-Ring
14	NC20-19-14	Tank Nut
15	NC20-19-15	Oil Plug
16	NC20-19-16	Screw
17	NC20-19-17	Spring Washer

Item	Part No.	Description
18	NC20-19-18	Washer
19	NC20-19-19	Stand
20	NC20-19-20	Pin
21	NC20-19-21	Cotter Pin
22	NC20-19-22	Handle Socket
23	NC20-19-23	Steel Ball
24	NC20-19-24	Washer
25	NC20-19-25	Pump Cylinder
26	NC20-19-26	O-Ring
27	NC20-19-27	Back Up Ring
28	NC20-19-28	Plunger
29	NC20-19-29	Plunger Pin
30	NC20-19-30	Cotter Pin
32	NC20-19-32	Steel Ball
33	NC20-19-33	Seal Ring
34	NC20-19-34	Valve Release Screw

NOTE: It is our policy to continually improve products and as such we reserve the right to alter data, specifications and component parts without prior notice.

IMPORTANT: No liability is accepted for incorrect use of product.

WARRANTY: Guarantee is 12 months from purchase date, proof of which will be required for any claim.