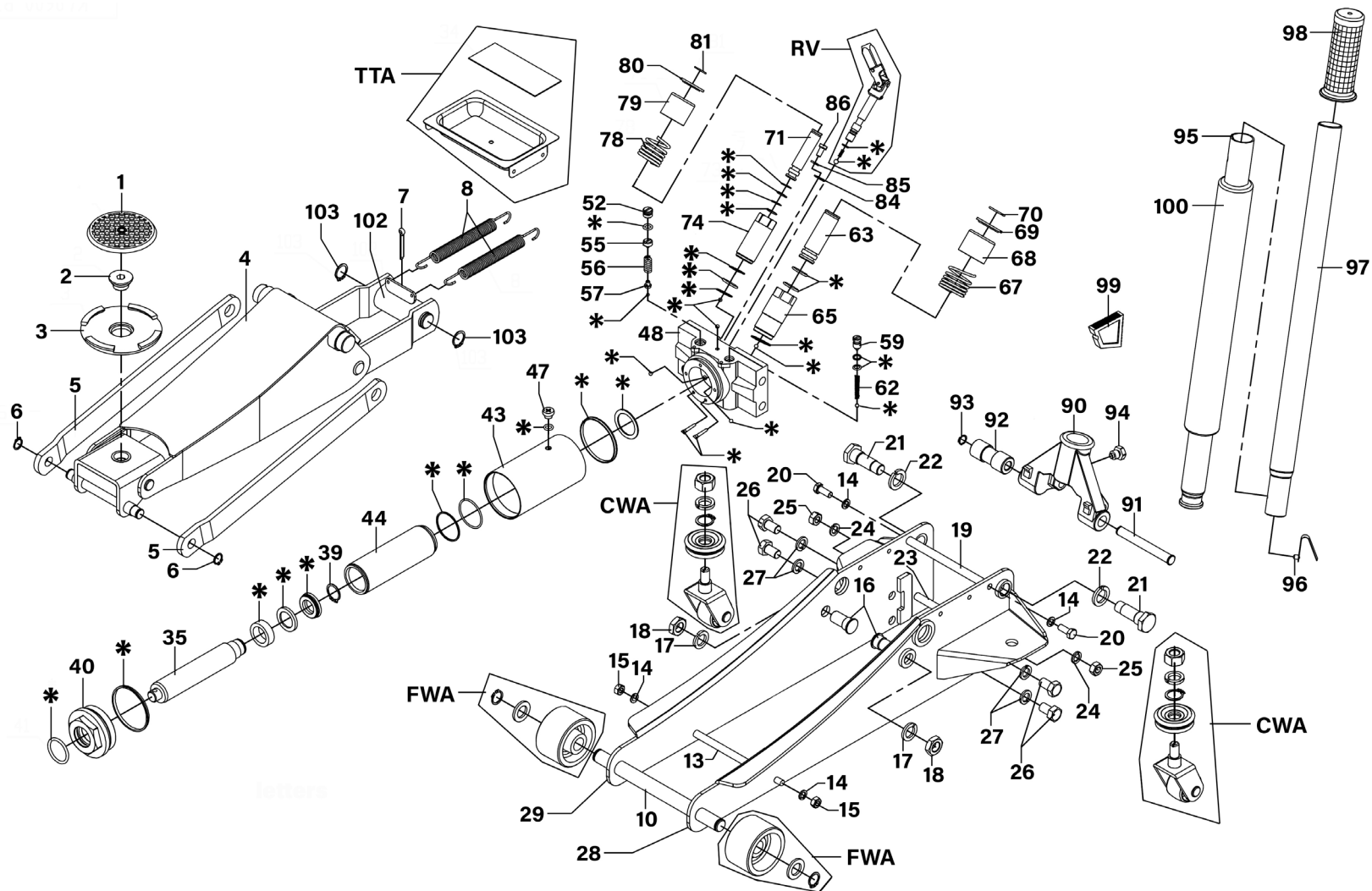




Parts Information:
Premier Low Profile Trolley Jack 2.5 Tonne
Model No: NA2500



NOTE: It is our policy to continually improve products and as such we reserve the right to alter data, specifications and component parts without prior notice.

There may be alternative versions of this product, please contact us should you require this information.

IMPORTANT: No liability is accepted for incorrect use of product. Spare parts must be fitted by a competent person

WARRANTY: Guarantee is 12 months from purchase date, proof of which will be required for any claim.

Sealey Group, Kempson Way, Suffolk Business Park, Bury St Edmunds, Suffolk. IP32 7AR



01284 757500



sales@sealey.co.uk



www.sealey.co.uk



Parts Information: Premier Low Profile Trolley Jack 2.5 Tonne Model No: NA2500

Item	Part No.	Description	Qty
1	JP17	Safety Rubber Jack Pad - Type B	1
2	NA2500-02	Saddle Pin	1
3	NA2500-03	Saddle, White Serrated (F), Stepped Ø 110mm	1
4	NA2500-04	Lift Arm Assembly	1
5	NA2500-05	Radius Link	2
6	NA2500-06	External Circlip	2
7	NA2500-07	Cotter Pin	1
8	NA2500-08	Return Spring Dia 16mm	2
10	NA2500-10	Front Axle	1
13	NA2500-13	Frame Tie Rod	1
14	NA2500-14	Spring Washer M8 Zinc	4
15	NA2500-15	Steel Nut M8 Zinc	2
16	NA2500-16	Radius Link Stud	2
17	NA2500-17	Spring Washer M16 Zinc	1
18	NA2500-18	Nyloc Nut M16 Zinc	2
19	NA2500-19	Frame Tie Rod	1
20	NA2500-20	Hex Head Set Screw M8 X 20 Zinc	2
21	NA2500-21	Handle Sleeve Bolt	2
22	NA2500-22	Spring Washer M18 Zinc	2
23	NA2500-23	Frame Tie Rod	1
24	NA2500-24	Spring Washer M10 Zinc	2
25	NA2500-25	Nyloc Nut M10 Zinc	2
26	NA2500-26	Hex Head Set Screw M12 X 20 Zinc	4
27	NA2500-27	Spring Washer M12 Zinc	4
28	NA2500-28	Frame, Left Side	1
29	NA2500-29	Frame, Right Side	1
35	NA2500-35	Ram Plunger	1
39	NA2500-39	External Circlip 20.5mm ID.	1
40	NA2500-40	Top Nut	1
43	NA2500-43	Reservoir	1
44	NA2500-44	Cylinder	1
47	NA2500-47	Oil Filler Plug Screw	1
48	NA2500-48	Base	1
52	NA2500-52	Guard Screw	1
55	NA2500-55	Safety Valve Screw	1
56	NA2500-56	Safety Valve Spring	1
57	NA2500-57	Ball Seat Valve	1

Item	Part No.	Description	Qty
59	NA2500-59	Valve Screw	1
62	NA2500-62	Taper Spring Dia 8.4mm	1
63	NA2500-63	Pump Piston (B)	1
65	NA2500-65	Pump Cylinder (large)	1
67	NA2500-67	Pump Core Spring (B) Dia 37.4mm	1
68	NA2500-68	Spring Sleeve (B)	1
69	NA2500-69	Spring Stop Plate (B)	1
70	NA2500-70	Spring Stop Plate Ring (B)	1
71	NA2500-71	Pump Piston (A)	1
74	NA2500-74	Pump 'A'	1
78	NA2500-78	Pump Core Spring (A) Dia 33.5mm	1
79	NA2500-79	Spring Sleeve (A)	1
80	NA2500-80	Spring Stop Plate (A)	1
81	NA2500-81	Snap Ring	1
84	NA2500-84	Flat Washer (26 × 17 × t3)	1
85	NA2500-85	Spring Washer M6 Zinc	1
86	NA2500-86	Hex Head Set Screw M6 X 12 Zinc	1
90	NA2500-90	Handle Socket	1
91	NA2500-91	Handle Socket Pin	1
92	NA2500-92	Handle Socket Roller	1
93	NA2500-93	External Circlip 12.0mm ID.	1
94	NA2500-94	Handle Socket Bolt	1
95	NA2500-95	Upper Handle	1
96	NA2500-96	Handle Lock Button	1
97	NA2500-97	Lower Handle	1
98	NA2500-98	Handle Grip	1
99	NA2500-99	Handle Locking Block	1
100	NA2500-100	Handle Sleeve	1
102	NA2500-102	Connection Rod	1
103	NA2500-103	External Circlip 20.5mm ID.	1
CWA	NA2500-CWA	Wheel,Rear Swivel Castor, Single Bolt	2
FWA	NA2500-FWA	Wheel Assembly, Front, Fixed	2
--	NA2500-HU	Hydraulic Unit Complete (Not Shown)	1
RV	NA2500-RV	Release Valve Assembly	1
TTA	NA2500-TTA	Tool Tray Assembly	1
*	NA2500-RK	Repair Kit (all item marked '*')	1

NOTE: It is our policy to continually improve products and as such we reserve the right to alter data, specifications and component parts without prior notice. There may be alternative versions of this product, please contact us should you require this information.

IMPORTANT: No liability is accepted for incorrect use of product. Spare parts must be fitted by a competent person

WARRANTY: Guarantee is 12 months from purchase date, proof of which will be required for any claim.

Sealey Group, Kempson Way, Suffolk Business Park, Bury St Edmunds, Suffolk. IP32 7AR



01284 757500



sales@sealey.co.uk



www.sealey.co.uk