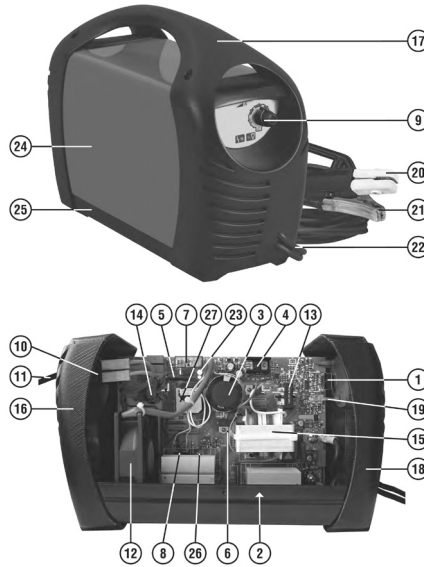


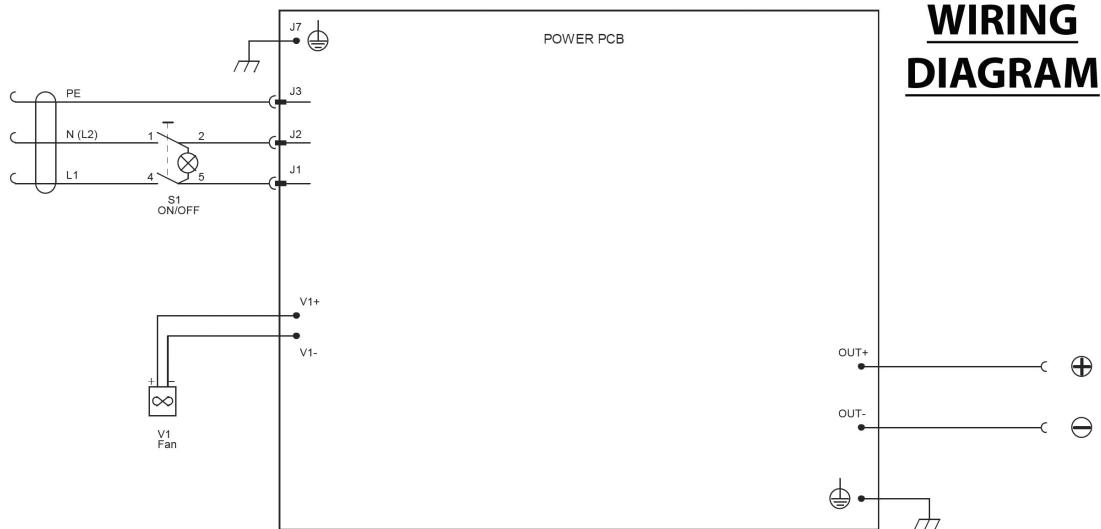


Parts Information:  
**Inverter 80Amp 230V with Accessory Kit & Carry-Case**  
**Model No: MW80**



Item	Part No.	Description
1	120.112017	POTENTIOMETER
2	120.112948	DIODE
3	120.113122	CAPACITOR 400v 680uf 50x35
4	120.116171	CAPACITOR 5A 100V
5	120.116328	RESISTANCE
6	120.116694	DIODE
7	120.116738	RELAY
8	120.121249	THERMOSTAT
9	120.121395	KNOB
10	120.122381	SWITCH, GREEN ROCKER
11	MC3CX1.5	MAINS CABLE BLK, 3 CORE, 1.5MM2
12	120.152019	FAN
13	120.152266	RESISTOR
14	120.164741	INDUCTANCE FILTER

Item	Part No.	Description
15	120.169638	POWER TRANSFORMER
16	120.322894	BACK PANEL
17	120.322895	HANDLE
18	120.322896	FRONT PANEL
19	120.322898	GUIDE
20	120.71226	ELECTRODE HOLDER 300A
21	120.713148	CABLE (c/w WORK CLAMP)
22	120.713149	CABLE 6MMQ 1.8m
23	120.98078	COMPLETE PCB KIT
24	120.981007	COVER KIT
25	120.980786	BOTTOM KIT
26	120.980787	IGBT + DIODE KIT
27	120.980801	RECTIFIER



**NOTE:** It is our policy to continually improve products and as such we reserve the right to alter data, specifications and component parts without prior notice.

**IMPORTANT:** No liability is accepted for incorrect use of product.

**WARRANTY:** Guarantee is 12 months from purchase date, proof of which will be required for any claim.

**Sealey Group**, Kempson Way, Suffolk Business Park, Bury St Edmunds, Suffolk. IP32 7AR



01284 757500



01284 703534



sales@sealey.co.uk



www.sealey.co.uk