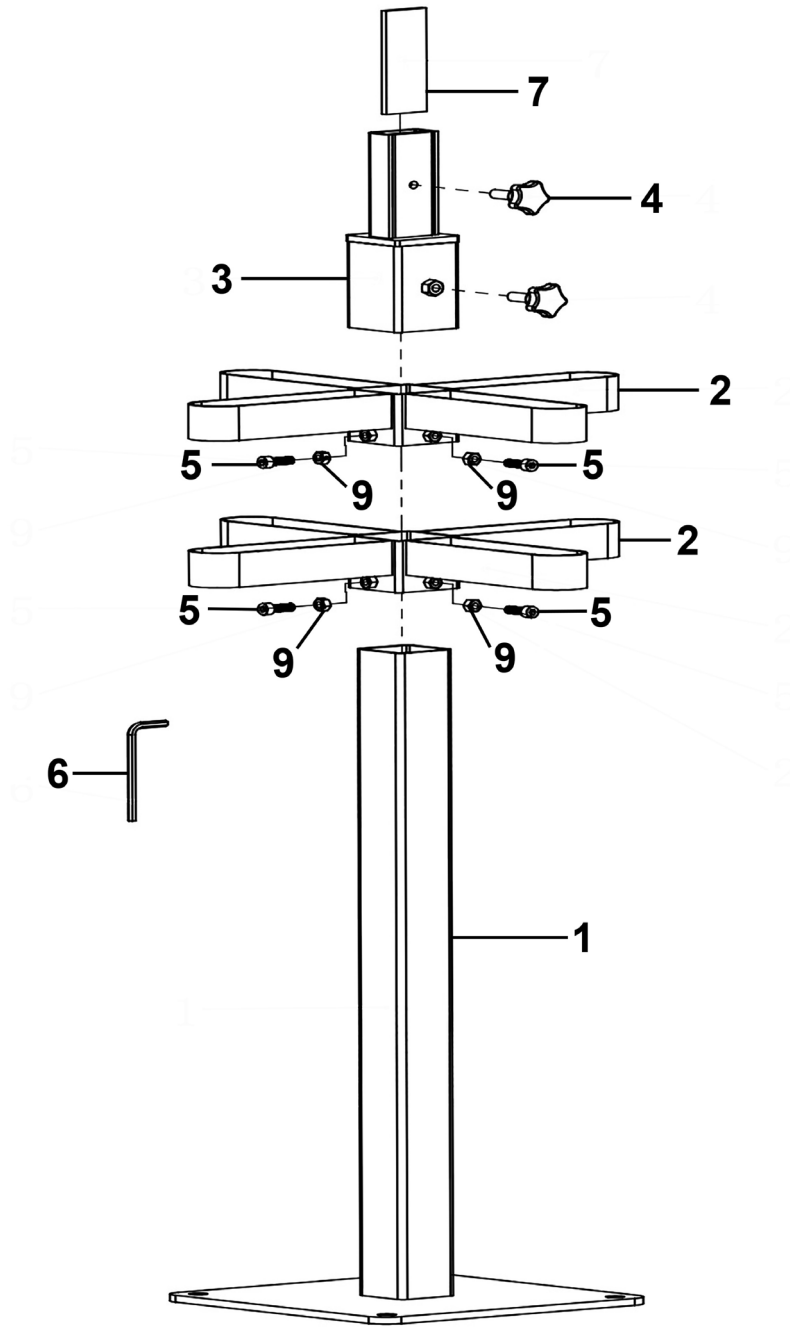


Parts Information:
Metal Shaping Station for holding T-dollies & Sandbags
Model No: MW19



Item	Part No.	Description	Qty
1	MW19-01	Stand	1
2	MW19-02	Storage Rack	2
3	MW19-03	Doly Adaptor	1
4	MW19-04	Knob, Plastic, Threaded	2

Item	Part No.	Description	Qty
5	SCB820.S	Socket Cap Bolt M8 x 20mm	4
6	MW19-06	Hex Key 6mm	1
7	MW19-07	Top Plate	1
9	SN8.S	Steel Nut M8 Zinc	4

NOTE: It is our policy to continually improve products and as such we reserve the right to alter data, specifications and component parts without prior notice. There may be alternative versions of this product, please contact us should you require this information.

IMPORTANT: No liability is accepted for incorrect use of product. Spare parts must be fitted by a competent person

WARRANTY: Guarantee is 12 months from purchase date, proof of which will be required for any claim.