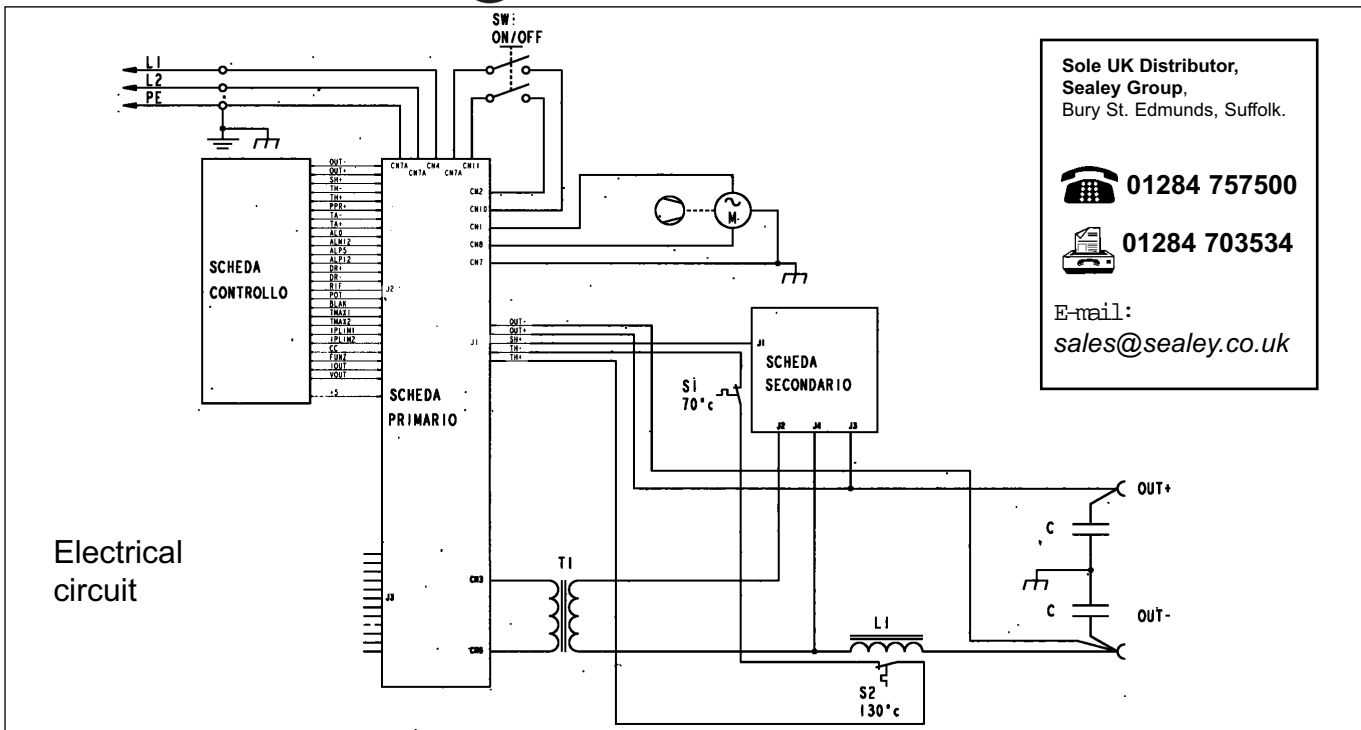
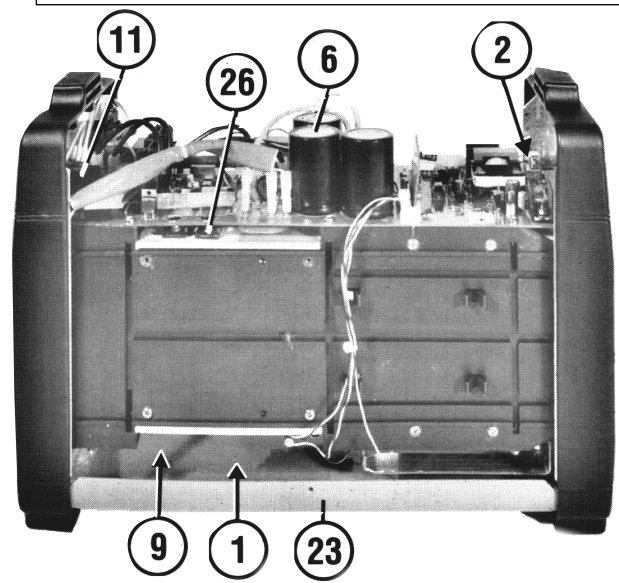
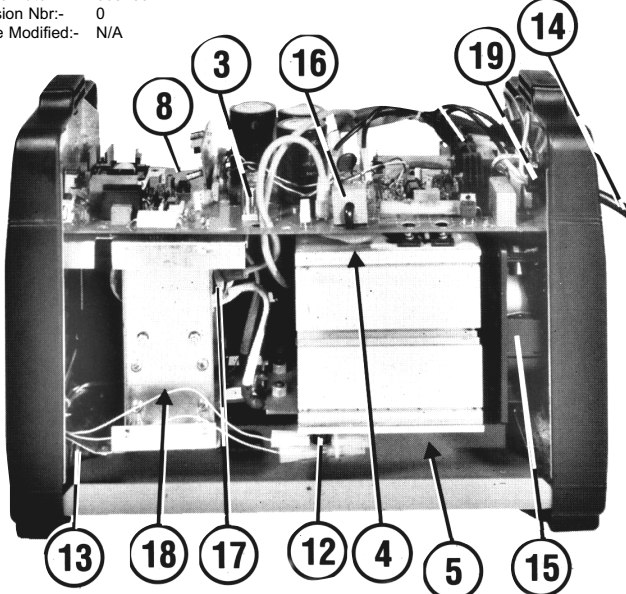


Original Date:- 080200
 Issue Date:- 080200
 Version Nbr:- 0
 Date Modified:- N/A

ITEM	PART NO	DESCRIPTION
1	120/990059	KIT DIODE
2	120/112017	POTENTIOMETER
3	120/112342	RELAYS
4	120/112357	SINGLE-PHASE RECTIFIER
6	120/112514	CAPACITOR
7	120/990409	KNOB KIT
8	120/990055	KIT PRIMARY PCB
9	120/990056	KIT SECONDARY PCB
10	120/122047	SWITCH
11	120/122243	SWITCH
12	120/122508	THERMAL SWITCH 10.0A
13	120/123543	CAPACITOR ASSEMBLY
14	120/132158	MAINS CABLE
15	120/152101	FAN
16	120/152231	CURRENT TRANSFORMER
17	120/164781	TRANSFORMER ASSY
19	120/322112	CABLE BUSHING
20	120/322065	BUCKLE
21	120/322408	BELT
22	120/322450	FRAME
23	120/650414	BOTTOM
24	120/655011	COVER
25	120/712035	DINSE SOCKET
26	120/990054	KIT IGBT
27	120/112512	RESISTOR



Sole UK Distributor,
 Sealey Group,
 Bury St. Edmunds, Suffolk.

☎ 01284 757500
 📠 01284 703534

E-mail:
sales@sealey.co.uk