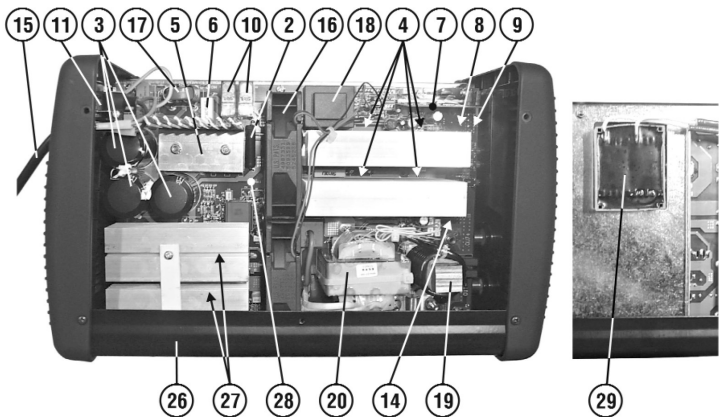


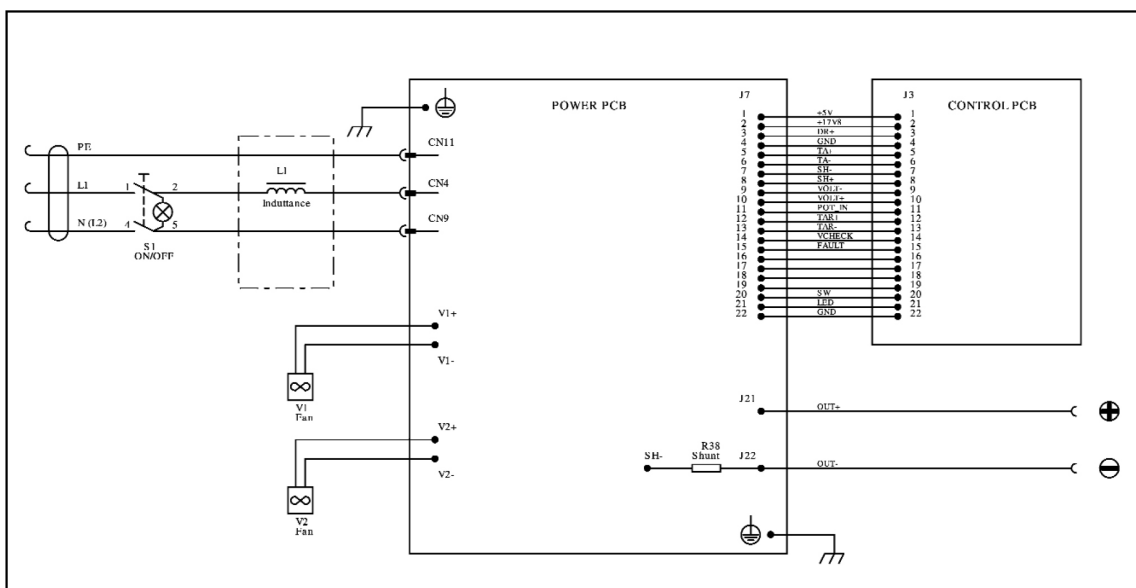


Parts Information:  
**Inverter 160Amp with Surge Protection**  
**230V**  
**Model No: MW160PLUS**



Item	Part No.	Description
1	120/112017	Potentiometer
2	120/112048	Resistor
3	120.113156	Capacitor 470uf 450V 50x25
4	120.112948	Diode
5	120.116066	Rectifier
6	120.113046	Resistance
7	120.114410	Control Board
8	120.116115	Capacitor 1A 400V
9	120.116171	Capacitor 5A 100V
10	120.116320	Relay
11	120.121007	Switch
12	120.121064	Knob For Potentiometer
13	120.121192	Switch
14	120.121200	Thermostat
15	120/132158	Mains Cable

Item	Part No.	Description
16	120/152006	Fan
17	120/164741	Inductance Filter
18	120.169369	Auxiliary Transformer
--	120.169383	Inductance (NOT SHOWN)
19	120.980483	Inductance
20	120.169407	Power Transformer
21	120.322692	Front Panel
22	120.322694	Back Panel
23	120.322695	Handle
24	120/712000	Dinse Socket Small
25	120.990971	Cover Kit
26	120.990913	Bottom Kit
27	120.990918	Kit + Diode
28	120.990921	Complete Control PCB Kit
29	120.169404	Filter Inductance



**NOTE:** It is our policy to continually improve products and as such we reserve the right to alter data, specifications and component parts without prior notice.

**IMPORTANT:** No liability is accepted for incorrect use of product.

**WARRANTY:** Guarantee is 12 months from purchase date, proof of which will be required for any claim.

**Sealey Group**, Kempson Way, Suffolk Business Park, Bury St Edmunds, Suffolk. IP32 7AR



01284 757500



01284 703534



sales@sealey.co.uk



www.sealey.co.uk