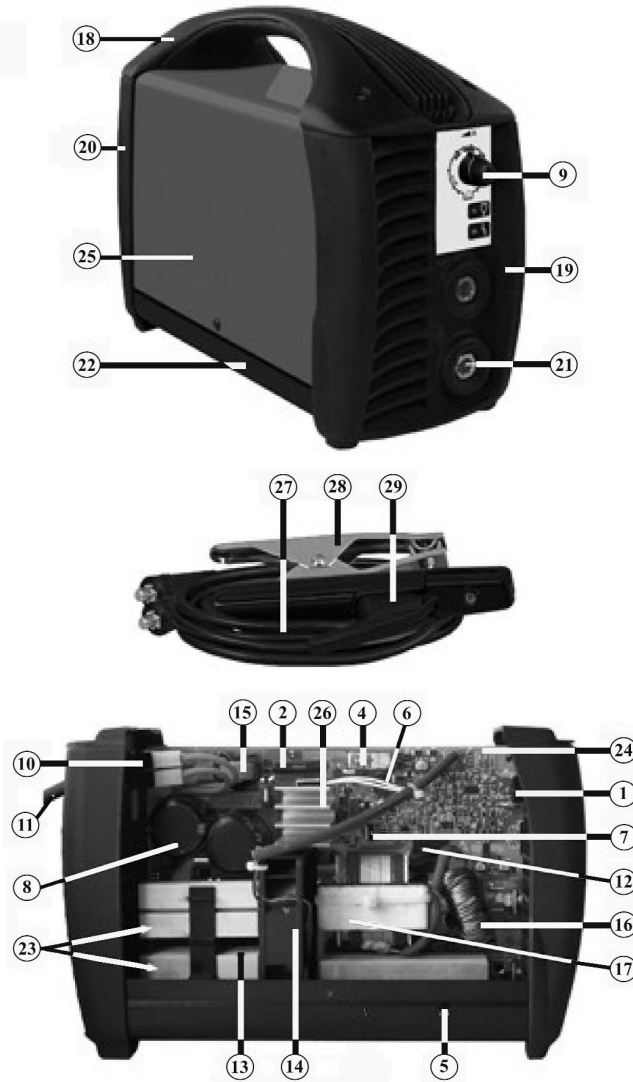




Parts Information:  
**MMA/TIG Inverter Welder 150Amp with  
 Surge Protection 230V  
 Model No: MW151PLUS**



Item	Part No.	Description
1	120.112017	POTENTIOMETER
2	120.112048	RESISTOR
4	120.116320	RELAY
5	120.116839	DIODE
6	120.116848	INDUCTANCE
7	120.116849	RECTIFIER
8	120.116926	CONDENSER
9	120.121395	KNOB
10	120.122381	SWITCH, GREEN ROCKER
11	120.132066	MAINS CABLE
12	120.152230	TRANSFORMER
13	120.152247	RESISTANCE
14	120.152269	FAN
15	120.164741	INDUCTANCE FILTER

Item	Part No.	Description
16	120.169664	INDUCTANCE
17	120.169665	POWER TRANSFORMER
18	120.312434	HANDLE SET
19	120.322950	FRONT PANEL
20	120.322951	BACK PANEL
21	120.712000	DINSE SOCKET SMALL
22	120.980345	BOTTOM KIT
23	120.980614	KIT IGBT + DIODE
24	120.981024	COMPLETE PCB KIT
25	120.981154	COVER KIT
26	120.981030	THERMAL SWITCH KIT
27	120.120602	CABLE 16MMQ
28	120.712231	WORK CLAMP
29	120.712260	ELECTRODE HOLDER 300A

**NOTE:** It is our policy to continually improve products and as such we reserve the right to alter data, specifications and component parts without prior notice.

**IMPORTANT:** No liability is accepted for incorrect use of product.

**WARRANTY:** Guarantee is 12 months from purchase date, proof of which will be required for any claim.

**Sealey Group**, Kempson Way, Suffolk Business Park, Bury St Edmunds, Suffolk. IP32 7AR



01284 757500



01284 703534



sales@sealey.co.uk



www.sealey.co.uk