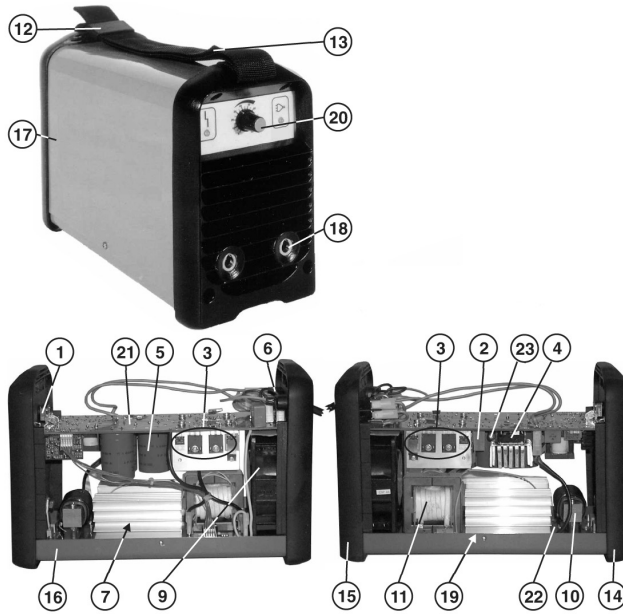




Parts Information:
Inverter 140Amp 230V
Model No: MW140.V2



Item	Part No.	Description
1	120/112017	Potentiometer
2	120/113493	Relay
3	120/990569	Kit IGBT + Diodes
4	120/112357	Rectifier
5	120.113675	Capacitor 400V 470UF 50x35
6	120/122381	Switch, Green Rocker
7	120/122571	Thermal Switch
9	120/152101	Fan
10	120/164910	Reactance
11	120/169108	Power Transformer
12	120/322065	Buckle

Item	Part No.	Description
13	120/322408	Belt
14	120/322438	Front Panel
15	120/322439	Rear Panel
16	120.644041	Bottom (Black)
17	120.655112	Cover
18	120/712000	Dinse Socket Small
19	120.112377	Diode 100A
20	120/121043	Knob Kit
21	120/990612	PCB
22	120/990576	Kit Secondary PCBB
23	120/112048	Resistor

