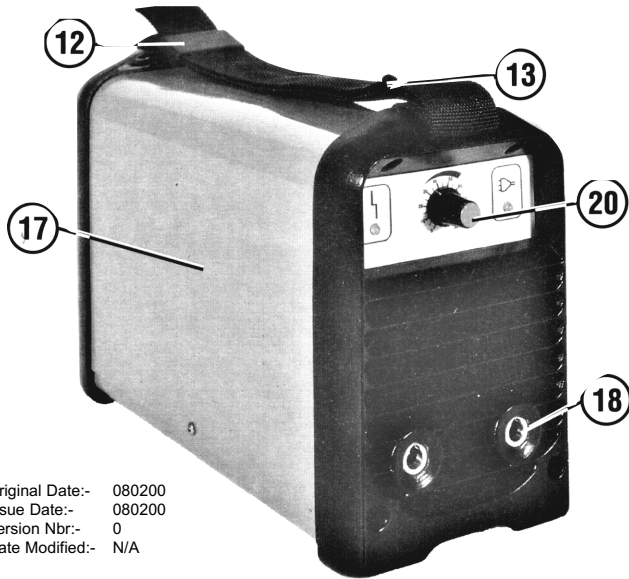
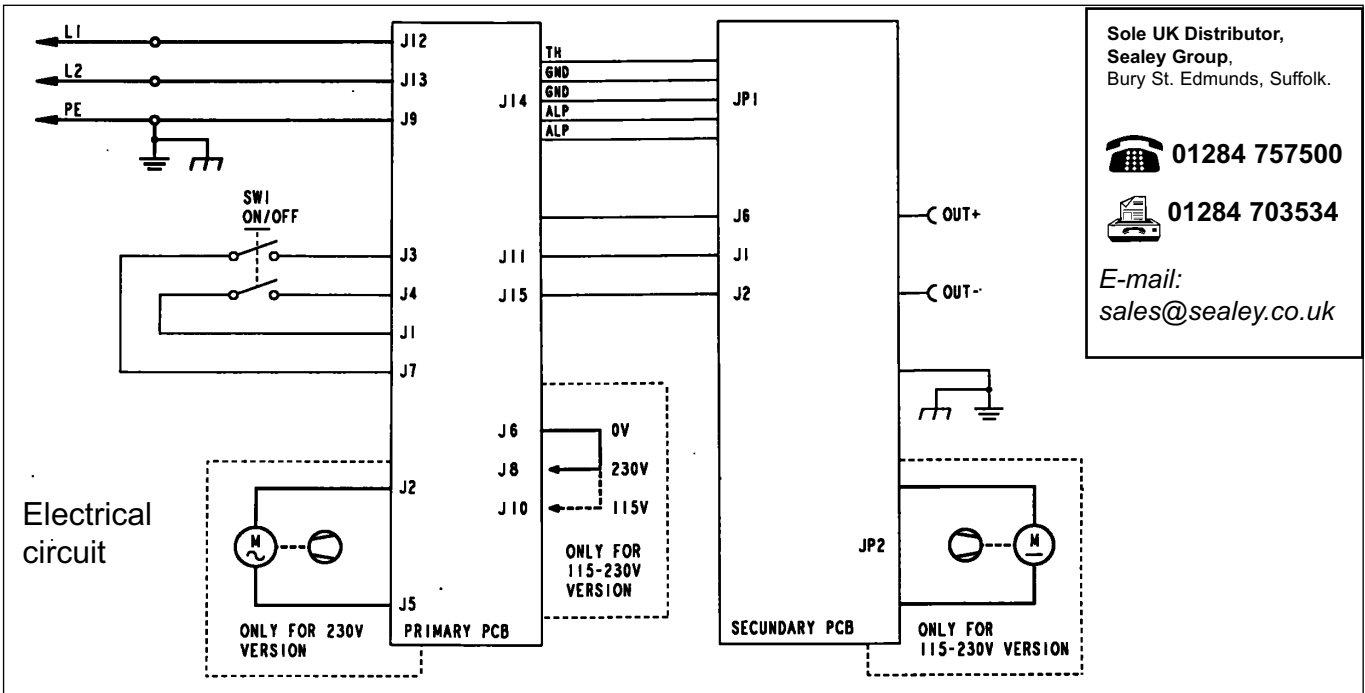
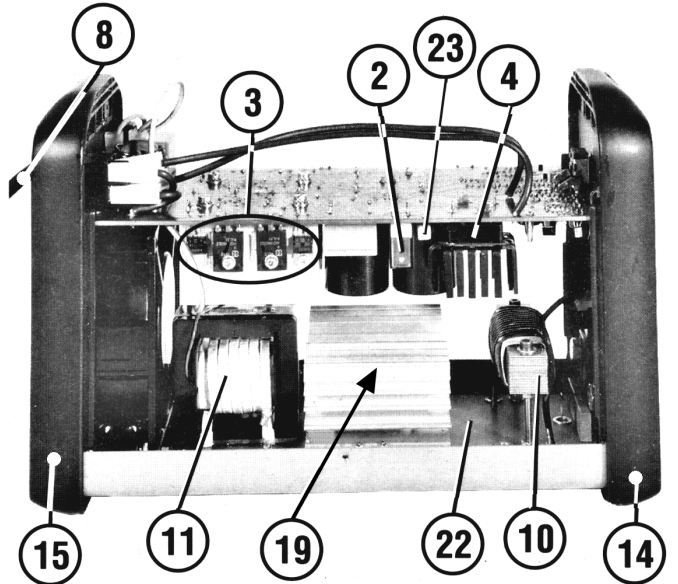
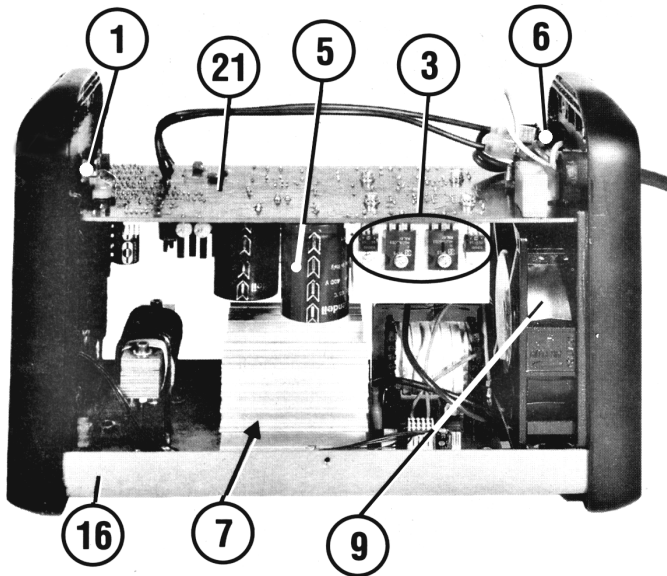


PARTS LIST FOR Model MW140



Original Date:- 080200
 Issue Date:- 080200
 Version Nbr:- 0
 Date Modified:- N/A

ITEM	PART NO	DESCRIPTION
1	120/112017	POTENTIOMETER
2	120/112342	RELAIS
3	120/990613	KIT DIODI-IGBT-RESISTANCE
4	120/112357	SINGLE-PHASE RECTIFIER
5	120/112514	CAPACITOR
6	120/122381	SWITCH
7	120/122571	THERMAL SWITCH
8	120/132075	MAINS CABLE
9	120/152101	FAN
10	120/164910	REACTANCE
11	120/164911	POWER TRANSFORMER
12	120/322065	BUCKLE
13	120/322408	BELT
14	120/322438	FRONT PANEL
15	120/322439	BACK PANEL
16	120/650451	BOTTOM
17	120/655012	COVER
18	120/712000	DINSE SOCKET
19	120/990061	KIT DIODE
20	120/990328	KNOB
21	120/990612	KIT PRIMARY PCB
22	120/990611	KIT SECONDARY PCB
23	120/112512	RESISTOR



Sole UK Distributor,
 Sealey Group,
 Bury St. Edmunds, Suffolk.

☎ 01284 757500

📠 01284 703534

E-mail:
sales@sealey.co.uk