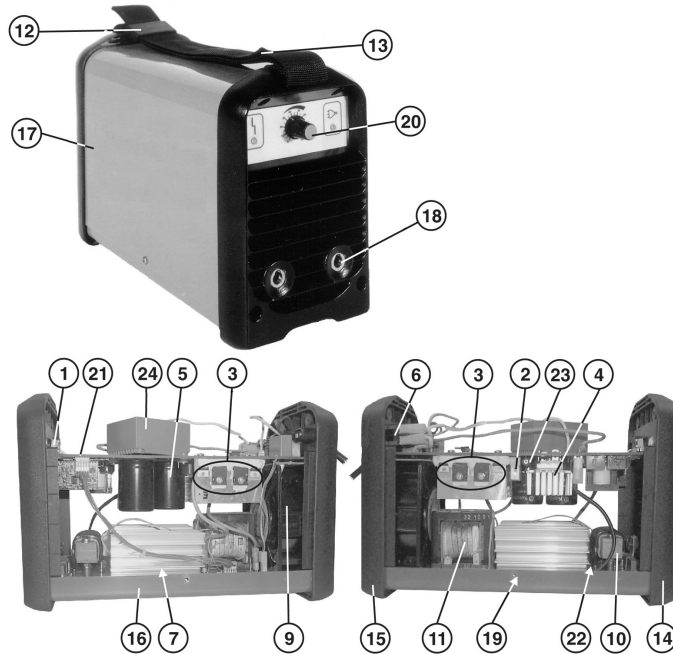


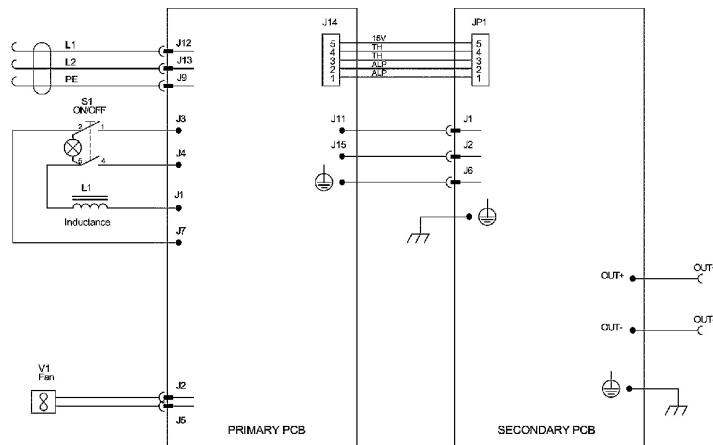


Parts Information:  
**Inverter 140Amp with Surge Protection**  
**230V**  
**Model No: MW140PLUS**



Item	Part No.	Description
1	120/112017	Potentiometer
2	120/113493	Relay
3	120/990569	Kit igbt + Diodes
4	120.116066	Rectifier
5	120.113156	Capacitor 470uf 450V 50x25
6	120/122381	Switch, Green Rocker
7	120/122571	Thermal Switch
--	MC3CX1.5	Mains Cable Blk, 3 Core, 1.5mm2 (NOT SHOWN)
9	120/152101	Fan
10	120.169255	Filter Inductance
11	120/169108	Power Transformer
12	120/322065	Buckle

Item	Part No.	Description
13	120/322408	Belt
14	120/322438	Front Panel
15	120/322439	Rear Panel
16	120.644041	Bottom (Black)
17	120.990791	Cover Kit
18	120/712000	Dinse Socket Small
19	120.112377	Diode 100A
20	120/121043	Knob Kit
21	120.990750	Kit Primary Control PCB
22	120/990576	Kit Secondary PCB
23	120/112048	Resistor
24	120/164910	Reactance



**NOTE:** It is our policy to continually improve products and as such we reserve the right to alter data, specifications and component parts without prior notice.

**IMPORTANT:** No liability is accepted for incorrect use of product.

**WARRANTY:** Guarantee is 12 months from purchase date, proof of which will be required for any claim.

**Sealey Group**, Kempson Way, Suffolk Business Park, Bury St Edmunds, Suffolk. IP32 7AR



01284 757500



01284 703534



sales@sealey.co.uk



www.sealey.co.uk