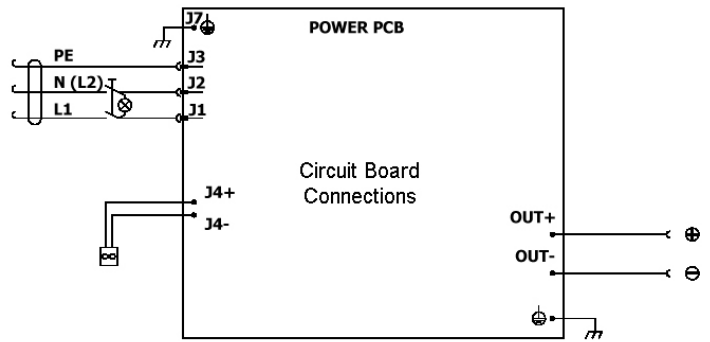
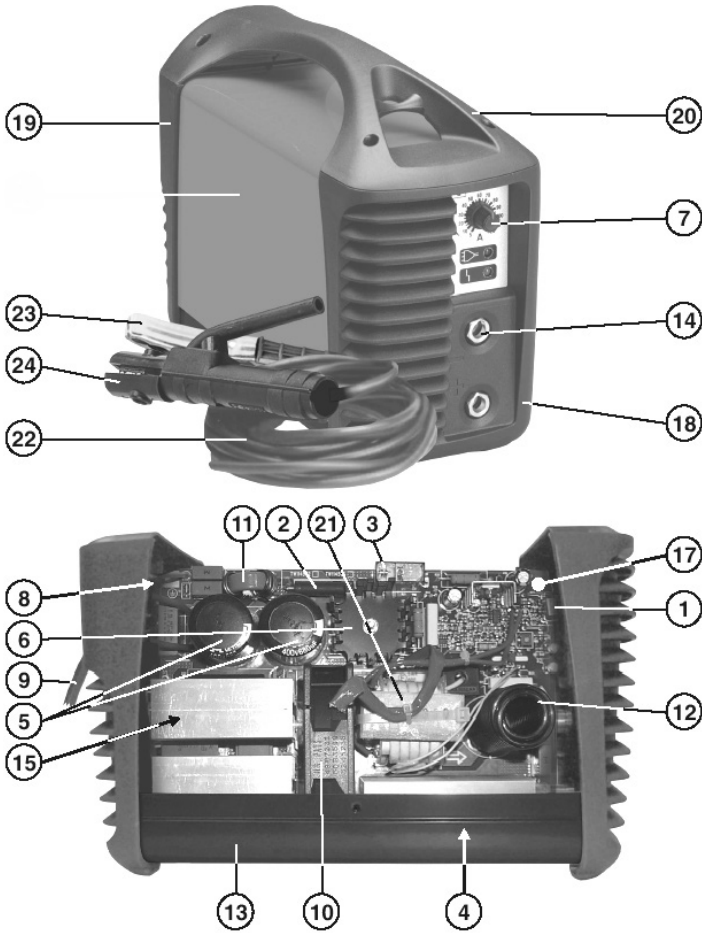




Parts Information:
**Inverter 130Amp 230V with Accessory Kit
 & Carry-Case**
Model No: MW130.V4



Item	Part No.	Description
1	120.112017	Potentiometer
2	120.112048	Resistor
3	120.113790	Relay
4	120.112948	Diode
5	120.112514	Capacitor 470uf 400v 50x35
6	120.116346	Rectifier
7	120.121064	Knob For Potentiometer
8	120.122381	Switch, Green Rocker
9	MC3CX1.5	Mains Cable Blk, 3 Core, 1.5mm2
10	120.152006	Fan
11	120.164741	Inductance Filter
12	120.169144	Inductance

Item	Part No.	Description
13	120.644958	Bottom (Black)
14	120.712000	Dinse Socket Small
15	120.990734	Kit igt + Diode
17	120.990969	Complete Control PCB Kit
18	120.322562	Front Panel
19	120.322563	Back Panel
20	120.322564	Handle
21	120.169389	Power Transformer
22	120.120304	Cable 10mmq 1.8m
23	120.712001	Clamp, Earth (Black)
24	120.712260	Electrode Holder 300a
--	120.980044	Cover Kit (NOT SHOWN)

NOTE: It is our policy to continually improve products and as such we reserve the right to alter data, specifications and component parts without prior notice.

IMPORTANT: No liability is accepted for incorrect use of product.

WARRANTY: Guarantee is 12 months from purchase date, proof of which will be required for any claim.

Sealey Group, Kempson Way, Suffolk Business Park, Bury St Edmunds, Suffolk. IP32 7AR



01284 757500



01284 703534



sales@sealey.co.uk



www.sealey.co.uk