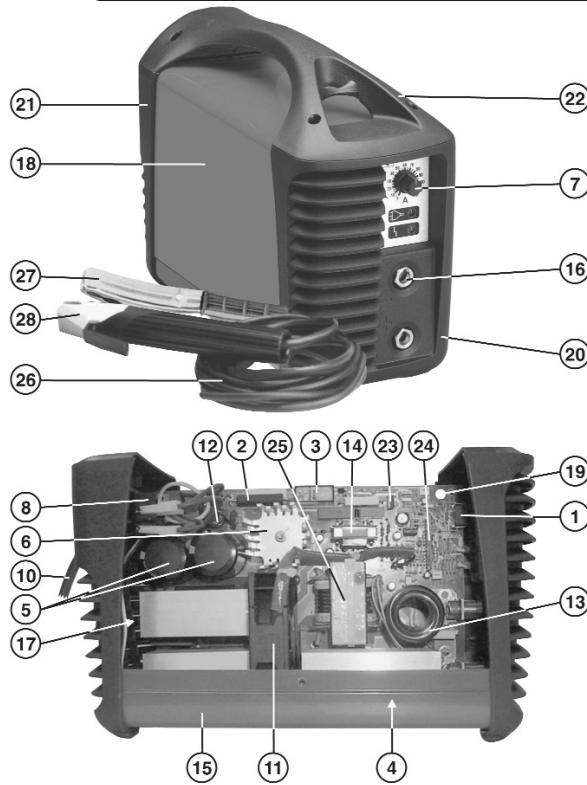


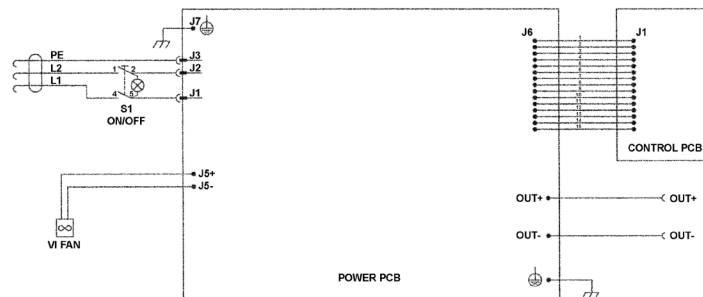


Parts Information:  
**Inverter 130Amp 230V with Accessory Kit  
 & Carry-Case**  
**Model No: MW130.V2**



Item	Part No.	Description
1	120/112017	Potentiometer
2	120/112048	Resistor
3	120/112342	Relay
4	120.112948	Diode
5	120/112514	Capacitor 470UF 400V 50x35
6	120/113018	Rectifier
7	120.121064	Knob For Potentiometer
8	120/122381	Switch, Green Rocker
10	MC3CX1.5	Mains Cable Blk, 3 Core, 1.5mm2
11	120/152006	Fan
12	120/164741	Inductance Filter
13	120/169144	Inductance
14	120/169027	Transformer
15	120.644958	Bottom (Black)

Item	Part No.	Description
16	120/712000	Dinse Socket Small
17	120/990628	Kit IGBT + Diode
18	120.990782	Cover
19	120.990743	Kit Complete Control PCB
20	120.322562	Front Panel
21	120.322563	Back Panel
22	120.322564	Handle
23	120/113487	PWM Controller
24	120/114079	Control PCB
25	120/169119	Transformer
26	120/120304	Cable 10mmq 1.8m
27	120/712001	Clamp, Earth (Black)
28	120.712260	Electrode Holder 300A



**NOTE:** It is our policy to continually improve products and as such we reserve the right to alter data, specifications and component parts without prior notice.

**IMPORTANT:** No liability is accepted for incorrect use of product.

**WARRANTY:** Guarantee is 12 months from purchase date, proof of which will be required for any claim.

**Sealey Group**, Kempson Way, Suffolk Business Park, Bury St Edmunds, Suffolk. IP32 7AR



01284 757500



01284 703534



sales@sealey.co.uk



www.sealey.co.uk