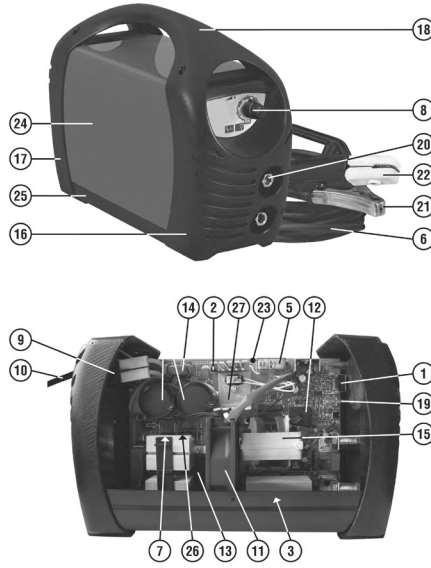


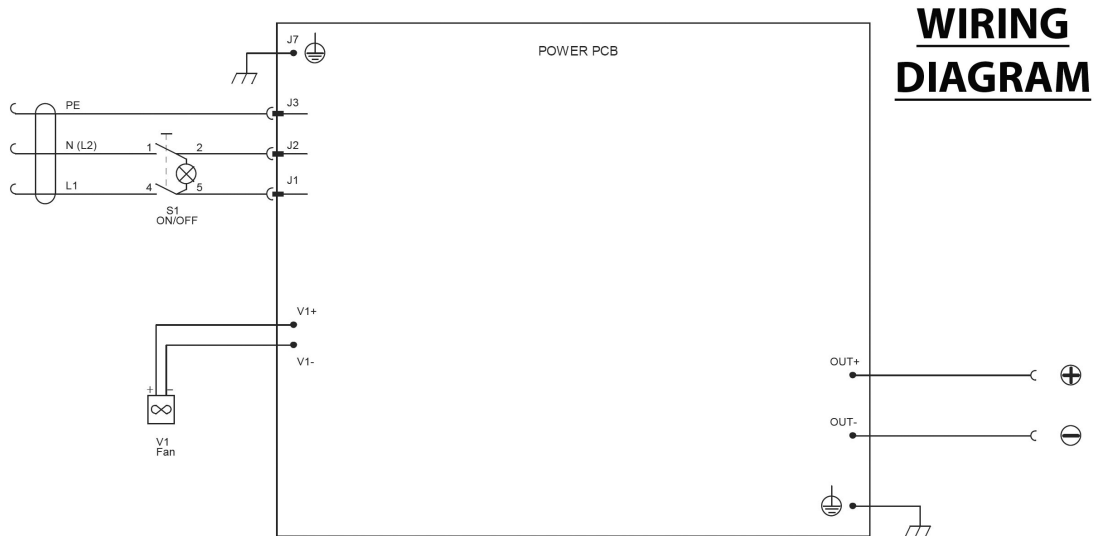


Parts Information:
**Inverter 125Amp 230V with Accessory Kit
 & Carry-Case**
Model No: MW125



Item	Part No.	Description
1	120/112017	POTENTIOMETER
2	120/112048	RESISTOR
3	120.112948	DIODE
5	120.116738	RELAY
6	120/120304	CABLE 10MMQ 1.8M
7	120.121249	THERMOSTAT
8	120.121395	KNOB
9	120/122381	SWITCH, GREEN ROCKER
10	MC3CX1.5	MAINS CABLE BLK, 3 CORE, 1.5MM2
11	120.152019	FAN
12	120/152230	TRANSFORMER
13	120.152247	RESISTANCE
14	120/164741	INDUCTANCE FILTER

Item	Part No.	Description
15	120.169631	POWER TRANSFORMER
16	120.322893	FRONT PANEL
17	120.322894	BACK PANEL
18	120.322895	HANDLE
19	120.322898	GUIDE
20	120/712000	DINSE SOCKET SMALL
21	120/712001	CLAMP, EARTH (BLACK)
22	120.71226	ELECTRODE HOLDER 300A
23	120.980781	PCB KIT COMPLETE
24	120.981008	COVER KIT
25	120.980786	BOTTOM KIT
26	120.980788	IGBT + DIODE KIT
27	120.980802	RECTIFIER



NOTE: It is our policy to continually improve products and as such we reserve the right to alter data, specifications and component parts without prior notice.

IMPORTANT: No liability is accepted for incorrect use of product.

WARRANTY: Guarantee is 12 months from purchase date, proof of which will be required for any claim.

Sealey Group, Kempson Way, Suffolk Business Park, Bury St Edmunds, Suffolk. IP32 7AR



01284 757500



01284 703534



sales@sealey.co.uk



www.sealey.co.uk