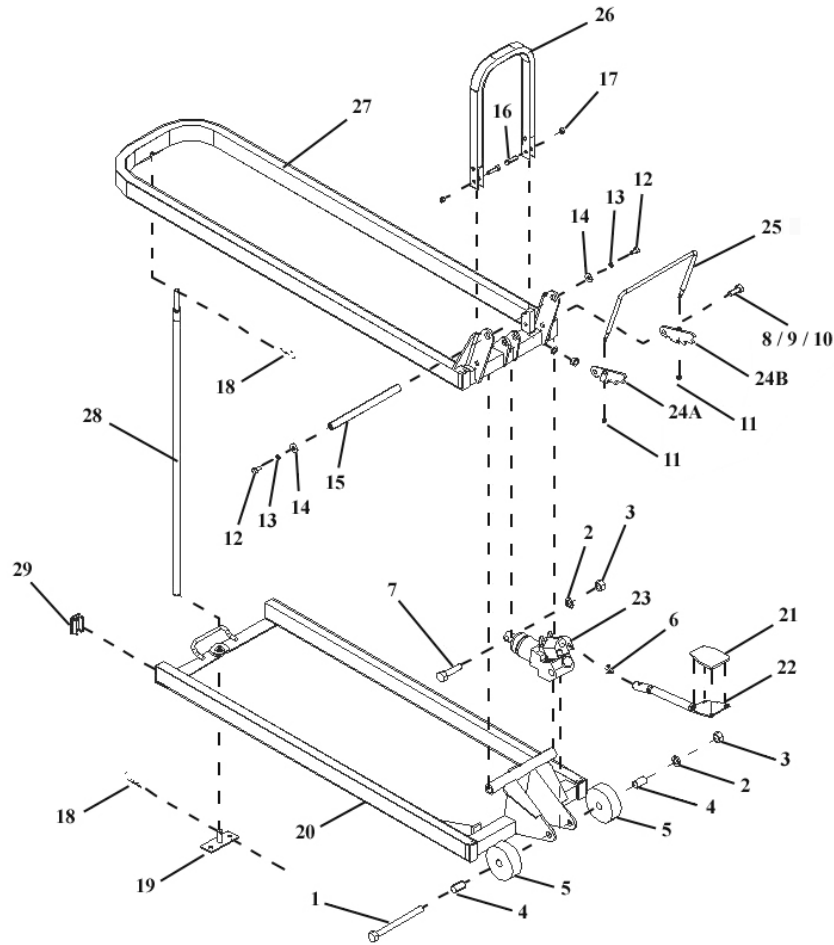


Parts Information:  
**Mini Tractor/Quad Bike Tilt 400kg Capacity Hydraulic**  
**Model No: MTT400**



Item	Part No.	Description
1	MTT400.01	BOLT (M16x190)
2	MTT400.02	FLAT WASHER (16MM)
3	NLN16.S	NYLOC NUT M16 ZINC DIN 985 (SINGLE)
4	MTT400.04	WHEEL BUSHING
5	MTT400.05	WHEEL, FIXED (100x21x28)
6	MTT400.06	SPRING
7	MTT400.07	BOLT M16X60
8	MTT400.08	BOLT M12X30
9	MTT400.09	SPRING WASHER (12MM)
10	MTT400.10	FLAT WASHER (12MM)
11	NLN6.S	NYLOC NUT M6 ZINC DIN 985 (SINGLE)
12	MTT400.12	BOLT M8X16
13	MTT400.13	SPRING WASHER (8MM)
14	MTT400.14	FLAT WASHER (8MM)
15	MTT400.15	HANDLE PIN
16	MTT400.16	BOLT M8X30
17	NLN8.S	NYLOC NUT M8 ZINC DIN 985 (SINGLE)

Item	Part No.	Description
18	MTT400.18	PIN 'R'
19	MTT400.19	FOOT
20	MTT400.20	BASE
21	MTT400.21	RUBBER PAD FOR PEDAL
22	MTT400.22	PEDAL
23	MTT400.23	PUMP
--	MTT400.23B	PUMP HANDLE (NOT SHOWN)
--	MTT400.23C	PISTON (NOT SHOWN)
--	MTT400.23D	RELEASE VALVE (NOT SHOWN)
--	1100CXDV3-06	HANDLE SOCKET (NOT SHOWN)
24A	MTT400.24A	LEFT BRAKE
24B	MTT400.24B	RIGHT BRAKE
25	MTT400.25	BRAKE HANDLE
26	MTT400.26	HANDLE
27	MTT400.27	LIFTING CRADLE
28	MTT400.28	SAFETY SUPPORT
29	MTT400.29	END CAP

**NOTE:** It is our policy to continually improve products and as such we reserve the right to alter data, specifications and component parts without prior notice.

**IMPORTANT:** No liability is accepted for incorrect use of product.

**WARRANTY:** Guarantee is 12 months from purchase date, proof of which will be required for any claim.