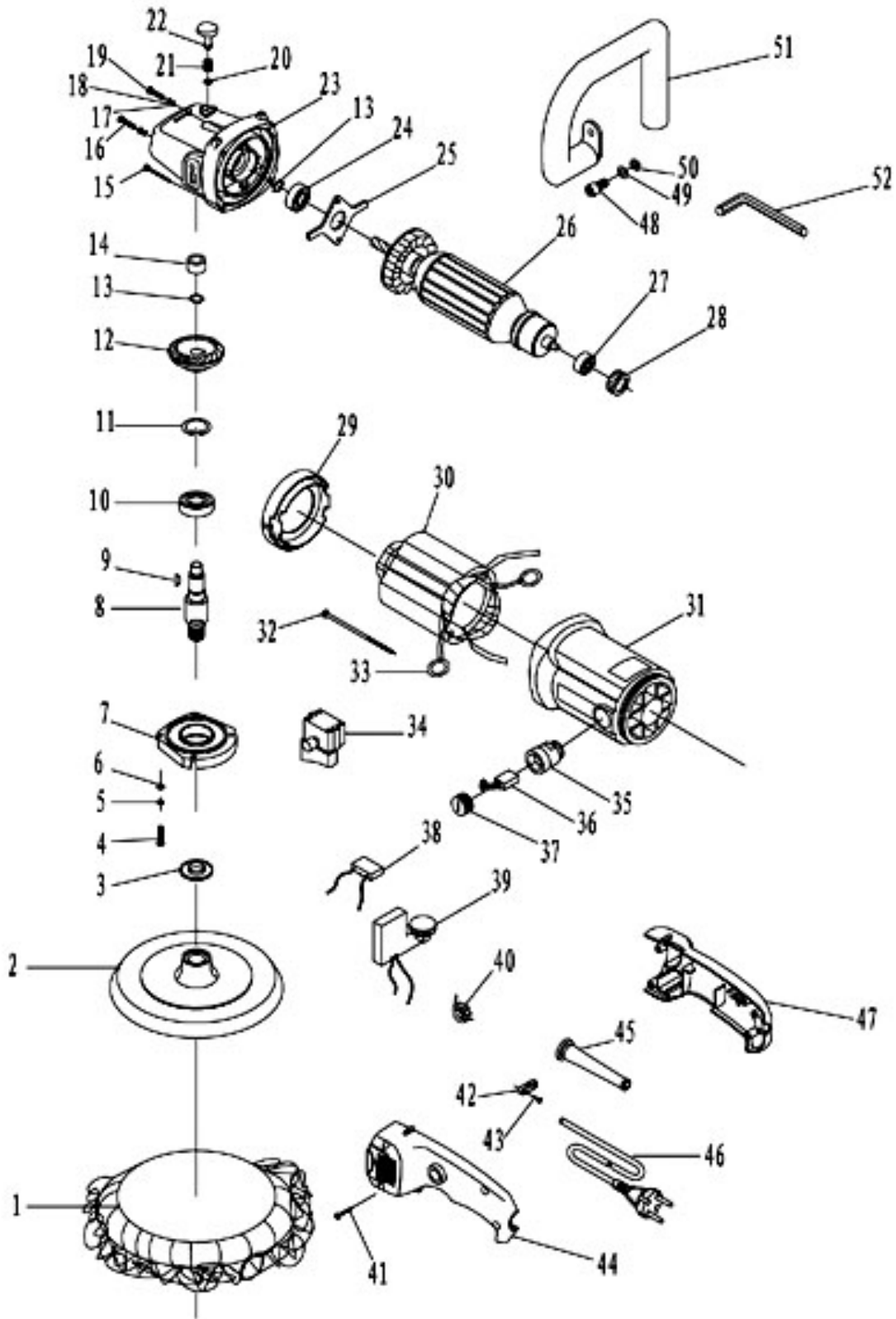




Parts Information:
Sander/Polisher 180mm Variable Speed
"MoreTools Brand"
Model No: MTSP.V2



NOTE: It is our policy to continually improve products and as such we reserve the right to alter data, specifications and component parts without prior notice.

IMPORTANT: No liability is accepted for incorrect use of product.

WARRANTY: Guarantee is 12 months from purchase date, proof of which will be required for any claim.

Sealey Group, Kempson Way, Suffolk Business Park, Bury St Edmunds, Suffolk. IP32 7AR



01284 757500



01284 703534



sales@sealey.co.uk



www.sealey.co.uk



Parts Information:
Sander/Polisher 180mm Variable Speed
"MoreTools Brand"
Model No: MTSP.V2

Item	Part No.	Description
1	S0758.01	POLISHING PAD
2	PTC/180VA	DA PAD for HOOK & LOOP DISCS 178mm M14 x
3	S0758.03	DUST COVER
4	MSP414.SB	MACHINE SCREW PAN HEAD PHILLIPS M4x14mm
5	SWM4.SB	SPRING WASHER M4 BLACK (SINGLE)
6	FWM4.S	FLAT WASHER M4 SINGLE
7	MTSPV2-07	FRONT COVER
8	S0758.08	SPINDLE
9	S0758.09	KEY 4x13mm
10	B/6002ZZ	BEARING 6002ZZ
11	S0758.11	CIRCLIP
12	S0758.12	GEAR
13	S0758.13	CIRCLIP
14	S0758.14	BRASS BUSH
15	S0758.15	SCREW ST4.8x35
16	S0758.16	SCREW M5x12
17	FWM5.S	FLAT WASHER M5 SINGLE
18	SWM5.S	SPRING WASHER M5 ZINC (SINGLE)
19	S0758.19	SCREW M5x16
20	S0758.20	CIRCLIP
21	S0758.21	LOCKING PIN SPRING
22	S0758.22	SPINDLE LOCK
23	MTSPV2-23	GEAR BOX
24	B/6201ZZ	BEARING 6201ZZ
25	S0758.25	BEARING COVER
26	MTSPV2-26	ROTOR ASSY
27	B/608ZZ	BEARING 608ZZ

Item	Part No.	Description
28	S0758.28	BEARING SLEEVE
29	MTSPV2-29	WIND GUARD
30	S0758.30	STATOR ASSY
31	MTSPV2-31	HOUSING
32	S0758.32	RD HEAD S/T SCREW M3.8 X 70
33	S0758.33	ELECTRICAL RING
34	S0758.34	SWITCH
35	S0758.35	BRUSH HOLDER
36	S0758.36	CARBON BRUSH (SINGLES)
37	S0758.37	BRUSH COVER
38	S0758.38	CAPACITOR 33uf 250/275v 2.5x1.5
39	S0758.39	ELECTRONICS (2 WIRE)
40	S0758.40	INDUCTANCE
41	S0758.41	RD HEAD S/T SCREW M3.5 X 18
42	S0758.42	CORD CLAMP
43	S0758.43	RD HEAD S/T SCREW M3.6 X 16
44	MTSPV2-44	LEFT REAR CASING
45	S0758.45	CORD PROTECTOR
46	MTSPV2-46	CORD AND PLUG
--	MC2CX1.5R	MAINS CABLE BLK, 2 CORE, 1.5MM2 (RUBBER) (NOT SHOWN)
47	MTSPV2-47	RIGHT REAR CASING
48	SCB820.SB	SOCKET HEAD CAP SCREW M8x20 BLACK
49	SWM8.SB	SPRING WASHER M8 BLACK(SINGLE)
50	S0758.50	FLAT WASHER 8mm
51	S0758.51	HANDLE
52	S0758.52	HEX KEY

NOTE: It is our policy to continually improve products and as such we reserve the right to alter data, specifications and component parts without prior notice.

IMPORTANT: No liability is accepted for incorrect use of product.

WARRANTY: Guarantee is 12 months from purchase date, proof of which will be required for any claim.

Sealey Group, Kempson Way, Suffolk Business Park, Bury St Edmunds, Suffolk. IP32 7AR



01284 757500



01284 703534



sales@sealey.co.uk



www.sealey.co.uk