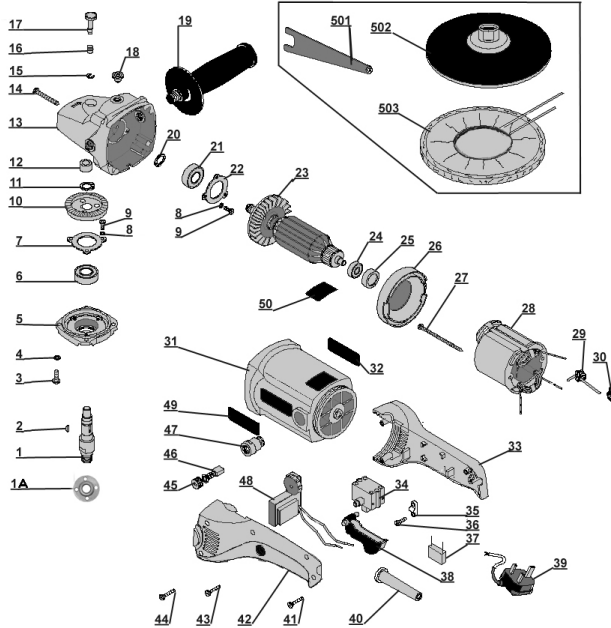




Parts Information:
Sander/Polisher 170mm 6-Speed
"MoreTools Brand"
Model No: MTSP



Item	Part No.	Description
1A	MS900PS.01A	Pad Nut
1	MS900PS.01	Spindle
2	MS900PS.02	Spindle Key 4x5x13
3	MS900PS.03	Screw M5 x 16
4	SWM5.SB	Spring Washer M5 Black (Single)
5	MS900PS.05	Gear Housing Cover
6	B/6002-2RS	Bearing 6002-2RS
7	MS900PS.07	Bearing Cover
8	SWM4.SB	Spring Washer M4 Black (Single)
9	MS900PS.09	Screw M4x10
10	MS900PS.10	Big Gear
11	MS900PS.11	Ext Circlip 15.6mm OD.
12	MS900PS.12	Bronze Bushing
13	MS900PS.13	Reducer
14	MS900PS.14	RD Head S/T Screw M4.8 x 35
15	MS900PS.15	E-Ring
16	MS900PS.16	Brake Spring
17	MS900PS.17	Brake Pin
18	MS900PS.18	Rubber Plunge
19	MS900PS.19	Side Handle
20	MS900PS.20	Circlip For Shaft
21	B/6201-2RS	Bearing 6201-2RS
22	MS900PS.22	Bearing Cover
23	MTSP.23	Armature
24	B/608ZZ	Bearing 608ZZ
25	MS900PS.25	Rubber Bearing Sleeve
26	MS900PS.26	Guide Wind Circle

Item	Part No.	Description
27	MS900PS.27	RD Head S/T Screw M4x75
28	MS900PS.28	Stator
29	MS900PS.29	Inductance
30	MS900PS.30	Connection Spring
31	MS900PS.31	Housing
32	MTSP.32	Type Plate
33	MS900PS.33	Back Handle (Right)
34	MS900PS.34	Switch 12A 250V
35	MS900PS.35	Cord Clip
36	MS900PS.36	RD Head S/T Screw M4x14
37	MS900PS.37	Capacitor 0.33UF
38	MS900PS.38	Switch Button
39	MC2CX1.0	Mains Cable Blk, 2 Core, 1.0mm ²
40	MS900PS.40	Rubber Sleeve
41	MS900PS.41	Screw ST4x14F
42	MS900PS.42	Back Handle (Left)
43	MS900PS.43	RD Head S/T Screw M4x18
44	MS900PS.44	Screw ST4x22F
45	MS900PS.45	Brush Cap
46	MS900PS.46	Carbon Brush (Single)
47	MS900PS.47	Brush Holder
48	MS900PS.48	Timing Switch
49	MTSP.49	Name Plate 1
50	MTSP.50	Name Plate 2
501	MS900PS.501	Spanner 22mm
502	MS900PS.502	Polishing Disc
503	MS900PS.503	Woolen Fabrics Cover

NOTE: It is our policy to continually improve products and as such we reserve the right to alter data, specifications and component parts without prior notice.

IMPORTANT: No liability is accepted for incorrect use of product.

WARRANTY: Guarantee is 12 months from purchase date, proof of which will be required for any claim.

Sealey Group, Kempson Way, Suffolk Business Park, Bury St Edmunds, Suffolk. IP32 7AR



01284 757500



01284 703534



sales@sealey.co.uk



www.sealey.co.uk