

Issue: 1
Issue Date: 20/09/2013

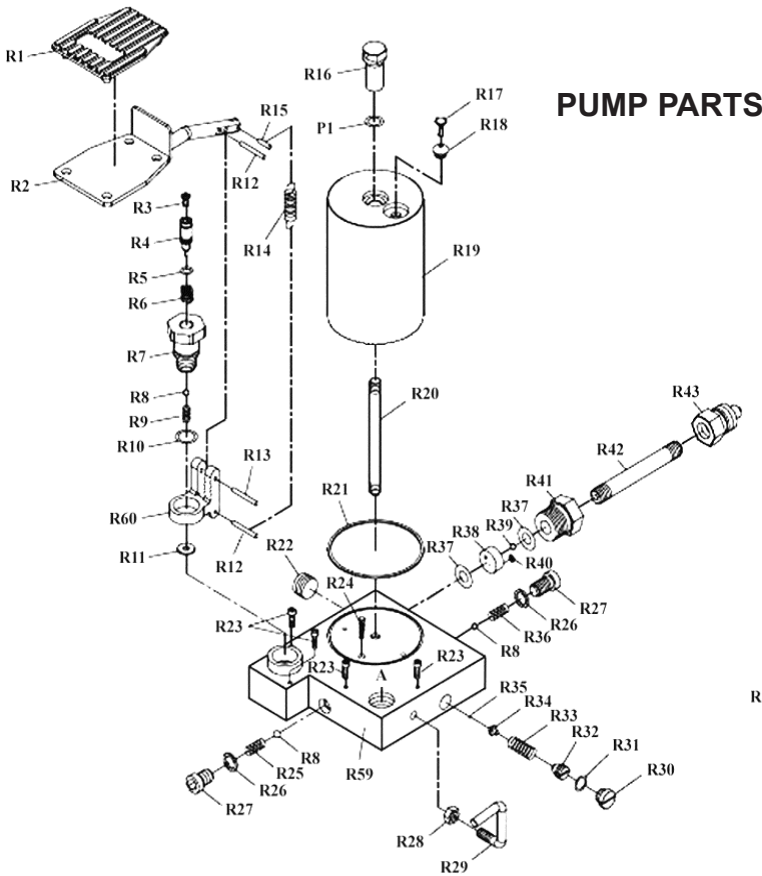
ITEM	PART NO	DESCRIPTION	ITEM	PART NO	DESCRIPTION
K01	MT700.V2-K01	PUMP	K16	MT700.V2-K16	PIN
K02	MT700.V2-K02	BLOCK	K17	MT700.V2-K17	CIRCLIP
K03	MT700.V2-K03	SCREW	K18	MT700.V2-K18	HALF BLOCK
K04	MT700.V2-K04	WASHER	K19	MT700.V2-K19	BOLT
K05	MT700.V2-K05	SPRING WASHER	K20	MT700.V2-K20	CIRCLIP
K06	MT700.V2-K06	BOLT	K21	MT700.V2-K21	LOCKING FRAME PLATE
K07	MT700.V2-K07	CIRCLIP	K22	MT700.V2-K22	LOCKING FRAME
K08	MT700.V2-K08	PIN	K23	MT700.V2-K23	SPLIT PIN
K09	MT700.V2-K09	NUT	K24	MT700.V2-K24	R-PIN
K10	MT700.V2-K10	U-BOLT	K25	MT700.V2-K25	MAIN ARM
K11	MT700.V3-K11	OVERRUN GUARD	K26	MT700.V2-K26	BASE
K12	MT700.V3-K12	TABLE	K27	MT700.V2-K27	SCREW
K13	MT700.V3-K13	LOADING RAMP	K28	MT700.V2-K28	TABLE SUPPORT
K14	MT700.V2-K14	ARM (2nd)	K29	MT700.V2-K29	SCREW
K15	MT700.V2-K15	RAM			

NOTE: It is our policy to continually improve products and as such we reserve the right to alter data, specifications and component parts without prior notice.

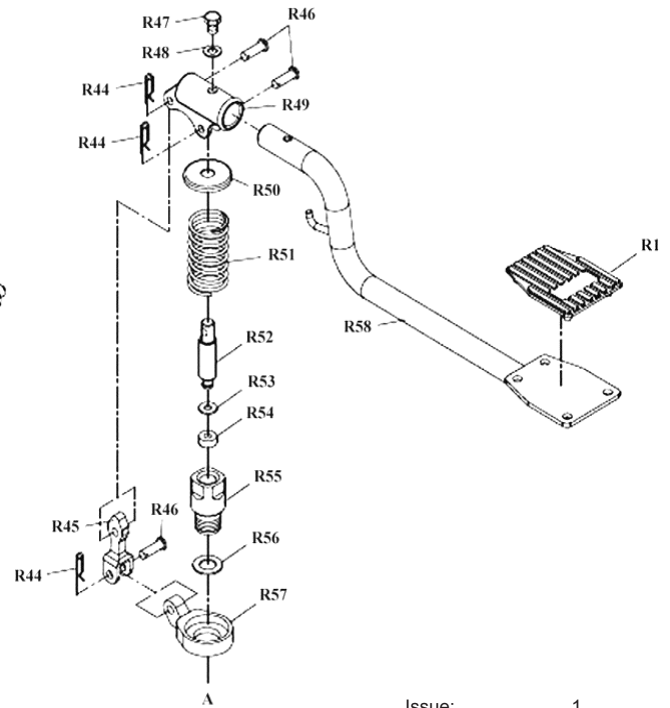
IMPORTANT: No liability is accepted for incorrect use of product.

WARRANTY: Guarantee is 12 months from purchase date, proof of which will be required for any claim.

INFORMATION: For a copy of our latest catalogue and promotions call us on 01284 757525 and leave your full name and address, including postcode.



PUMP PARTS

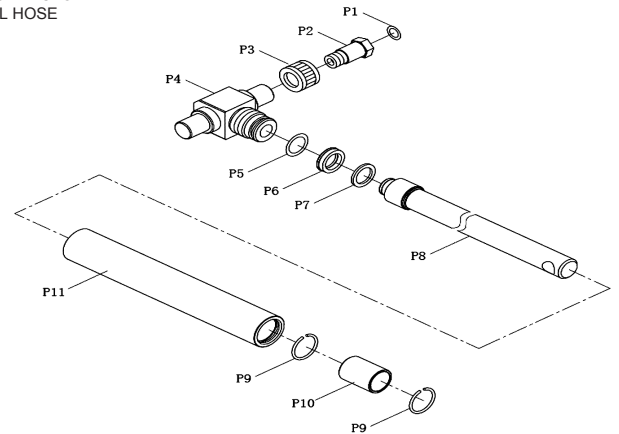


Issue: 1
Issue Date: 20/09/2013

ITEM	PART NO	DESCRIPTION	ITEM	PART NO	DESCRIPTION	ITEM	PART NO	DESCRIPTION
R01	MT700.V2-R01	FOOT PEDAL PAD	R22	MT700.V2-R22	GRUB SCREW	R43	MT700.V2-R43	CONNECTOR
R02	MT700.V2-R02	FOOT PEDAL RELEASE	R23	MT700.V2-R23	SCREW	R44	MT700.V2-R44	R-PIN
R03	MT700.V2-R03	SCREW	R24	MT700.V2-R24	COPPER MESH	R45	MT700.V2-R45	ROD
R04	MT700.V2-R04	RELEASE VALVE CORE	R25	MT700.V2-R25	SPRING	R46	MT700.V2-R46	PIN
R05	MT700.V2-R05	O-RING	R26	MT700.V2-R26	WASHER	R47	MT700.V2-R47	SCREW
R06	MT700.V2-R06	SPRING	R27	MT700.V2-R27	SCREW	R48	MT700.V2-R48	WASHER
R07	MT700.V2-R07	RELEASE VALVE	R28	MT700.V2-R28	NUT	R49	MT700.V2-R49	HANDLE BASE
R08	MT700.V2-R08	STEEL BALL	R29	MT700.V2-R29	SCREW	R50	MT700.V2-R50	SPRING COVER
R09	MT700.V2-R09	SPRING	R30	MT700.V2-R30	SCREW	R51	MT700.V2-R51	SPRING
R10	MT700.V2-R10	O-RING	R31	MT700.V2-R31	O-RING	R52	MT700.V2-R52	PUMP CORE
R11	MT700.V2-R11	COPPER WASHER	R32	MT700.V2-R32	SCREW	R53	MT700.V2-R53	WASHER
R12	MT700.V2-R12	SPRING PIN	R33	MT700.V2-R33	SPRING	R54	MT700.V2-R54	U-SEAL
R13	MT700.V2-R13	SPRING PIN	R34	MT700.V2-R34	BALL BASE	R55	MT700.V2-R55	PUMP CORE
R14	MT700.V2-R14	SPRING	R35	MT700.V2-R35	STEEL BALL	R56	MT700.V2-R56	WASHER
R15	MT700.V2-R15	SPRING PIN	R36	MT700.V2-R36	SPRING	R57	MT700.V2-R57	ROD BASE
R16	MT700.V2-R16	SCREW	R37	MT700.V2-R37	WASHER	R58	MT700.V2-R58	FOOT PEDAL
R17	MT700.V2-R17	VALVE ROD	R38	MT700.V2-R38	VALVE PLATE			ASSEMBLY
R18	MT700.V2-R18	OIL PLUG	R39	MT700.V2-R39	STEEL BALL			
R19	MT700.V2-R19	CYLINDER	R40	MT700.V2-R40	COPPER MESH			
R20	MT700.V2-R20	SHAFT	R41	MT700.V2-R41	CONNECTOR			
R21	MT700.V2-R21	WASHER (NYLON)	R42	MT700.V2-R42	OIL HOSE			
R22	MT700.V2-R22	GRUB SCREW						
R23	MT700.V2-R23	SCREW						
R24	MT700.V2-R24	COPPER MESH						
R25	MT700.V2-R25	SPRING						
R26	MT700.V2-R26	WASHER						
R27	MT700.V2-R27	SCREW						
R28	MT700.V2-R28	NUT						
R29	MT700.V2-R29	SCREW						
R30	MT700.V2-R30	SCREW						
R31	MT700.V2-R31	O-RING						
R32	MT700.V2-R32	SCREW						
R33	MT700.V2-R33	SPRING						
R34	MT700.V2-R34	BALL BASE						
R35	MT700.V2-R35	STEEL BALL						
R36	MT700.V2-R36	SPRING						
R37	MT700.V2-R37	WASHER						
R38	MT700.V2-R38	VALVE PLATE						
R39	MT700.V2-R39	STEEL BALL						
R40	MT700.V2-R40	COPPER MESH						
R41	MT700.V2-R41	CONNECTOR						
R42	MT700.V2-R42	OIL HOSE						
R43	MT700.V2-R43	CONNECTOR						
R44	MT700.V2-R44	R-PIN						
R45	MT700.V2-R45	ROD						
R46	MT700.V2-R46	PIN						
R47	MT700.V2-R47	SCREW						
R48	MT700.V2-R48	WASHER						
R49	MT700.V2-R49	HANDLE BASE						
R50	MT700.V2-R50	SPRING COVER						
R51	MT700.V2-R51	SPRING						
R52	MT700.V2-R52	PUMP CORE						
R53	MT700.V2-R53	WASHER						
R54	MT700.V2-R54	U-SEAL						
R55	MT700.V2-R55	PUMP CORE						
R56	MT700.V2-R56	WASHER						
R57	MT700.V2-R57	ROD BASE						
R58	MT700.V2-R58	FOOT PEDAL						
R59	MT700.V2-R59	PUMP						
R60	MT700.V2-R60	RELEASE VALVE BASE						

RAM PARTS

ITEM	PART NO	DESCRIPTION
P01	MT700.V2-P01	O-RING
P02	MT700.V2-P02	RAM CONNECTOR
P03	MT700.V2-P03	ROUND NUT
P04	MT700.V2-P04	RAM BASE
P05	MT700.V2-P05	O-RING
P06	MT700.V2-P06	U-SEAL
P07	MT700.V2-P07	SEAL
P08	MT700.V2-P08	PISTON ROD
P09	MT700.V2-P09	CIRCLIP
P10	MT700.V2-P10	BEARING
P11	MT700.V2-P11	RAM CYLINDER



NOTE: It is our policy to continually improve products and as such we reserve the right to alter data, specifications and component parts without prior notice.

IMPORTANT: No liability is accepted for incorrect use of product.

WARRANTY: Guarantee is 12 months from purchase date, proof of which will be required for any claim.

INFORMATION: For a copy of our latest catalogue and promotions call us on 01284 757525 and leave your full name and address, including postcode.