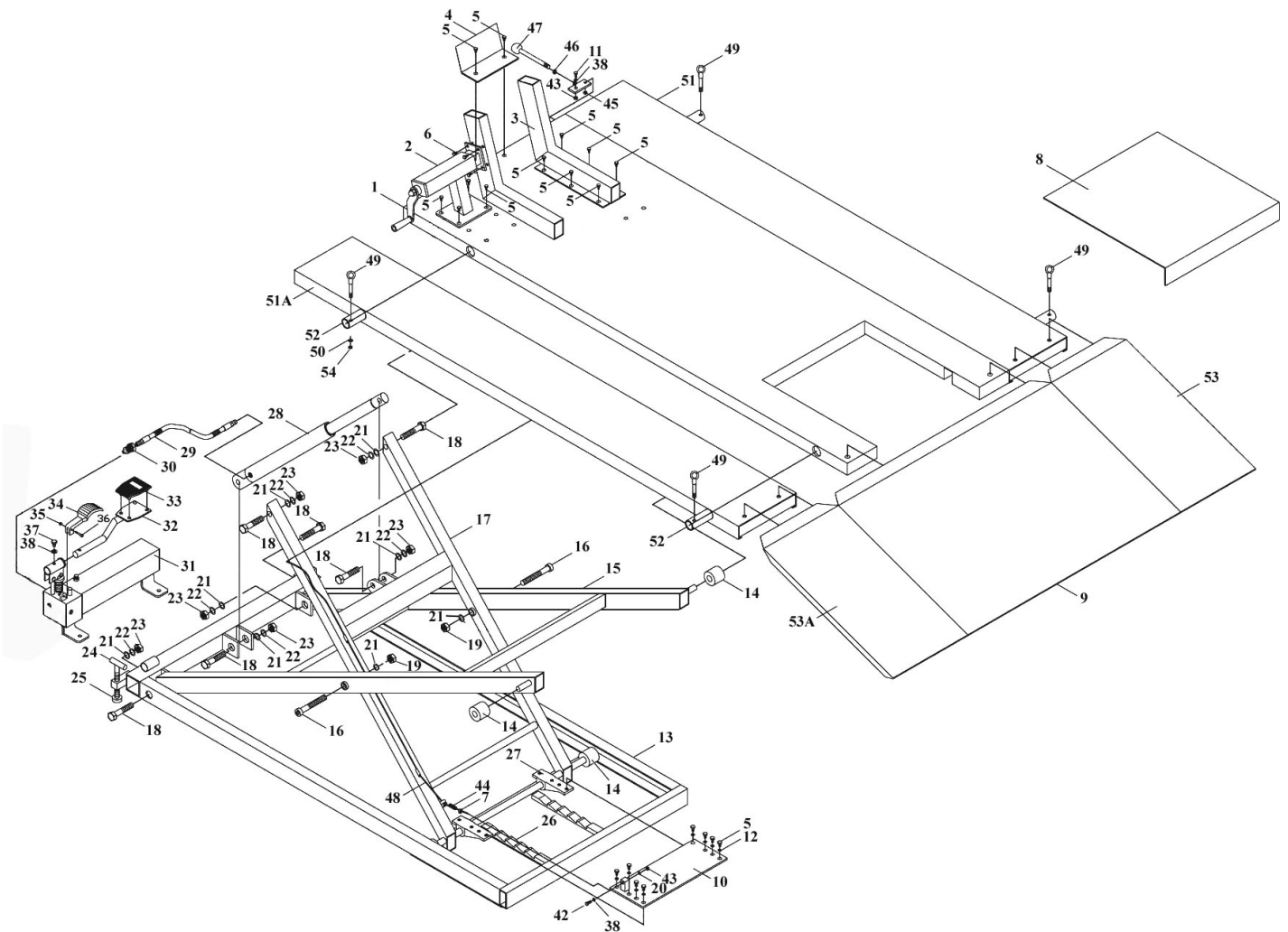




Parts Information:  
Mini Tractor/Quad/Motorcycle Lift 680kg  
Capacity Hydraulic  
Model No: MT680.V2



**NOTE:** It is our policy to continually improve products and as such we reserve the right to alter data, specifications and component parts without prior notice.

**IMPORTANT:** No liability is accepted for incorrect use of product.

**WARRANTY:** Guarantee is 12 months from purchase date, proof of which will be required for any claim.

Sealey Group, Kempson Way, Suffolk Business Park, Bury St Edmunds, Suffolk. IP32 7AR



01284 757500



01284 703534



sales@sealey.co.uk



www.sealey.co.uk



Parts Information:  
Mini Tractor/Quad/Motorcycle Lift 680kg  
Capacity Hydraulic  
Model No: MT680.V2

1	MT680.01	PLATFORM
2	MT680.V2-02	CRANK HANDLE ASS'Y
3	MT680.V2-03	WHEEL CLAMP (RIGHT)
--	MT680.V2-03A	WHEEL CLAMP (LEFT) (NOT SHOWN)
4	MT680.V2-04	BAFFLE PLATE
5	MT680.V2-05	M10X20 HEX HEAD BOLT BZP
6	SS816.S	HEX HEAD SET SCREW M8x16mm SINGLE
7	SN10.S	STEEL NUT M10 ZINC DIN934(SINGLE)
8	MT680.V3-08	SLIDING PLATE
9	MT680.V2-09	LEADING PLATE
10	MT680.V4-10	SAFETY PLATE ASS'Y
11	MT680.V2-11	BOLT M8X20
12	FWM16.S	FLAT WASHER M16 SINGLE
13	MT680.V2-13	BASE ASS'Y
14	MT680.V4-14	WHEEL, FIXED (48x19x39)
15	MT680.V2-15	LIFTING ARM 1
16	MT680.V2-16	SKT. HD BOLT M16X140
17	MT680.V2-17	LIFTING ARM 2
18	HHB1690.S	HEX HEAD BOLT M16x90mm SINGLE
19	NLN16.S	NYLOC NUT M16 ZINC DIN 985 (SINGLE)
20	MT680.V2-20	M8 SPRING WASHER BZP
21	FWM10.S	FLAT WASHER M10 SINGLE
22	SWM16.S	SPRING WASHER M16 ZINC (SINGLE)
23	SN16.S	STEEL NUT M16 ZINC DIN934(SINGLE)
24	MT680.V4-24	ADJUSTING SCREW
25	MT680.V4-25	ROTATABLE FOOT
26	MT680.V2-13	BASE ASS'Y
27	MT680.V2-17	LIFTING ARM 2
28	MT680.V2-28	CYLINDER
29	MT680.V4-28	HYDRAULIC HOSE

Item	Part No.	Description
30	MT680.V2-30	COUPLER
31	MT680.V2-31	PUMP
32	MT680.V2-32	LIFT FOOT PEDAL
33	MT680.V2-32	LIFT FOOT PEDAL
34	MT680.V2-34	RELEASE FOOT PEDAL
35	NLN6.S	NYLOC NUT M6 ZINC DIN 985 (SINGLE)
36	MT680.V2-36	BOLT M8X30
37	SS812.S	HEX HEAD SET SCREW M8x12mm SINGLE
38	FWM8.S	FLAT WASHER M8 SINGLE
--	MT680.V4-45	AIR HOSE (NOT SHOWN)
--	MT680.V4-46	AIR VALVE (NOT SHOWN)
--	MT680.V2-41	COUPLER (NOT SHOWN)
42	SS830.S	HEX HEAD SET SCREW M8x30mm SINGLE
43	NLN8.S	NYLOC NUT M8 ZINC DIN 985 (SINGLE)
44	MT680.V2-44	SCREW
45	NLN10.S	NYLOC NUT M10 ZINC (SINGLE)
46	SN12.S	STEEL NUT M12 ZINC DIN934(SINGLE)
47	MT680.V4-36	SAFETY HANDLE
48	MT680.V4-37	SAFETY WIRE
49	MT680.V4-44	POSITION PIN
50	FWM8.S	FLAT WASHER M8 SINGLE
51	MT680.V2-51	SIDE EXTENSION (RIGHT)
51A	MT680.V2-51A	SIDE EXTENSION (LEFT)
52	MT680.V2-52	EXTENSION PANEL PIPE
53	MT680.V2-53	RAMP EXTENSION (RIGHT)
53A	MT680.V2-53A	RAMP EXTENSION (LEFT)
54	NLN10.S	NYLOC NUT M10 ZINC (SINGLE)

**NOTE:** It is our policy to continually improve products and as such we reserve the right to alter data, specifications and component parts without prior notice.

**IMPORTANT:** No liability is accepted for incorrect use of product.

**WARRANTY:** Guarantee is 12 months from purchase date, proof of which will be required for any claim.

Sealey Group, Kempson Way, Suffolk Business Park, Bury St Edmunds, Suffolk. IP32 7AR



01284 757500



01284 703534



sales@sealey.co.uk



www.sealey.co.uk