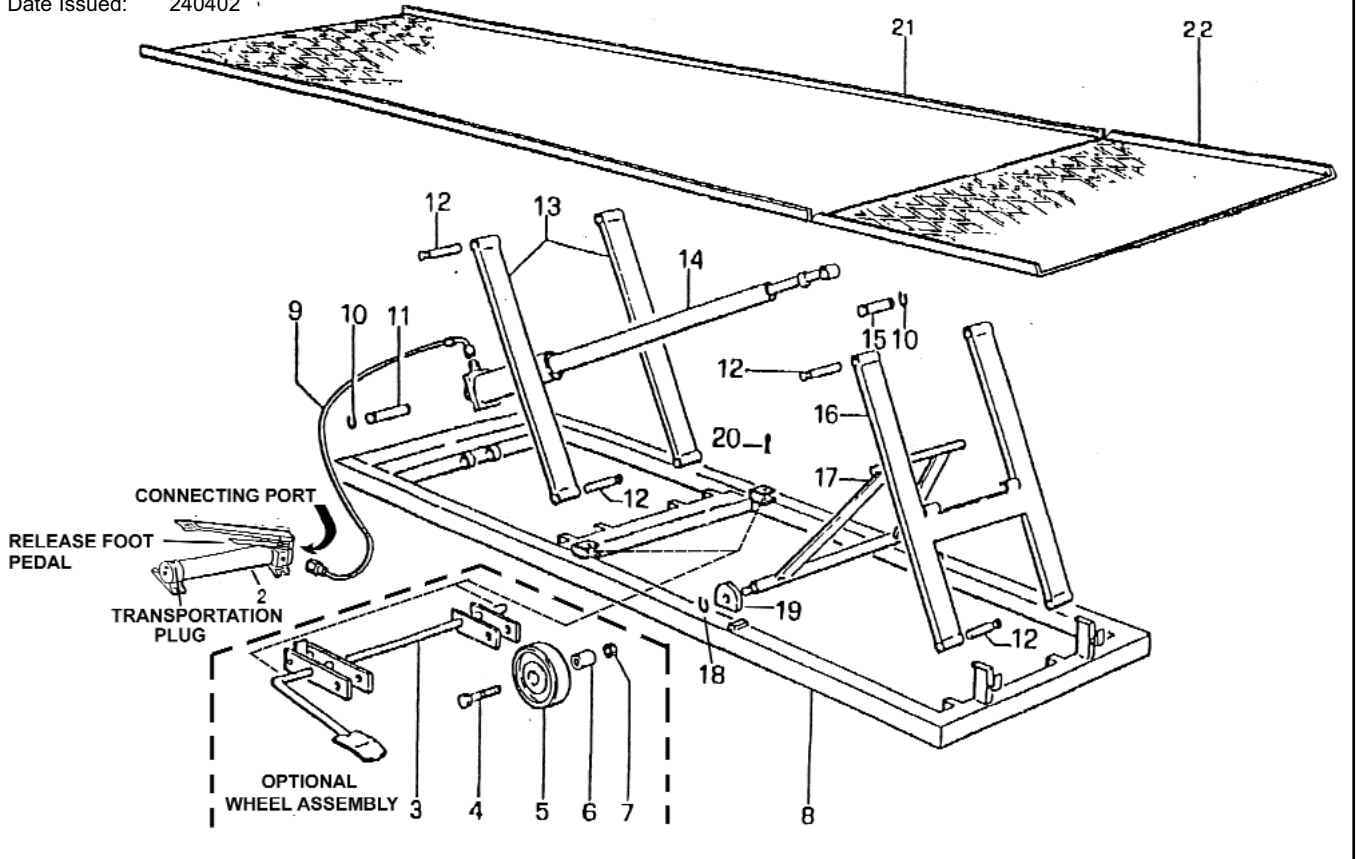


Issue No: 1  
 Date Issued: 240402



Note: Items 3, 4, 5, 6 & 7 are available as an optional extra and require quantity 2 of item 20 in order to fit to the frame.

Item	Part No.	Description
2	180/615D-6-H1	Foot Pump
8	180/607-1-C1	Frame
9	180/607T-6-C37	Flexible Hose
10	180/V172001	Circlip, E20
11	180/607-6-C39	Pin
12	180/607-0-C41	Pin
13	180/607-1-C25	Arm
14	180/607-6-C44	Hydraulic Ram
15	180/607-0-C40	Pin
16	180/607-1-C22	Arm

Item	Part No.	Description
17	180/607-1-C26	Safety Device
18	180/V171002	Circlip, E10
19	180/607-0-C42	Skid
20	180/V79402	Elastic Pin, 4 x 40
21	180/607-1-C95	Working Table
22	180/607-0-C96	Mobile Ramp
-	180/615B-6-H10	Repair Kit, Foot Pump
-	180/607-6-C84	Repair Kit, Ram
-	180/607T-6-L2	Descent Valve