

| Item | Part No. | Description |
|------|--------------|---|
| K1 | MT700.V2-K01 | PUMP |
| K2 | MT700.V2-K02 | BLOCK |
| K3 | MSC615.S | CSK PHILLIPS MACHINE SCREW M6x15 (SINGLE) |
| K4 | FWM10.S | FLAT WASHER M10 SINGLE |
| K5 | SWM10.S | SPRING WASHER M10 ZINC (SINGLE) |
| K6 | MT700.V2-K06 | BOLT M10X30 |
| K7 | MT700.V2-K07 | CIRCLIP |
| K8 | MT700.V2-K08 | PIN |
| K9 | SN8.S | STEEL NUT M8 ZINC DIN934 (SINGLE) |
| K10 | MT700.V2-K10 | U-BOLT |
| K11 | MT700.V2-K11 | OVERRUN GUARD |
| K12 | MT400.V2-K12 | TABLE |
| K13 | MT400.V2-K13 | LOADING RAMP |
| K14 | MT400.V2-K14 | ARM (2nd) |
| K15 | MT400.V2-K15 | RAM |

| Item | Part No. | Description |
|------|--------------|------------------------|
| K16 | MT700.V2-K16 | PIN |
| K17 | MT700.V2-K17 | CIRCLIP |
| K18 | MT700.V2-K18 | HALF BLOCK |
| K19 | MT700.V2-K19 | SKT. HD BOLT M8X34 |
| K20 | MT700.V2-K20 | CIRCLIP |
| K21 | MT700.V2-K21 | LOCKING FRAME PLATE |
| K22 | MT400.V2-K22 | LOCKING FRAME |
| K23 | MT700.V2-K23 | SPLIT PIN |
| K24 | MT700.V2-K24 | R-PIN |
| K25 | MT400.V2-K25 | MAIN ARM |
| K26 | MT400.V2-K26 | BASE |
| K27 | MT700.V2-K27 | SCREW |
| K28 | MT700.V2-K28 | TABLE SUPPORT |
| K29 | MT700.V2-K29 | SCREW |
| -- | MT400.V2-RK | REPAIR KIT (NOT SHOWN) |

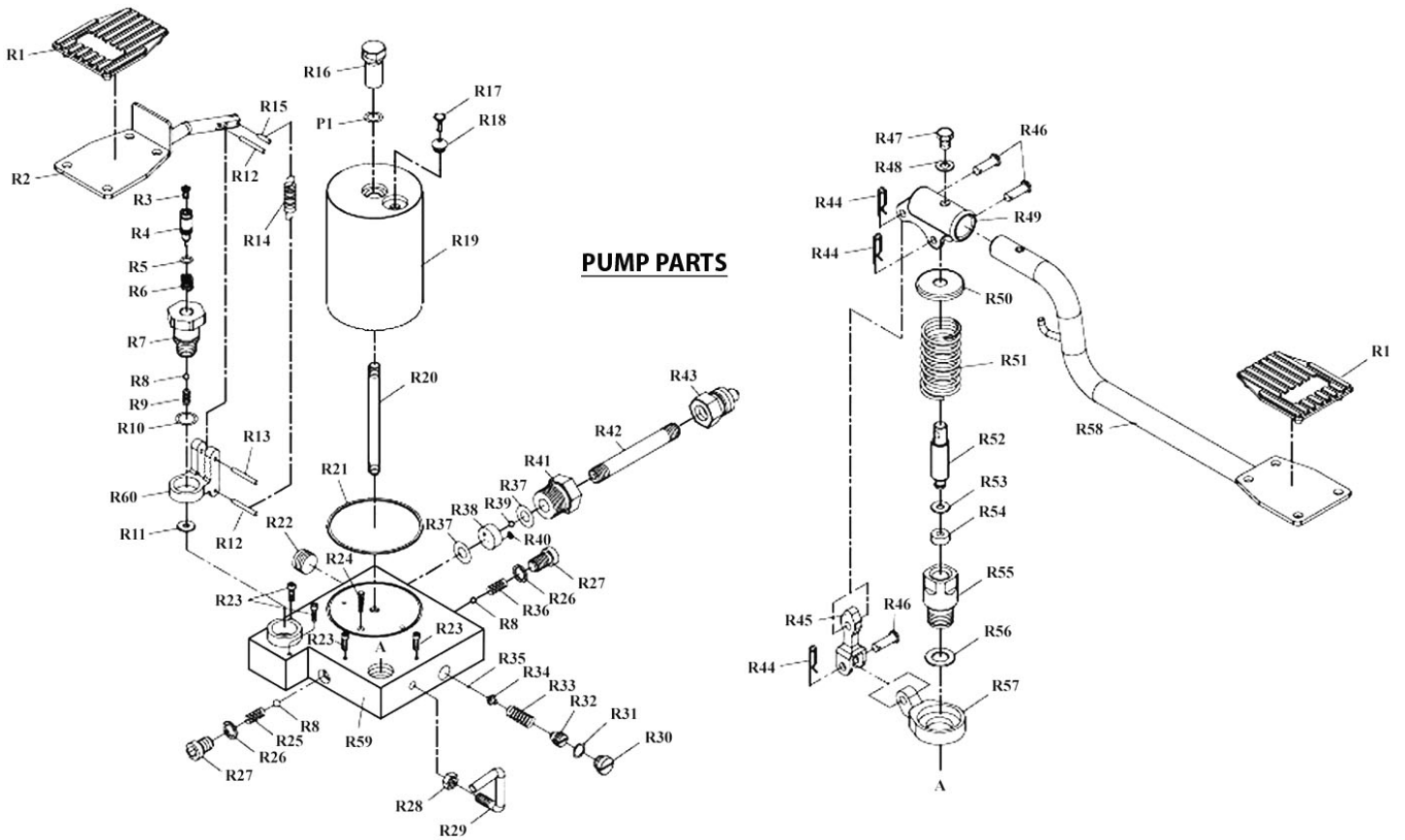
NOTE: It is our policy to continually improve products and as such we reserve the right to alter data, specifications and component parts without prior notice.

IMPORTANT: No liability is accepted for incorrect use of product.

WARRANTY: Guarantee is 12 months from purchase date, proof of which will be required for any claim.



Parts Information:
Mini Tractor/Quad/Motorcycle Lift 400kg
Capacity Hydraulic
Model No: MT400.V2



NOTE: It is our policy to continually improve products and as such we reserve the right to alter data, specifications and component parts without prior notice.

IMPORTANT: No liability is accepted for incorrect use of product.

WARRANTY: Guarantee is 12 months from purchase date, proof of which will be required for any claim.

Sealey Group, Kempson Way, Suffolk Business Park, Bury St Edmunds, Suffolk. IP32 7AR



01284 757500



01284 703534



sales@sealey.co.uk



www.sealey.co.uk



Parts Information:
Mini Tractor/Quad/Motorcycle Lift 400kg
Capacity Hydraulic
Model No: MT400.V2

| Item | Part No. | Description |
|------|--------------|-----------------------------------|
| R1 | MT700.V2-R01 | FOOT PEDAL PAD |
| R2 | MT700.V2-R02 | FOOT PEDAL, RELEASE |
| R3 | MT700.V2-R03 | FLANGE BOLT 5/16 UNC X 1-1/4" |
| R4 | MT700.V2-R04 | RELEASE VALVE CORE |
| R5 | MT700.V2-R05 | O-RING |
| R6 | MT700.V2-R06 | SPRING |
| R7 | MT700.V2-R07 | RELEASE VALVE |
| R8 | SB-5.6 | STEEL BALL 5.6mm |
| R9 | MT700.V2-R09 | SPRING |
| R10 | MT700.V2-R10 | O-RING |
| R11 | MT700.V2-R11 | COPPER WASHER |
| R12 | MT700.V2-R12 | SPRING PIN |
| R13 | MT700.V2-R13 | SPRING PIN M4.2 X 25 ZINC |
| R14 | MT700.V2-R14 | SPRING |
| R15 | MT700.V2-R15 | SPRING PIN M3.3 X 12 ZINC |
| R16 | MT700.V2-R16 | SCREW |
| R17 | MT700.V2-R17 | VALVE ROD |
| R18 | MT700.V2-R18 | OIL PLUG |
| R19 | MT700.V2-R59 | PUMP BASE (C/W CYLINDER) |
| R20 | MT700.V2-R20 | SHAFT |
| R21 | MT700.V2-R21 | WASHER (NYLON) |
| R22 | MT700.V2-R22 | GRUB SCREW |
| R23 | MT700.V2-R23 | SCREW |
| R24 | MT700.V2-R24 | COPPER MESH |
| R25 | MT700.V2-R25 | SPRING |
| R26 | MT700.V2-R26 | WASHER |
| R27 | MT700.V2-R27 | SCREW |
| R28 | SN8.S | STEEL NUT M8 ZINC DIN934 (SINGLE) |
| R29 | MT700.V2-R29 | SCREW |
| R30 | MT700.V2-R30 | SCREW |

| Item | Part No. | Description |
|------|--------------|-----------------------------------|
| R31 | MT700.V2-R31 | O-RING |
| R32 | MT700.V2-R32 | SCREW |
| R33 | MT700.V2-R33 | SPRING |
| R34 | MT700.V2-R34 | BALL BASE |
| R35 | SB-3.2 | STEEL BALL 3.2mm |
| R36 | MT700.V2-R36 | SPRING |
| R37 | FWM8.S | FLAT WASHER M8 SINGLE |
| R38 | MT700.V2-R38 | VALVE PLATE |
| R39 | SB-5.6 | STEEL BALL 5.6mm |
| R40 | MT700.V2-R40 | COPPER MESH |
| R41 | MT700.V2-R41 | CONNECTOR |
| R42 | MT700.V2-R42 | OIL HOSE |
| R43 | MT700.V2-R43 | CONNECTOR |
| R44 | MT700.V2-R44 | R-PIN |
| R45 | MT700.V2-R45 | ROD |
| R46 | MT700.V2-R46 | PIN |
| R47 | SS812.S | HEX HEAD SET SCREW M8x12mm SINGLE |
| R48 | FWM8.S | FLAT WASHER M8 SINGLE |
| R49 | MT700.V2-R49 | HANDLE BASE |
| R50 | MT700.V2-R50 | SPRING COVER |
| R51 | MT700.V2-R51 | SPRING |
| R52 | MT700.V2-R52 | PUMP CORE |
| R53 | MT700.V2-R53 | WHITE NYLON WASHER |
| R54 | MT700.V2-R54 | U-SEAL |
| R55 | MT700.V2-R55 | PUMP CORE |
| R56 | MT700.V2-R56 | COPPER WASHER |
| R57 | MT700.V2-R57 | ROD BASE |
| R58 | MT700.V2-R58 | FOOT PEDAL, LIFT |
| R59 | MT700.V2-R59 | PUMP BASE (C/W CYLINDER) |
| R60 | MT700.V2-R60 | RELEASE VALVE BASE |

NOTE: It is our policy to continually improve products and as such we reserve the right to alter data, specifications and component parts without prior notice.

IMPORTANT: No liability is accepted for incorrect use of product.

WARRANTY: Guarantee is 12 months from purchase date, proof of which will be required for any claim.

Sealey Group, Kempson Way, Suffolk Business Park, Bury St Edmunds, Suffolk. IP32 7AR



01284 757500



01284 703534

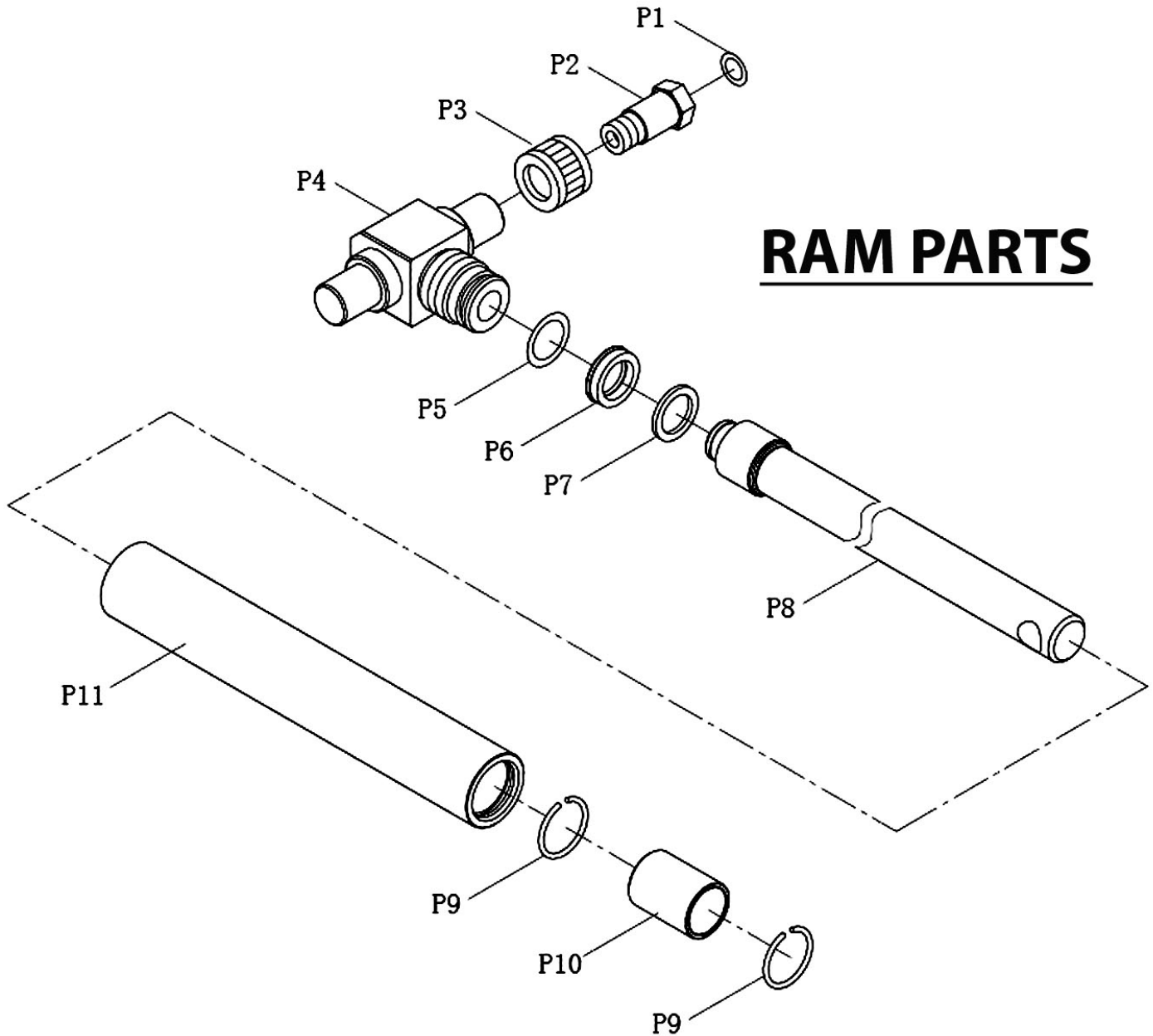


sales@sealey.co.uk



www.sealey.co.uk

RAM PARTS



| Item | Part No. | Description |
|------|--------------|---------------|
| P1 | MT700.V2-P01 | O-RING |
| P2 | MT700.V2-P02 | RAM CONNECTOR |
| P3 | MT700.V2-P03 | ROUND NUT |
| P4 | MT700.V2-P04 | RAM BASE |
| P5 | MT700.V2-P05 | O-RING |
| P6 | MT700.V2-P06 | U-SEAL |

| Item | Part No. | Description |
|------|--------------|----------------|
| P7 | MT700.V2-P07 | SEAL |
| P8 | MT700.V2-P08 | PISTON ROD |
| P9 | MT700.V2-P09 | CIRCLIP |
| P10 | MT700.V2-P10 | BEARING SLEEVE |
| P11 | MT400.V2-P11 | RAM CYLINDER |

NOTE: It is our policy to continually improve products and as such we reserve the right to alter data, specifications and component parts without prior notice.

IMPORTANT: No liability is accepted for incorrect use of product.

WARRANTY: Guarantee is 12 months from purchase date, proof of which will be required for any claim.