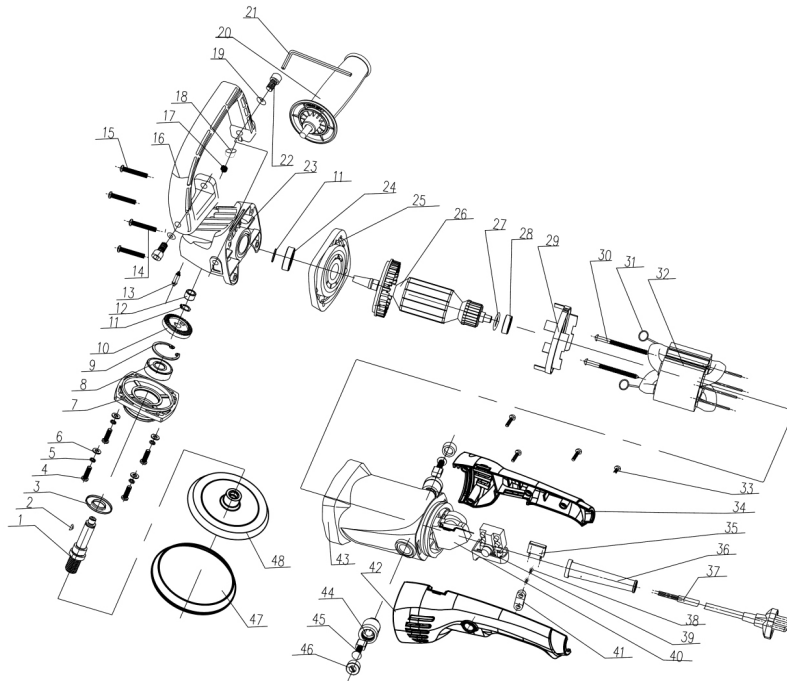




Parts Information:  
**Sander/Polisher Ø180mm Variable Speed**  
**1200W/230V**  
**Model No: MS875PS**



Item	Part No.	Description
1	MS875PS.01	OUTPUT SHAFT
2	MS875PS.02	WOODRUFF KEY (4x13)
3	MS875PS.03	DUST COVER
4	MS875PS.04	SCREW M5x13
5	MS875PS.05	SPRING WASHER M5
6	MS875PS.06	FLAT WASHER M5
7	MS875PS.07	FRONT COVER
8	B/6201	BEARING 6201
9	MS875PS.09	CIRCLIP 32mm
10	MS875PS.10	GEAR
11	MS875PS.11	CIRCLIP 12mm
12	B/HK0808	NEEDLE BEARING HK0808
13	MS875PS.13	LOCK PIN
14	MS875PS.14	SCREW ST5x30-F
15	MS875PS.15	SCREW ST5x45-F
16	MS875PS.16	MAIN HANDLE (G-SHAPE)
17	MS875PS.17	LOCK PIN SPRING
18	MS875PS.18	LOCK PIN BUTTON
19	MS875PS.19	SPACER
20	MS875PS.20	SIDE HANDLE
21	MS875PS.21	HEX KEY WRENCH
22	MS875PS.22	HEX HEAD SOCKET SCREW M8x16
23	MS875PS.23	GEARCASE
24	B/6001	BEARING 6001

Item	Part No.	Description
25	MS875PS.25	MIDDLE COVER
26	MS875PS.26	ROTOR
27	MS875PS.27	INSULATION PIECE
28	B/608Z	BEARING 608Z
29	MS875PS.29	AIR GUIDE
30	MS875PS.30	SCREW ST5x65-F
31	MS875PS.31	TENSION SPRING
32	MS875PS.32	STATOR
33	MS875PS.33	SCREW ST4x16
34	MS875PS.34	HANDLE GRIP, RIGHT
35	MS875PS.35	CAPACITOR
36	MS875PS.36	CABLE SLEEVE
37	MS875PS.37	CABLE
38	MS875PS.38	SCREW ST4x14-F
39	MS875PS.39	SWITCH
40	MS875PS.40	SPEED REGULATOR
41	MS875PS.41	CABLE CLAMP
42	MS875PS.42	HANDLE GRIP, LEFT
43	MS875PS.43	MOTOR HOUSING
44	MS875PS.44	BRUSH HOLDER
45	MS875PS.45	CARBON BRUSH
46	MS875PS.46	BRUSH HOLDER CAP
47	MS875PS.47	WOOLEN WHEEL
48	MS875PS.48	POLISHING DISC

**NOTE:** It is our policy to continually improve products and as such we reserve the right to alter data, specifications and component parts without prior notice.

**IMPORTANT:** No liability is accepted for incorrect use of product.

**WARRANTY:** Guarantee is 12 months from purchase date, proof of which will be required for any claim.

**Sealey Group**, Kempson Way, Suffolk Business Park, Bury St Edmunds, Suffolk. IP32 7AR



01284 757500



01284 703534



sales@sealey.co.uk



www.sealey.co.uk